

# CERTIFICATE OF LOCATION OF GOVERNMENT CORNER

Corner to Section 3 Township 113 N Range 39, W No. \_\_\_\_\_

STATE OF MINNESOTA,

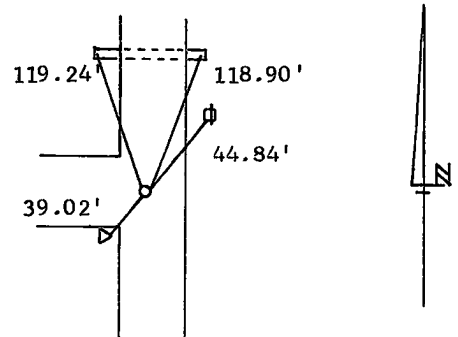
County of Yellow Medicine S.S.

I hereby certify that on the 19th day of August 1976,  
 that I, Lyle E. Moseng, a Registered Land Surveyor, ~~County Surveyor,~~  
~~County Highway Engineer,~~ <sup>SET</sup> found the Northeast corner of Section 3  
~~which was evidenced by~~ ~~XXXXXX~~ with ties from Yellow Medicine Co.

Hwy Dept we dug and found nothing and I further certify that to perpetuate the  
 location of such corner I did, at the exact location thereof, place a permanent  
 marker consisting of #4 rebar w/seal.

I further certify that I established 4 references or witness monuments consist-  
 ing of a power pole, a yeild sign & both ends CMP which reference or witness monuments are  
 located in the manner following.

- |                                     |              |
|-------------------------------------|--------------|
| East end of a 18" CMP               | NE 118.90 ft |
| Dh nail & bc in PP                  | NE 44.84 ft  |
| Center of steel post for yeild sign | SW 39.02 ft  |
| West end of a 18" CMP               | NW 119.24 ft |



Dated at Marshall, Minnesota, this 27th day of May, 1980.

**183000**  
 OFFICE OF THE REGISTER OF DEEDS  
 County of Yellow Medicine

Lyle E. Moseng  
~~County Surveyor, County Highway Engineer,~~  
 Registered Land Surveyor No. 11943

I hereby certify that the within instrument was filed in this office for  
 record on the 16 day of November A.D., 1983, at 1:50 o'clock P.M.

Norman J. Opdahl, County Recorder  
 Register of Deeds  
 by Kay Nordahl Deputy