

# CERTIFICATE OF LOCATION OF GOVERNMENT CORNER

Corner to Section 17 Township 114 N Range 39 W No. \_\_\_\_\_

STATE OF MINNESOTA,

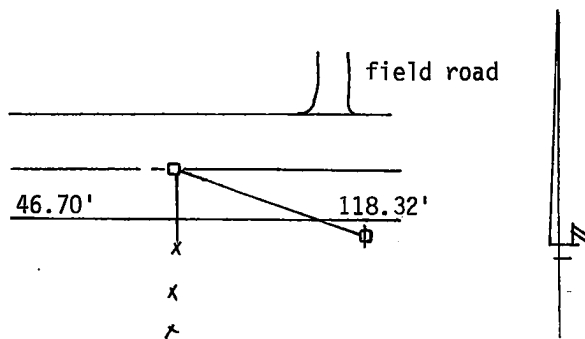
County of Yellow Medicine S.S.

I hereby certify that on the 30th day of June 1980,  
that I, Lyle E. Moseng, a Registered Land Surveyor, ~~County Surveyor,~~  
~~County Highway Engineer,~~ <sup>SET</sup> found the North Quarter corner of Section 17  
~~which was evidenced by~~ see back

\_\_\_\_\_ and I further certify that to perpetuate the  
location of such corner I did, at the exact location thereof, place a permanent  
marker consisting of 5/8 inch rerod w/seal flush with existing asphalt surface.  
I further certify that I established 2 references or witness monuments consist-  
ing of a fence post & a power pole which reference or witness monuments are  
located in the manner following.

Dh nail & bc in PP SE 118.32'  
Dh nail & bc in FP S 46.70'

corner is on the painted centerline of the  
Co. Rd.



Dated at Marshall, Minnesota, this 14th day of July, 1980.

Lyle E. Moseng  
~~County Surveyor, County Highway Engineer,~~  
Registered Land Surveyor No. 11943

**183007**  
OFFICE OF THE REGISTER OF DEEDS

County of Yellow Medicine

I hereby certify that the within instrument was filed in this office for  
record on the 16 day of November A.D., 1983 at 2:25 o'clock P.M.

Norman J. Opdahl, County Recorder  
Register of Deeds  
by Kay Nordahl Deputy

We dug for the recorded stone & bolt and found nothing; we did find a nail & lath 4" below existing asphalt surface and found another nail & lath 14" deeper. We measured a distance from the northwest corner, which was from John Nordgard in his 1935 notes, 2655 feet east, and set our rerod. Our rerod was 18" west of spike 14" deep and 30" west of spike 4" deep, which it also was 18" west of the fence line to the south.