

CERTIFICATE OF LOCATION OF GOVERNMENT CORNER

Northeast Corner of Section 24, Township 115N, Range 42W, 5th P.M.

STATE OF MINNESOTA, County of Yellow Medicine

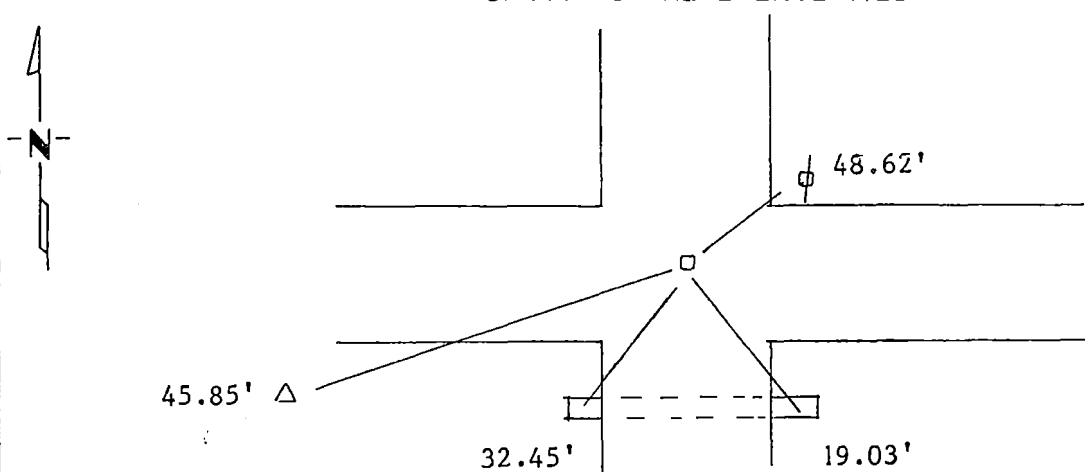
At the corner location shown on the sketch:

On 4/29/88 found a 6" X 6" Granite Stone 18" deep
DATE

left monument as found, lowered monument, removed monument (explain)

On 4/29/88 placed a 1 1/4" ^{PIPE} ~~rod~~ on top of the stone
DATE

SKETCH OF REFERENCE TIES



Nail and Seal	Telephone Post	SW	45.85'
PK Nail in Corrugated Pipe		SSW	32.45'
PK Nail in Corrugated Pipe		SE	19.03'
Nail and Seal	Power Pole	NE	48.62'

Statement of evidence relative to this corner location is on back of page.

I hereby certify that this document and the data contained herein was prepared by me or under my direct supervision.

Lytle E. Mooney 5/12/88
SIGNATURE DATE

Registration No. 111943
 Land Surveyor, Professional Engineer
 County Surveyor, County Engineer

OFFICE OF THE COUNTY RECORDER
 County of Yellow Medicine

I hereby certify that this document was filed in the Co. Recorders office at 10:25 A.M. on the 25 day of January A.D., 1989

County Recorder Norman J. Opdahl
 By Kay Nordahl, Deputy
 DOCUMENT NO. 194570

Statement of Evidence:

On April 29, 1988 we dug and found a 6" X 6" granite stone
18" deep, we then set a 1 $\frac{1}{4}$ " Iron Pipe on top of it.