

CERTIFICATE OF LOCATION OF GOVERNMENT CORNER

Northeast Corner of Section 35, Township 114N, Range 39W, 5th P.M.

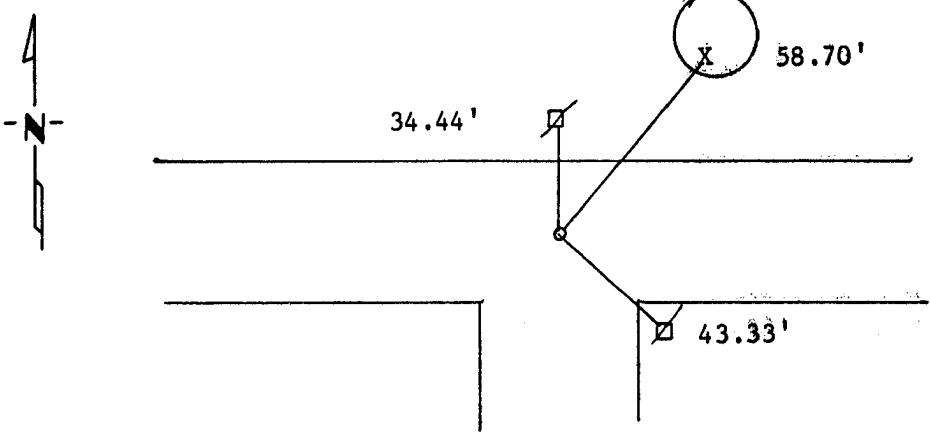
STATE OF MINNESOTA, County of Yellow Medicine

At the corner location shown on the sketch:

- On _____ found a _____
DATE
- left monument as found, lowered monument, removed monument (explain)

On 8/19/76 placed a 5/8" rerod wih seal in the centerline of road and in line
DATE with field line to the North and road to the South.

SKETCH OF REFERENCE TIES



Nail and Seal Power Pole N 34.44'
 Nail and Seal Power Pole SE 43.33'
 X in concrete floor of cornerib NE 58.70'

Statement of evidence relative to this corner location is on back of page.

I hereby certify that this document and the data contained herein was prepared by me or under my direct supervision.

Lyle E. Mosey 2/22/1989
SIGNATURE DATE

Registration No. 11943

Land Surveyor, Professional Engineer

County Surveyor, County Engineer

OFFICE OF THE COUNTY RECORDER
County of Yellow Medicine

I hereby certify that this document was filed in the Co. Recorders office at 10:00 A.M. on the 8 day of November A.D., 19 89

County Recorder Norman J. Gdolek

By _____, Deputy

DOCUMENT NO. 196205

Statement of Evidence:

We dug a hole 3'X 3'X 3' found nothing John Norgaard called for a stone here in 1901.

Natural ground was less than 6" deep. I talked with local farmers no one had ever seen it but assumed it was were I set it.