

CERTIFICATE OF LOCATION OF GOVERNMENT CORNER

North Quarter _____ Corner of Section 15, Township 115 N, Range 45 W, 5th P.M.

STATE OF MINNESOTA, County of Yellow Medicine

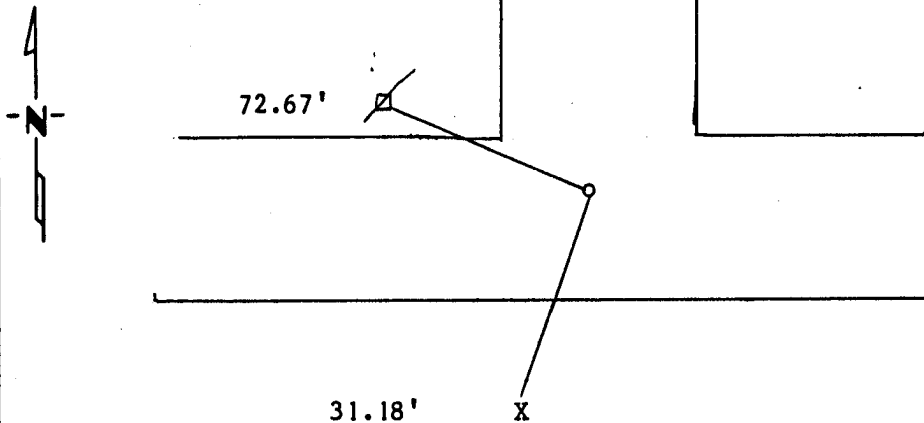
At the corner location shown on the sketch:

On _____ found a _____
DATE

left monument as found, lowered monument, removed monument (explain)

On 4/13/88 placed a Set a 5/8" rerod on line between section corners.
DATE

SKETCH OF REFERENCE TIES



Nail and Seal in Power Pole	72.67'
Nail and Seal in Fence Post	31.18'

Statement of evidence relative to this corner location is on back of page.

I hereby certify that this document and the data contained herein was prepared by me or under my direct supervision.

Lyle E. Mooney 2/22/1989
SIGNATURE DATE

Registration No. 119430

Land Surveyor, Professional Engineer

County Surveyor, County Engineer

OFFICE OF THE COUNTY RECORDER

County of Yellow Medicine

I hereby certify that this document was filed in the Co. Recorders office at 10:30 A.M. on the 8 day of November A.D., 19 89

County Recorder Normed G. G. G.

By _____, Deputy

DOCUMENT NO. 196211

Statement of Evidence: