

# CERTIFICATE OF LOCATION OF GOVERNMENT CORNER

Northeast Corner of Section 15, Township 115N, Range 45W, 5th P.M.

STATE OF MINNESOTA, County of Yellow Medicine

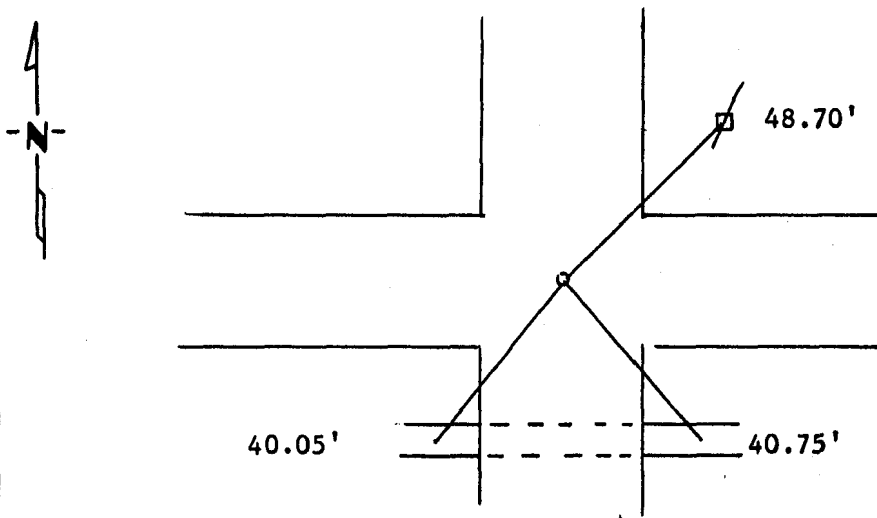
At the corner location shown on the sketch:

On 4/11/88 found a Found a 6" X 6" Granite stone.  
DATE

left monument as found,  lowered monument,  removed monument (explain)

On 4/11/88 placed a Set a 5/8" rerod at road surface.  
DATE

### SKETCH OF REFERENCE TIES



Nail and Seal in Power Pole	48.70'
PK Nail in CMP West	40.05'
PK Nail in CMP East	40.75'

Statement of evidence relative to this corner location is on back of page.

I hereby certify that this document and the data contained herein was prepared by me or under my direct supervision.

Lyle E. Mearns 2/22/1989  
SIGNATURE DATE

Registration No. 11943

Land Surveyor,  Professional Engineer

County Surveyor,  County Engineer

### OFFICE OF THE COUNTY RECORDER

County of Yellow Medicine

I hereby certify that this document was filed in the Co. Recorders office at 10:40 A.M. on the 8 day of November A.D., 19 89

County Recorder Norman S. Goddard

By \_\_\_\_\_, Deputy

DOCUMENT NO. 196213

**Statement of Evidence:**