

CERTIFICATE OF LOCATION OF GOVERNMENT CORNER

Northeast Corner of Section 28, Township 115N, Range 40W, 5th P.M.

STATE OF MINNESOTA, County of Yellow Medicine

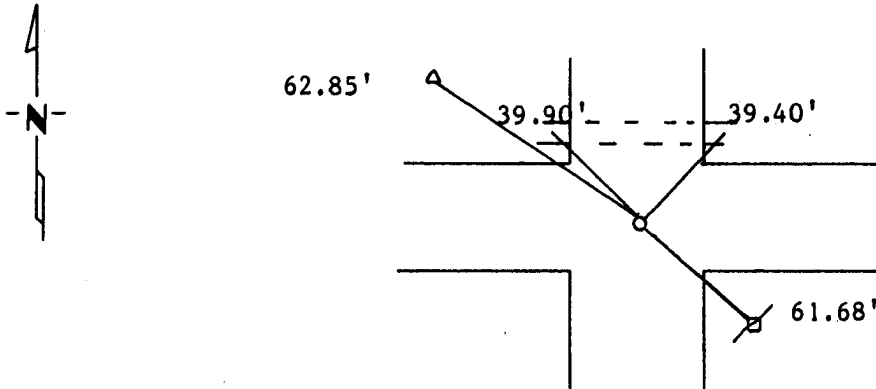
At the corner location shown on the sketch:

On 8-10-89 found a 6"x6"x18" stone
DATE

left monument as found, lowered monument, removed monument (explain)

On 8-10-89 placed a 1 1/4" iron pipe with seal at road surface
DATE

SKETCH OF REFERENCE TIES



Nail and seal in Telephone Pedastel NW 62.85'

Nail and seal in Power Pole SE 61.68'

PK Nail in CMP culvert NW 39.90'

PK Nail in CMP culvert NE 39.40'

Statement of evidence relative to this corner location is on back of page.

I hereby certify that this document and the data contained herein was prepared by me or under my direct supervision.

Boyle C. Mow 3 May 1990
SIGNATURE DATE

Registration No. 11943

Land Surveyor, Professional Engineer

County Surveyor, County Engineer

OFFICE OF THE COUNTY RECORDER

County of Yellow Medicine

I hereby certify that this document was filed in the Co. Recorders office at 3:20 P.M. on the 1 day of May A.D., 19 90

County Recorder Norma J. Spade

By _____, Deputy

DOCUMENT NO. 197347

Statement of Evidence:

Original survey done in the 1860's.

John Nordgaard resurveyed the area in 1899.

John Nordgaard found and used stone in 1930.

Dug with air compressor August 10, 1989, found 6"x6"x18" stone placed 1½" iron pipe with seal at road surface.