

CERTIFICATE OF LOCATION OF GOVERNMENT CORNER

North Quarter Corner of Section 7, Township 114N, Range 40W, 5th P.M.

STATE OF MINNESOTA, County of Yellow Medicine

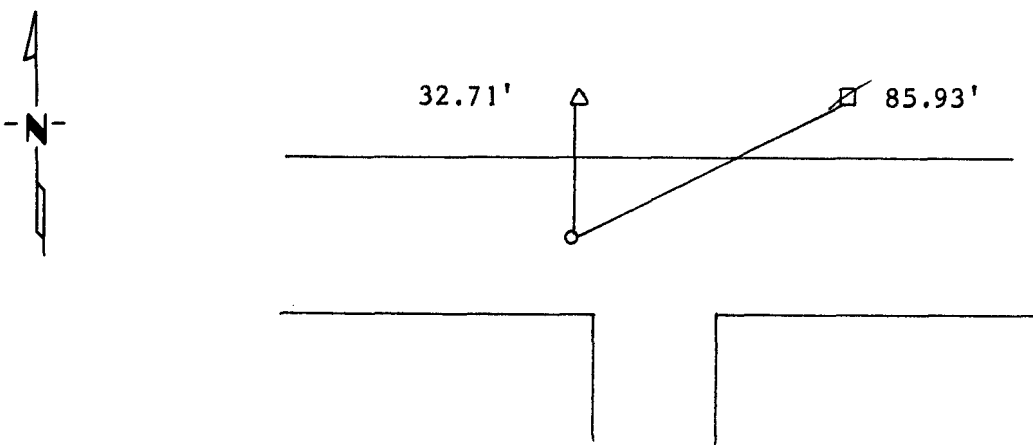
At the corner location shown on the sketch:

On 6/16/83 found a 2"X18" old rotten wood with glazed pottery along side of it.
DATE

left monument as found, lowered monument, removed monument (explain)

On 6/16/83 placed a Set 5/8" rerod with sealin hole.
DATE

SKETCH OF REFERENCE TIES



Nail and Seal in Power Pole NE 85.93'
Nail and Seal in Telephone Pedastel N 32.71'

Statement of evidence relative to this corner location is on back of page.

RECORDED
GRANTOR <input checked="" type="checkbox"/>
GRANTEE <input checked="" type="checkbox"/>
INDEXED

I hereby certify that this document and the data contained herein was prepared by me or under my direct supervision.

Lytle & Mosey 5-17-1990
SIGNATURE DATE

Registration No. 11943

Land Surveyor, Professional Engineer

County Surveyor, County Engineer

OFFICE OF THE COUNTY RECORDER
County of Yellow Medicine

I hereby certify that this document was filed in the Co. Recorders office at 3:40 P.M. on the 13 day of February A.D., 19 91

County Recorder Deborah C. Kroll

By _____, Deputy

DOCUMENT NO. 198973

Statement of Evidence: