

CERTIFICATE OF LOCATION OF GOVERNMENT CORNER

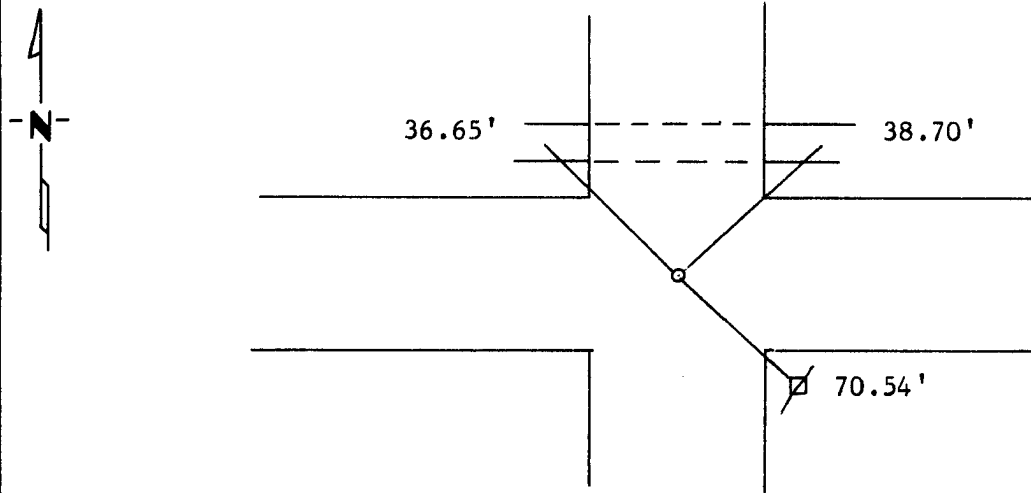
Northeast Corner of Section 26, Township 114N, Range 40W, 5th P.M.

STATE OF MINNESOTA, County of Yellow Medicine

At the corner location shown on the sketch:

- On _____ found a _____
DATE
- left monument as found, lowered monument, removed monument (explain)
- On 4/22/83 placed a With Leroy or Steve Alm of Cottonwood we dug for corner
DATE with backhoe found nothing, set 5/8" rered from existing evidence.

SKETCH OF REFERENCE TIES



X in 30" Concrete Culvert NW 36.65'
 X in 30" Concrete Culvert NE 38.70'
 Nail and Seal in Power Pole SE 70.54'

Statement of evidence relative to this corner location is on back of page.

RECORDED
~~GRANTOR~~
GRANTEE
~~INDEXED~~

I hereby certify that this document and the data contained herein was prepared by me or under my direct supervision.

Lyle C. Moring 5-17-90
 SIGNATURE DATE

Registration No. 11943

- Land Surveyor, Professional Engineer
- County Surveyor, County Engineer

OFFICE OF THE COUNTY RECORDER
 County of Yellow Medicine

I hereby certify that this document was filed in the Co. Recorders office at 3:50 P. .M. on the 13 day of February A.D., 1991

County Recorder Norman Opdahl
 By _____, Deputy

DOCUMENT NO. 198975

Statement of Evidence: