

CERTIFICATE OF LOCATION OF GOVERNMENT CORNER

Northeast Corner of Section 32, Township 114N, Range 42W, 5th P.M.

STATE OF MINNESOTA, County of Yellow Medicine

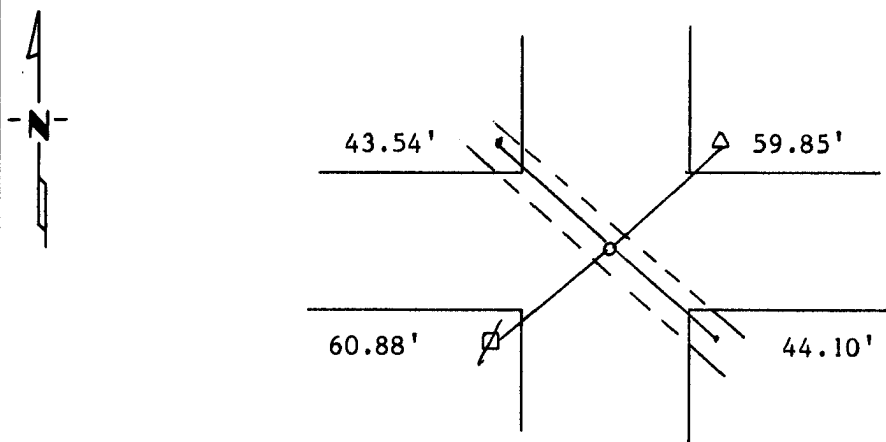
At the corner location shown on the sketch:

On 4/28/81 found a Railroad Spike with red flagging 18" below road
DATE
surface 4" below old roadbed.

left monument as found, lowered monument, removed monument (explain)

On 4/28/81 placed a 5/8" rerod with Seal on top of it.
DATE

SKETCH OF REFERENCE TIES



Nail and Seal in Power Pole SW 60.88'
 Nail and Seal in Telephone Pedastel NE 59.85'
 Strapping Nut on 18" Culvert NW 43.54'
 Strapping Nut on 18" Culvert SE 44.10'

Statement of evidence relative to this corner location is on back of page.

RECORDED
 GRANTOR
 GRANTEE
 INDEXED

I hereby certify that this document and the data contained herein was prepared by me or under my direct supervision.

Hugh E. Mooney 6-12-90
SIGNATURE DATE

Registration No. 11948
 Land Surveyor, Professional Engineer
 County Surveyor, County Engineer

OFFICE OF THE COUNTY RECORDER
 County of Yellow Medicine

I hereby certify that this document was filed in the Co. Recorders office at 4:15 P.M. on the 13 day of February A.D., 1991

County Recorder Norma J. Spelake

By _____, Deputy

DOCUMENT NO. 198980

Statement of Evidence: