

# CERTIFICATE OF LOCATION OF GOVERNMENT CORNER

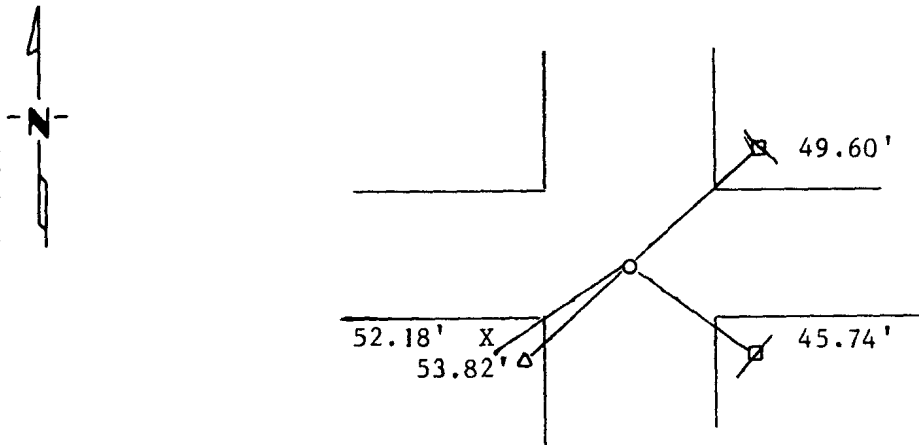
Northeast \_\_\_\_\_ Corner of Section 22, Township 114N, Range 43W, 5th P.M.

STATE OF MINNESOTA, County of Yellow Medicine

At the corner location shown on the sketch:

- On \_\_\_\_\_ found a \_\_\_\_\_  
DATE
- left monument as found,  lowered monument,  removed monument (explain)
- On 3/30/89 placed a 1 1/2" iron pipe. Dug with jack hammer, 18" gravel, 6" black dirt then clay. Area is a cut area. Set by splitting roads and occupational lines.  
DATE

### SKETCH OF REFERENCE TIES



- Nail and Seal in Power Pole NE 49.60'
- Nail and Seal in Power Pole SE 45.74'
- Nail and Seal in Wooden Post SW 52.18'
- Top of Telephone Pedastel SW 53.82'

Statement of evidence relative to this corner location is on back of page.

I hereby certify that this document and the data contained herein was prepared by me or under my direct supervision.

Lytle E. Mooney Jan 10, 1991  
SIGNATURE DATE

Registration No. 11943  
 Land Surveyor,  Professional Engineer  
 County Surveyor,  County Engineer

OFFICE OF THE COUNTY RECORDER  
 County of Yellow Medicine

I hereby certify that this document was filed in the Co. Recorders office at 3:05 P.M. on the 2nd day of February A.D., 19 95

County Recorder Norman J. Opdahl  
 By Kay Nordahl, Deputy

DOCUMENT NO. 208536

**Statement of Evidence:**