

# CERTIFICATE OF LOCATION OF GOVERNMENT CORNER

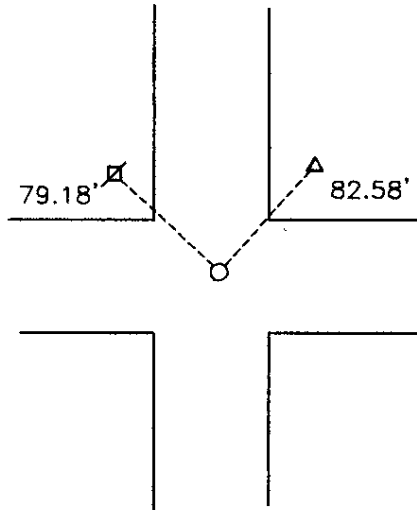
Northeast Corner of Section 19, Township 113, Range 39, 5th P.M.

STATE OF MINNESOTA, County of Yellow Medicine

At the corner location shown on the sketch:

- On June 3, 1998 found a Square cut Jasper stone, 3 feet below road surface  
DATE
- left monument as found,  lowered monument,  removed monument (explain)
- On June 3, 1998 placed a 5/8" iron with seal #11943 above stone  
DATE

### SKETCH OF REFERENCE TIES



Nail and seal in power pole 79.18' NW  
 Top center of telephone pedestal 82.58' NE

Statement of evidence relative to this corner location is on back of page.

I hereby certify that this document and the data contained herein was prepared by me or under my direct supervision.

Lyle C. Maing 11/25/98  
SIGNATURE DATE

Registration No. 11943

- Land Surveyor,  Professional Engineer
- County Surveyor,  County Engineer

### OFFICE OF THE COUNTY RECORDER

County of

I hereby certify that this document was filed in the Co. Recorders office at 10:50 A.M on the 28 day of Dec. A.D. 19 98

County Recorder Norman J. Opdahl

By Debra B..., Deputy

DOCUMENT NO. 218899

RECORDED  
 GRANTED ✓  
 GRANTED ✓  
 INDEXED ✓

Statement of Evidence

On June 3, 1998 Moseng land surveying dug with backhoe from Jeseritz Construction, we found a square cut stone 3 feet below road surface. There was a 3/8" iron hook next to stone. We placed a 5/8" iron with seal number 11943 above stone at road surface.

1998  
11943  
11943  
11943