

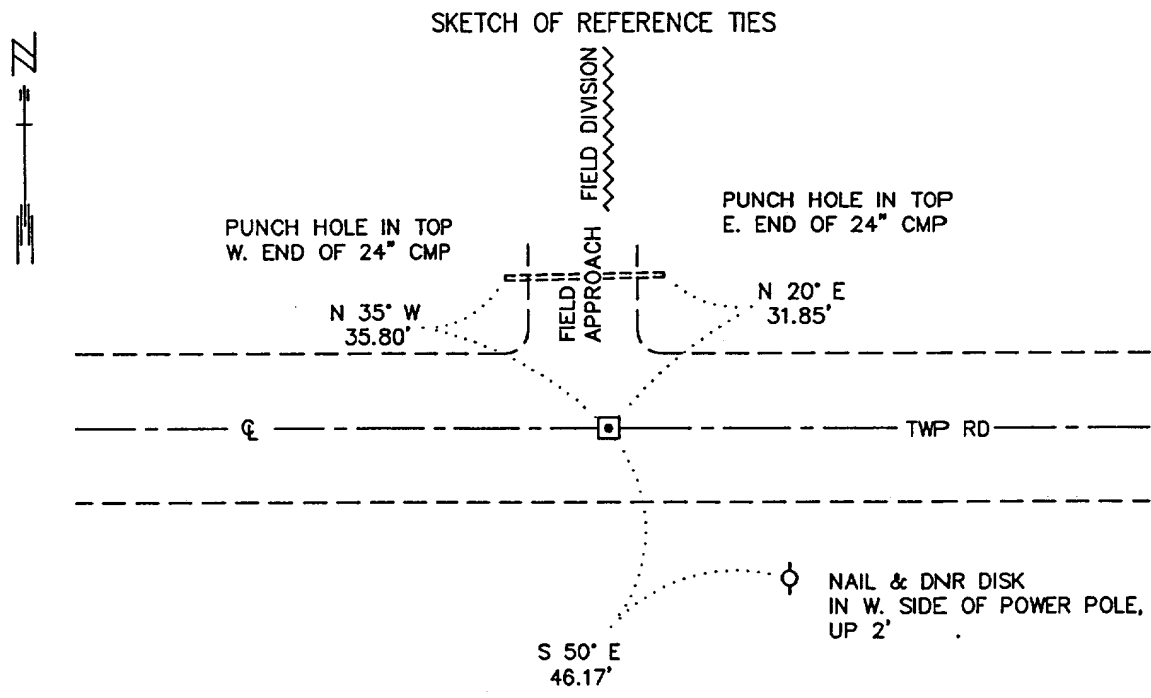
CERTIFICATE OF LOCATION OF GOVERNMENT CORNER

NORTH QUARTER Corner of Section 34, Township 114 N., Range 46 W., 5th P.M.

STATE OF MINNESOTA, County of YELLOW MEDICINE

At the corner location shown on the sketch:

- On 10/10/2000 found a 10" TRIANGULAR FIELD STONE, POINTED END UP, DOWN 1.3'
DATE
- left monument as found, lowered monument, removed monument (explain)
- On 10/10/2000 Placed a 3/4" X 12" REBAR WITH ALUMINUM CAP STAMPED
DATE
"DNR SURVEY MARKER", DOWN 0.3', OVER FIELD STONE.



YELLOW MEDICINE COUNTY
 COORDINATES, NAD 83
 1986 ADJ.
 N = 138248.039
 E = 372750.641

BEARINGS OBSERVED WITH COMPASS

Statement of evidence relative to this corner location is on back of page.

2/21/01
WMA00190.00.00.01

I hereby certify that this document and the data contained herein was prepared by me or under my direct supervision.

Muse W. Shepperd 6/4/01
SIGNATURE DATE

License Number 17003

Land Surveyor, Professional Engineer
 County Surveyor, County Engineer

OFFICE OF THE COUNTY RECORDER
County of Yellow Medicine

I hereby certify that this document was filed in the Co. Recorder's Office at 10:15 A.M. on the 13 day of June A.D., 2001

County Recorder Kay Nerdahl
By Dale Pablik, Deputy
DOCUMENT NO. 226151

North Quarter Corner of Section 34, Township 114 North, Range 46 West

The DNR Bureau of Engineering contacted the following for survey information:

Minnesota Secretary of State's Office

Yellow Medicine County Recorder's Office

Yellow Medicine County Highway Engineer's Office

- 1871 U. S. General Land Office notes obtained from the Secretary of State's Office show the corner marked with a wood post in a raised mound as per instructions.
- 1909 May, Surveyor's Record Book, page 198, obtained from the County Recorder's Office, contains a survey by John Norgaard, County Surveyor. Survey shows that corner was established midway and on line between adjoining section corners 2636 feet apart. A description of what kind of monument was set to mark the location of the corner is not given.
- 2000 October 10, DNR Bureau of Engineering hired a backhoe to dig for evidence of the corner. A 10 inch triangular shaped stone (5 inches thick) was found down 1.3 feet with the pointed end up. Set a 3/4" by 12" rebar with an aluminum cap stamped "DNR SURVEY MARKER" over the stone and found it to be:
- on the center line of an east-west Township Road
 - in line with a field division north
 - 2635.81 feet from the northeast corner of Section 34
 - 2643.57 feet from the northwest corner of Section 34
 - 3.44 feet south and 3.84 feet east of the lost position

Analysis of the above information led the DNR Bureau of Engineering to conclude that the found 10 inch triangular shaped stone marks the location of the corner.