

# CERTIFICATE OF LOCATION OF GOVERNMENT CORNER

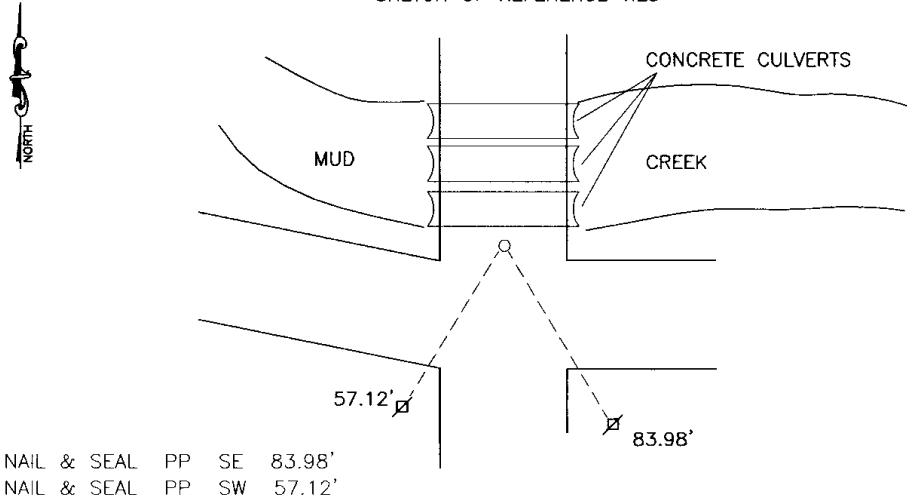
Northeast Corner of Section 36, Township 114, Range 44, 5th P.M.

STATE OF MINNESOTA, County of Yellow Medicine

At the corner location shown on the sketch:

- On \_\_\_\_\_ found a \_\_\_\_\_  
DATE
- left monument as found,  lowered monument,  removed monument (explain)
- On JULY 20, 2001 placed a 1" iron pipe w/seal #11943  
DATE

SKETCH OF REFERENCE TIES



Statement of evidence relative to this corner location is on back of page.

I hereby certify that this document and the data contained herein was prepared by me or under my direct supervision.

Alye E Mooring 2-17-04  
SIGNATURE DATE

Registration No. 11943

- Land Surveyor,  Professional Engineer
- County Surveyor,  County Engineer

OFFICE OF THE COUNTY RECORDER

County of \_\_\_\_\_

I hereby certify that this document was filed in the Co. Recorders office at \_\_\_\_\_ M on the \_\_\_\_\_ day of \_\_\_\_\_ A.D. 19 \_\_\_\_\_

County Recorder \_\_\_\_\_

By \_\_\_\_\_, Deputy

DOCUMENT NO. \_\_\_\_\_

Statement of Evidence

On July 20, 2001 Moseng Land Surveying reset the corner by projecting the east line of the Northeast Quarter of Section 25 South and projecting the existing occupation line from the Northwest corner of Section 36 East. We set a 1 inch pipe with seal #11943. We did not dig, the corner was to close to culverts.

Doc# 236983      Fee: \$.00      2 Pages  
Office of County Recorder, Yellow Medicine County, Minnesota  
I hereby certify that the within instrument was  
filed on January 4, 2005 at 01:30 PM

Kay Zempel, Yellow Medicine County Recorder  
BY Paul K. H. K. Deputy