

# CERTIFICATE OF LOCATION OF GOVERNMENT CORNER

Northeast Corner of Section 30, Township 115, Range 44, 5th P.M.

STATE OF MINNESOTA, County of Yellow Medicine

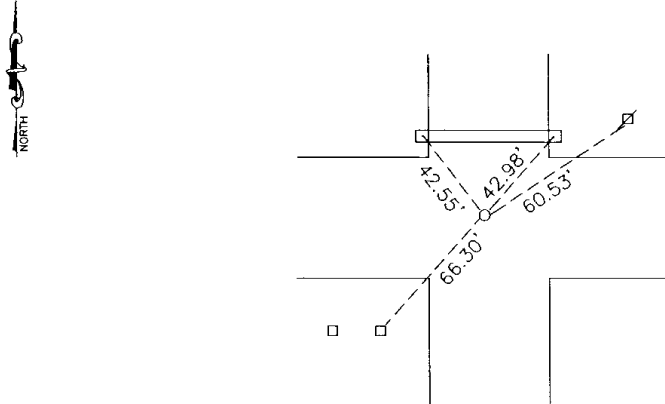
At the corner location shown on the sketch:

On 3-22-00 found a square cut granite stone 8" down

left monument as found,  lowered monument,  removed monument (explain)

On 3-22-00 placed a rerod along the south side and also a railroad spike along side.

### SKETCH OF REFERENCE TIES



Nail and seal in power pole 60.53' Northeast  
 Punch mark on top of concrete culvert 42.98' Northeast  
 Punch mark on top of concrete culvert 42.55' Northwest  
 Top center of water valve 66.30' Southwest

Statement of evidence relative to this corner location is on back of page.

I hereby certify that this document and the data contained herein was prepared by me or under my direct supervision.

Lyle E. Mosing      1-16-06  
SIGNATURE      DATE

Registration No. 11943

Land Surveyor,     Professional Engineer  
 County Surveyor,    County Engineer

OFFICE OF THE COUNTY RECORDER

County of \_\_\_\_\_

I hereby certify that this document was filed in the Co. Recorders office at \_\_\_\_\_ M on the \_\_\_\_\_ day of \_\_\_\_\_ A.D. 19 \_\_\_\_\_

County Recorder \_\_\_\_\_

By \_\_\_\_\_, Deputy

DOCUMENT NO. \_\_\_\_\_

Statement of Evidence

In 1871 L. Harrington did the original subdivision of the township.

On December 5, 1962 the county Highway Department found a granite monument.

On 3-22-2000 Moseng Land Surveying found a square cut granite stone 8" down we set a rerod along the south side of stone.

Doc# 240399 Fee: \$ 2 Pages

Office of County Recorder  
Yellow Medicine County, Minnesota  
I hereby certify that the within instrument  
was filed on April 11, 2006 at 10:05 AM

Kay Zempel, Yellow Medicine County Recorder

BY Jail Rohlik Deputy

**N/C**  
**Bueltel-Moseng Land Surveying**  
**P.O. Box 32**  
**Marshall, MN 56258**