

CERTIFICATE OF LOCATION OF GOVERNMENT CORNER

NORTHEAST Corner of Section 19, Township 114, Range 44, 5TH P.M.

STATE OF MINNESOTA, County of YELLOW MEDICINE

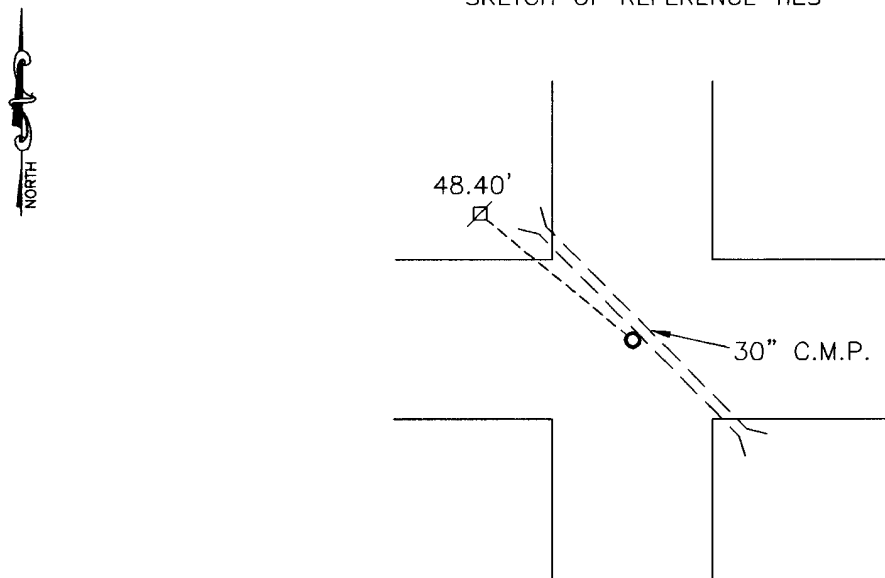
At the corner location shown on the sketch:

On 11-08-2010 found a 3/4" IRON PIPE
DATE

left monument as found, lowered monument, removed monument (explain)

On _____ placed a _____
DATE

SKETCH OF REFERENCE TIES



Minnesota State Plane Coordinate
System Yellow Medicine County Datum
NAD83 (1996)

N: 148695.429
E: 423218.620

Spike with washer in utility pole NW 48.40'

Statement of evidence relative to this corner location is on back of page.

I hereby certify that this document and the data contained herein was prepared by me or under my direct supervision.

Samuel B. Smith 1/6/11
SIGNATURE DATE

Registration No. 43844

Land Surveyor, Professional Engineer
 County Surveyor, County Engineer

OFFICE OF THE COUNTY RECORDER
County of _____

I hereby certify that this document was filed in the Co. Recorders office at _____ .M on the _____ day of _____ A.D. 20 _____

County Recorder _____

By _____, Deputy

DOCUMENT NO. _____

Statement of Evidence

In 1871, L. Harrington did the original subdivision of the township.

On November 8, 2010, Bueltel-Moseng Land Surveying found a 3/4" iron pipe. We accepted the pipe, it is in the center of the intersection. We did not dig because there is a 30" culvert running diagonally under the intersection.

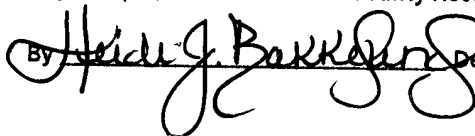
Doc# 252048 Fee: \$0.00 2 Pages

Office of County Recorder

Yellow Medicine County, Minnesota

I hereby certify that the within instrument
was filed on January 13, 2011 at 9:20 AM

Kay Zempel, Yellow Medicine County Recorder

By  Deputy

N/C

Bueltel-Moseng Land Surveying
P.O. Box 32
Marshall, MN 56258