

CERTIFICATE OF LOCATION OF GOVERNMENT CORNER

NORTHEAST Corner of Section 24, Township 114, Range 46, 5TH P.M.

STATE OF MINNESOTA, County of YELLOW MEDICINE

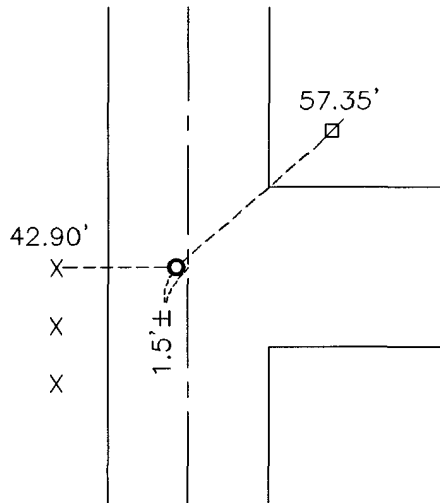
At the corner location shown on the sketch:

On 08-16-2010 found a UNRECORDED IRON
DATE

left monument as found, lowered monument, removed monument (explain)

On _____ placed a _____
DATE

SKETCH OF REFERENCE TIES



Minnesota State Plane Coordinate
 System Yellow Medicine County Datum
 NAD83 (1996)

N: 148672.165
 E: 385970.258

Nail and survey marker in utility pole NE 57.35'
 Nail and survey marker in end fence post West 42.00'

Statement of evidence relative to this corner location is on back of page.

I hereby certify that this document and the data contained herein was prepared by me or under my direct supervision.

Samuel B. ... 1/10/11
SIGNATURE DATE

Registration No. 43844

Land Surveyor, Professional Engineer
 County Surveyor, County Engineer

OFFICE OF THE COUNTY RECORDER

County of _____

I hereby certify that this document was filed in the Co. Recorders office at _____ .M on the _____ day of _____ A.D. 20 _____

County Recorder _____

By _____, Deputy

DOCUMENT NO. _____

Statement of Evidence

In 1858, W. J. Neely did the original survey of the east line of the township.

On August 16, 2010, Bueltel-Moseng Land Surveying found an unrecorded iron at the corner. We accepted the iron as the corner.

Doc# 252056 Fee: \$0.00 2 Pages

Office of County Recorder

Yellow Medicine County, Minnesota

I hereby certify that the within instrument
was filed on January 13, 2011 at 10:00 AM

Kay Zempel, Yellow Medicine County Recorder

By

 Deputy

N/C

Bueltel-Moseng Land Surveying
P.O. Box 32
Marshall, MN 56258