

# CERTIFICATE OF LOCATION OF GOVERNMENT CORNER

NORTH QUARTER Corner of Section 35, Township 114, Range 40, 5TH P.M.

STATE OF MINNESOTA, County of YELLOW MEDICINE

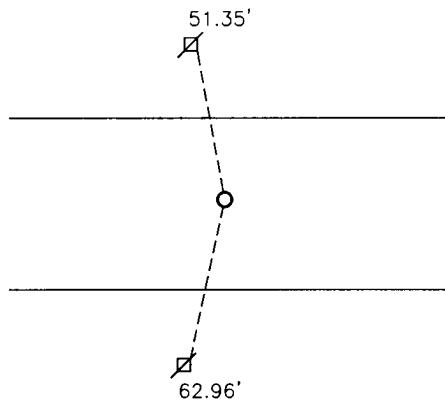
At the corner location shown on the sketch:

On \_\_\_\_\_ found a \_\_\_\_\_  
DATE

left monument as found,  lowered monument,  removed monument (explain)

On 7/16/15 placed a survey spike with seal #43844  
DATE

SKETCH OF REFERENCE TIES



Minnesota State Plane Coordinate  
System Yellow Medicine County Datum  
NAD83 (1996)

N: 137812.271  
E: 569348.834

Nail and MnDot disc in utility pole NNW 51.35'  
Nail and MnDot disc in utility pole SSW 62.96'

Statement of evidence relative to this corner location is on back of page.

I hereby certify that this document and the data contained herein was prepared by me or under my direct supervision.

*David B. Smith* 3/2/16  
SIGNATURE DATE

Registration No. 43844

- Land Surveyor,  Professional Engineer  
 County Surveyor,  County Engineer

OFFICE OF THE COUNTY RECORDER

County of \_\_\_\_\_

I hereby certify that this document was filed in the Co. Recorders office at \_\_\_\_\_ .M on the \_\_\_\_\_ day of \_\_\_\_\_ A.D. 20 \_\_\_\_\_

County Recorder \_\_\_\_\_

By \_\_\_\_\_, Deputy

DOCUMENT NO. \_\_\_\_\_

## Statement of Evidence

In September, 1864, C.E. Davis and J.W. Webb Jr. did the original subdivision of the township.

(No Date), MnDot right of way plat shows angles and distances to the corner.

On July 16, 2015, Bueltel-Moseng Land Surveying set a survey spike with seal #43844 by using angle and distances on the MnDot right of way plat. The corner fits the original MnDot ties.

**Doc# 263819 Fee: \$0.00 2 Pages**

Property & Public Services

Property Records Division

Yellow Medicine County, Minnesota

I hereby certify that the within instrument  
was filed on March 28, 2016 at 12:00 PM

Janel Timm, Yellow Medicine County Recorder

By Debra Blood Deputy