

CERTIFICATE OF LOCATION OF GOVERNMENT CORNER

NORTHEAST Corner of Section 17, Township 115, Range 44, 5TH P.M.

STATE OF MINNESOTA, County of YELLOW MEDICINE

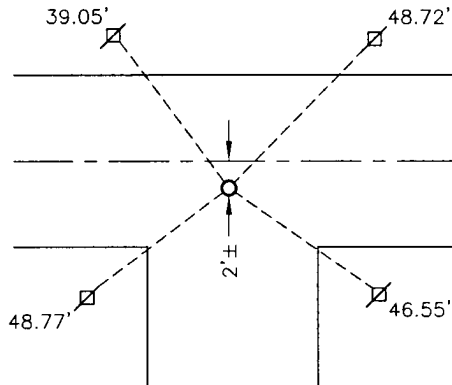
At the corner location shown on the sketch:

On 8/1/16 found a 3/8" iron
DATE

left monument as found, lowered monument, removed monument (explain)

On _____ placed a _____
DATE

SKETCH OF REFERENCE TIES



Minnesota State Plane Coordinate
System Yellow Medicine County Datum
NAD83 (1996)

N: 185572.658
E: 428544.035

Nail and survey marker in utility pole NW 39.05'
Nail and survey marker in utility pole NE 48.72'
Nail and survey marker in utility pole SE 46.55'
Nail and survey marker in utility pole SW 48.77'

Statement of evidence relative to this corner location is on back of page.

I hereby certify that this document and the data contained herein was prepared by me or under my direct supervision.


SIGNATURE

1/26/17
DATE

Registration No. 43844

- Land Surveyor, Professional Engineer
 County Surveyor, County Engineer

Doc# 265765 Fee: \$0.00 2 Pages

Property & Public Services
Property Records Division
Yellow Medicine County, Minnesota
I hereby certify that the within instrument
was filed on February 16, 2017 at 11:10 AM

Janel Timm, Yellow Medicine County Recorder

By Debra Blood Deputy

Statement of Evidence

In September, 1871, L. Harrington did the original subdivision of the township.

On August 1, 2016, Bueltel-Moseng Land Surveying found a 3/8" iron at the corner. It is in centerline of road to the north-south road and 2'± south of centerline of east-west road.