

CERTIFICATE OF LOCATION OF GOVERNMENT CORNER

EAST QUARTER Corner of Section 30, Township 115N, Range 46W
 5th Principal Meridian, State of Minnesota, County of Yellow Medicine.

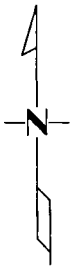
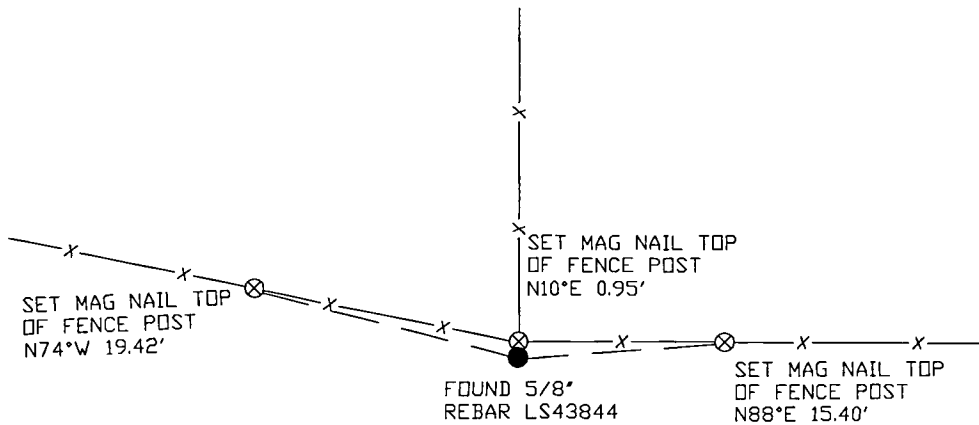
At the corner location shown on the sketch:

On 10/27/17 found a 5/8" REBAR WITH BUELTEL LS43844 CAP
DATE

left monument as found lowered monument removed monument (explain)

On _____ placed a _____
DATE

SKETCH OF REFERENCE TIES



N.T.S.

Statement of evidence for this corner location is on back of this page.

I hereby certify that this document was researched and prepared by me or under my direct supervision and that I am a licensed Land Surveyor under the laws of the State of Minnesota.

Signature *Janel Timm*
 Date 3/26/18 License No. 45874

Title:

- Land Surveyor Professional Engineer
 County Surveyor County Engineer

Doc# 268292 Fee: \$0.00 2 Pages

Property & Public Services
 Property Records Division
 Yellow Medicine County, Minnesota
 I hereby certify that the within instrument was filed on April 6, 2018 at 2:20 PM

Janel Timm, Yellow Medicine County Recorder

By *Kelly Kauger* Deputy

STATEMENT OF EVIDENCE:

EAST QUARTER OF SECTION 30, T115N, R46W, 5TH PM

1871 Corner was originally established by the U.S. General Land Office as a post set in raised mound at top of bluff.

1903 Surveyors Record Book page 180, John Norgaard, County Surveyor, completed a survey in Sec 29 in which found Government mound with fence corner in center of.

2014 Bueltel-Moseng Land Surveying completed a survey in Section 29 in which they set 5/8" iron with seal #43844 at the corner location.

2017-10-27 Westwood PS searched the area and found a 5/8" rebar with Bueltel cap LS43844 at fence intersection running north-east-west. Monument fits 2014 survey by Bueltel-Moseng LS43844 for Section 29. Accepting as corner location and set 3 reference ties.