

# CERTIFICATE OF LOCATION OF GOVERNMENT CORNER

EAST QUARTER Corner of Section 34, Township 114, Range 43, 5TH P.M.

STATE OF MINNESOTA, County of YELLOW MEDICINE

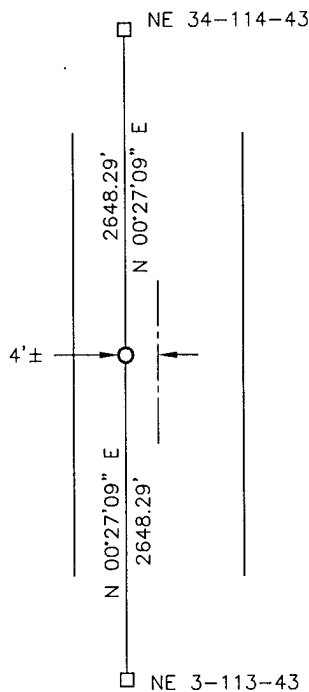
At the corner location shown on the sketch:

On \_\_\_\_\_ found a \_\_\_\_\_  
DATE

left monument as found,  lowered monument,  removed monument (explain)

On 04-09-2018 placed a 5/8" IRON WITH SEAL #43844.  
DATE

### SKETCH OF REFERENCE TIES



Minnesota State Plane Coordinate  
System Yellow Medicine County Datum  
NAD83 (1996)

N: 134939.466  
E: 470780.018

Statement of evidence relative to this corner location is on back of page.

I hereby certify that this document and the data contained herein was prepared by me or under my direct supervision.

[Signature] 4/17/18  
SIGNATURE DATE

Registration No. 43844

- Land Surveyor,  Professional Engineer
- County Surveyor,  County Engineer

**Doc# 269587 Fee: \$0.00 2 Pages**

Property & Public Services  
Property Records Division  
Yellow Medicine County, Minnesota  
I hereby certify that the within instrument  
was filed on October 26, 2018 at 1:30 PM

Janel Timm, Yellow Medicine County Recorder

By [Signature] Deputy

## Statement of Evidence

In 1867, David Watson did the original subdivision of the township.

On September 12, 2017, Bueltel-Moseng Land Surveying dug with a backhoe and found nothing.

On April 9, 2018, Bueltel-Moseng Land Surveying set a 5/8" iron with seal #43844 midway and on line between the section corners. It is 4'± west of the center of the road.