

CERTIFICATE OF LOCATION OF GOVERNMENT CORNER

Corner to Section 1 Township 114 N Range 39 W No. _____

STATE OF MINNESOTA,

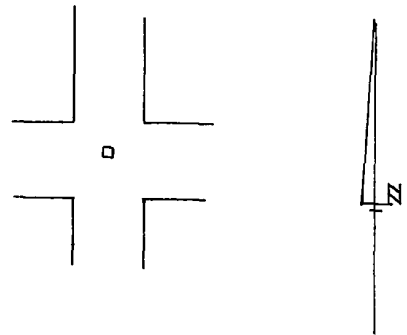
County of Yellow Medicine S.S.

I hereby certify that on the 9th day of November 1976,
that I, Lyle E. Moseng, a Registered Land Surveyor, ~~County Surveyor,~~
~~County Highway Engineer,~~ found the Northeast corner of Section 1
_____ which was evidenced by 1" square metal pin

_____ and I further certify that to perpetuate the
location of such corner I did, at the exact location thereof, place a permanent
marker consisting of _____ Left as Found.

I further certify that I established _____ references or witness monuments consist-
ing of _____ which reference or witness monuments are
located in the manner following.

no ties; in the center of the roads



Dated at Marshall, Minnesota, this 29th day of May, 1980.

183005
OFFICE OF THE REGISTER OF DEEDS

County of Yellow Medicine

Lyle E. Moseng
~~County Surveyor, County Highway Engineer~~
Registered Land Surveyor No. 11943

I hereby certify that the within instrument was filed in this office for
record on the 16 day of November A.D., 1983, at 2:15 o'clock P.M.

Norman J. Opdahl, County Recorder

Register of Deeds

by Kay Nerdahl Deputy

CERTIFICATE OF LOCATION OF GOVERNMENT CORNER

EAST QUARTER Corner of Section 2, Township 114, Range 39, 5TH P.M.

STATE OF MINNESOTA, County of YELLOW MEDICINE

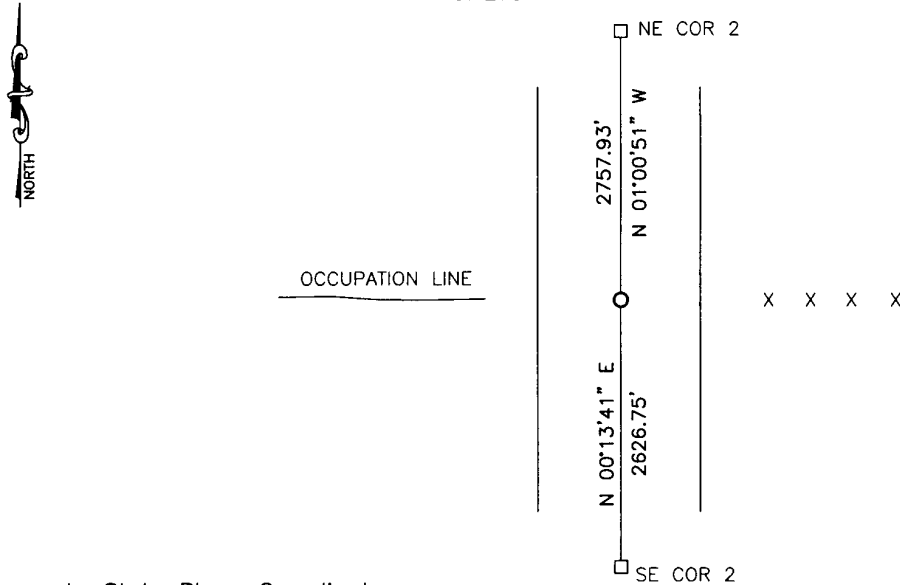
At the corner location shown on the sketch:

On 4/21/16 found a 10"x12"x20" stone
DATE

left monument as found, lowered monument, removed monument (explain)

On 4/21/16 placed a 5/8" iron with seal #43844
DATE

SKETCH OF REFERENCE TIES



Minnesota State Plane Coordinate
System Yellow Medicine County Datum
NAD83 (1996)

N: 161244.675
E: 603224.963

Statement of evidence relative to this corner location is on back of page.

I hereby certify that this document and the data contained herein was prepared by me or under my direct supervision.

[Signature] 1/30/17
SIGNATURE DATE

Registration No. 43844

- Land Surveyor, Professional Engineer
- County Surveyor, County Engineer

Doc# 265748 Fee: \$0.00 2 Pages

Property & Public Services
Property Records Division
Yellow Medicine County, Minnesota
I hereby certify that the within instrument was filed on February 16, 2017 at 9:45 AM

Janel Timm, Yellow Medicine County Recorder

By [Signature] Deputy

Statement of Evidence

In September, 1864, Chas E. Davis and J.W. Webb Jr. did the original subdivision of the township.

On May 19, 1885, County Surveyor, found pit and mound at the corner. He set a stone and post in place of the pit and mound.

On September 23, 1921, John Norgaard, County Surveyor, found a stake and a stone at the corner.

On September 23, 2013, Marihart Surveying found a monument at the corner.

On April 21, 2016, Bueltel-Moseng Land Surveying dug with a backhoe and found a 10"x12"x20" stone with a wood stake on the northeast of stone. We placed 3/8" iron on the west side of stone and a 5/8" iron with seal #43844 at the surface of road over stone.

CERTIFICATE OF LOCATION OF GOVERNMENT CORNER

NORTH QUARTER Corner of Section 2, Township 114, Range 39, 5TH P.M.

STATE OF MINNESOTA, County of YELLOW MEDICINE

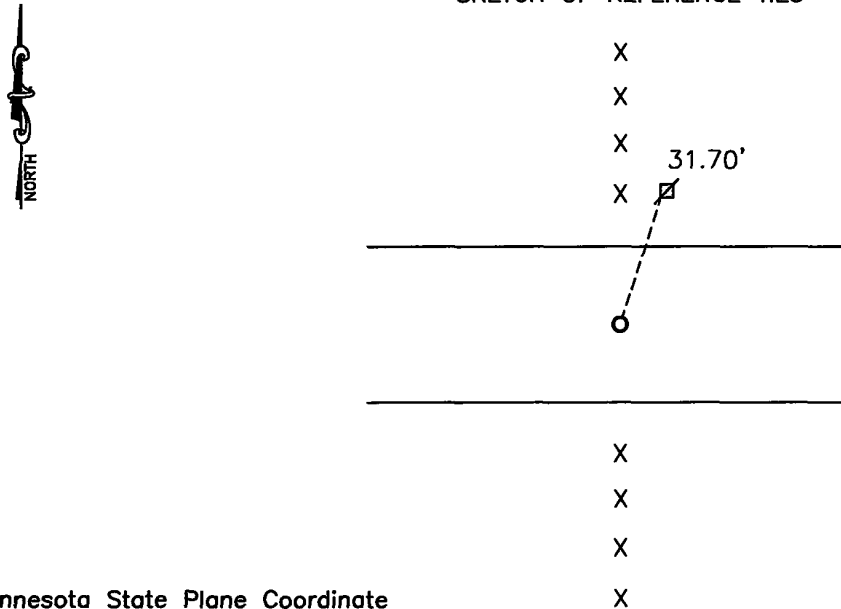
At the corner location shown on the sketch:

On 03-23-2012 found a 3 stones stacked on top of each other and a point oak
DATE stake next to the stones.

left monument as found, lowered monument, removed monument (explain)

On 03-23-2012 placed a cast iron monument.
DATE

SKETCH OF REFERENCE TIES



Minnesota State Plane Coordinate
System Yellow Medicine County Datum
NAD83 (1996)

N: 163991.032
E: 600517.053

Nail and seal in utility pole NNE 31.70'

Statement of evidence relative to this corner location is on back of page.

I hereby certify that this document and the data contained herein was prepared by me or under my direct supervision

[Signature] 2/18/13
SIGNATURE DATE

Registration No. 43844

Land Surveyor, Professional Engineer
 County Surveyor, County Engineer

OFFICE OF THE COUNTY RECORDER
County of _____

I hereby certify that this document was filed in the Co. Recorders office at _____ .M on the _____ day of _____ A.D. 20 _____

County Recorder _____

By _____, Deputy

DOCUMENT NO. _____

Statement of Evidence

In 1858, W. J. Neeley did the original survey of the north line of the township.

On September 23, 1921, John Norgaard found a stone at the corner in line with the fence line running north.

On March 23, 2012, Bueltel-Moseng Land Surveying dug with a backhoe and found 3 stones stacked on top of each other, just below the gravel surface, with a pointed oak stake next to them. We removed the top 2 stones and set a cast iron monument over the lower stone.

N/C
Bueltel-Moseng Land Surveying
PO Box 32
Marshall, MN 56258

Doc# 257325 Fee: \$0.00 2 Pages
Property & Public Services
Property Records Division
Yellow Medicine County, Minnesota
I hereby certify that the within instrument
was filed on March 22, 2013 at 9:50 AM

Janel Timm, Yellow Medicine County Recorder

By Debra Blom Deputy

CERTIFICATE OF LOCATION OF GOVERNMENT CORNER

Corner to Section 2 Township 114 N Range 39 W No. _____

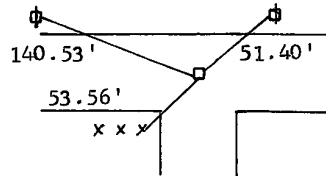
STATE OF MINNESOTA,

County of Yellow Medicine S.S.

I hereby certify that on the 9th day of November 1976,
 that I, Lyle E. Moseng, a Registered Land Surveyor, ~~County Surveyor,~~
~~County Highway Engineer,~~ found the Northeast corner of Section 2
 which was evidenced by a 1"x2" wood stake with a nail and flagging; with the
use of county hwy ties and I further certify that to perpetuate the
 location of such corner I did, at the exact location thereof, place a permanent
 marker consisting of 2" iron pipe.

I further certify that I established 3 references or witness monuments consist-
 ing of a corner fence post & two power poles which reference or witness monuments are
 located in the manner following.

Dh nail & bc in PP	NE	51.40 ft
Dh nail & bc in CFP	SW	53.56 ft
Dh nail & bc in PP	NW	140.53 ft



Dated at Marshall, Minnesota, this 29th day of May, 1980.

Lyle E. Moseng
~~County Surveyor, County Highway Engineer,~~
 Registered Land Surveyor No. 11943

183006
 OFFICE OF THE REGISTER OF DEEDS

County of Yellow Medicine

I hereby certify that the within instrument was filed in this office for
 record on the 16 day of November A.D., 1983, at 2:20 o'clock P.M.

Norman J. Opdahl, County Recorder
 Register of Deeds
 by Kay Nordahl Deputy

CERTIFICATE OF LOCATION OF GOVERNMENT CORNER

Northeast Corner of Section 6, Township 114N, Range 39W, 5th P.M.
STATE OF MINNESOTA, County of Yellow Medicine

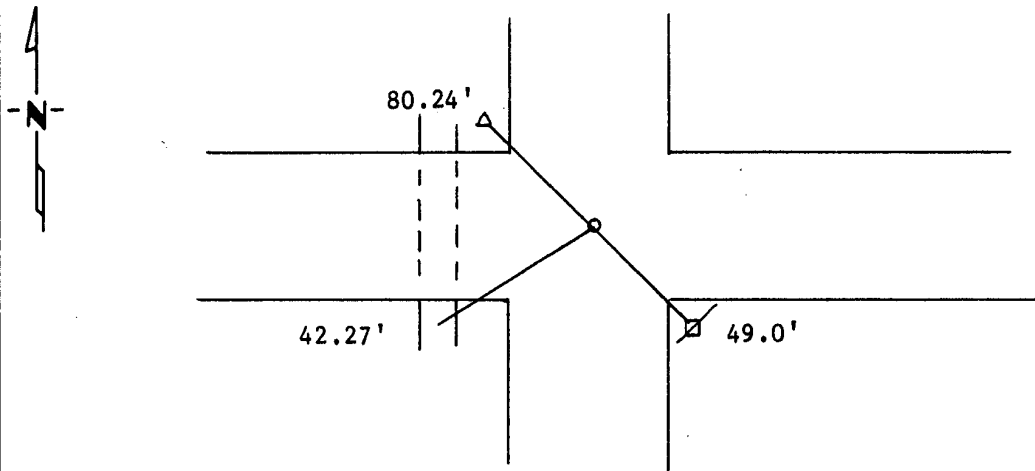
At the corner location shown on the sketch:

On 4/25/77 found a Granite stone in middle of intersection.
DATE

left monument as found, lowered monument, removed monument (explain)

On 4/25/77 placed a 5/8" rerod with seal 9" long on top of it.
DATE

SKETCH OF REFERENCE TIES



PK Nail in 18" CMP SW 42.27'
Nail and Bottel Cap Power Pole SE 49.00'
Nail and Bottel Cap Telephone Pedastel NW 80.24'

Statement of evidence relative to this corner location is on back of page.

I hereby certify that this document and the data contained herein was prepared by me or under my direct supervision.

Leyle C. Mooring 2/22/1989
SIGNATURE DATE

Registration No. 11943

- Land Surveyor, Professional Engineer
- County Surveyor, County Engineer

OFFICE OF THE COUNTY RECORDER

County of Yellow Medicine

I hereby certify that this document was filed in the Co. Recorders office at 9:55 A.M. on the 8 day of November A.D., 19 89

County Recorder Norman Goddard

By _____, Deputy

DOCUMENT NO. 196204

Statement of Evidence:

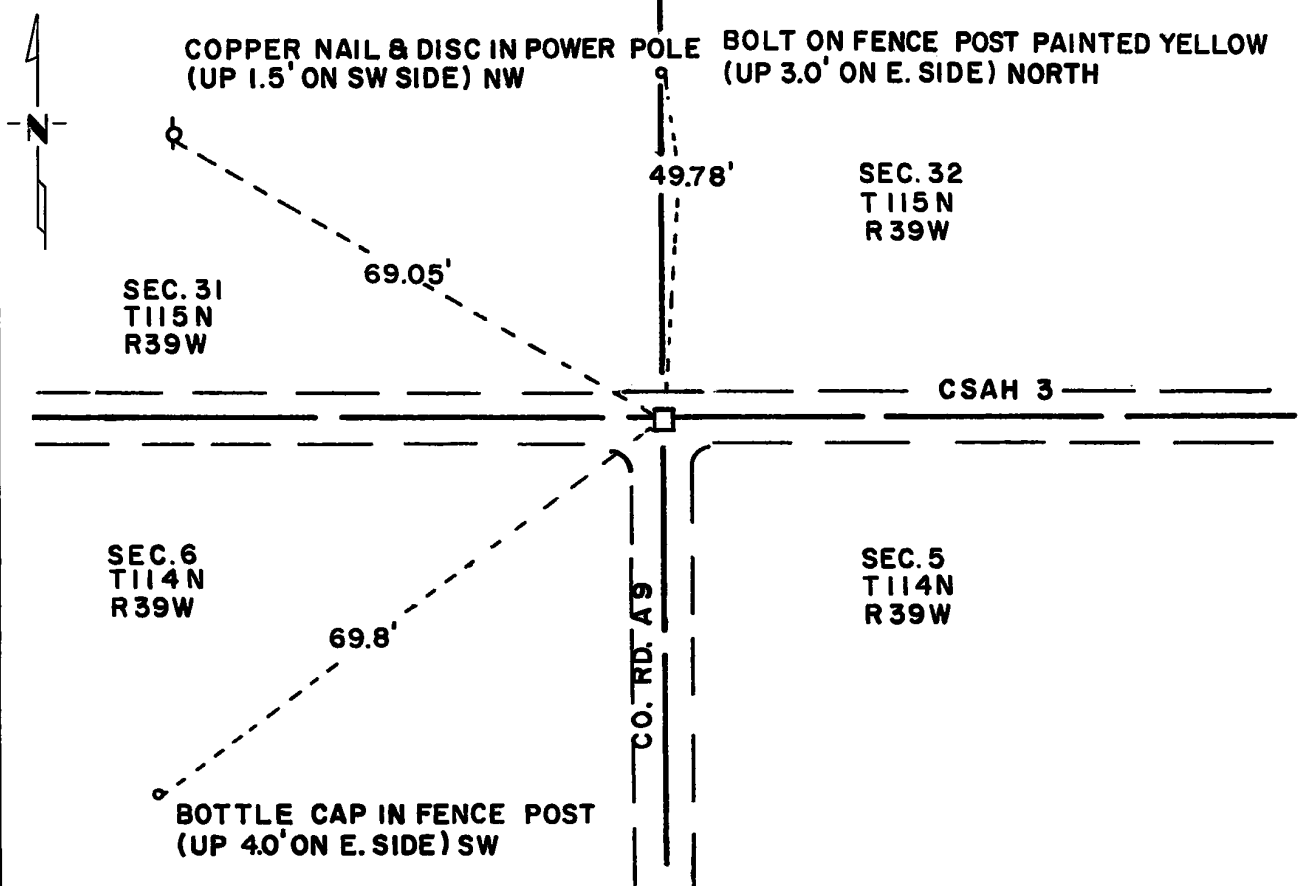
CERTIFICATE OF LOCATION OF GOVERNMENT CORNER

Northeast Corner of Section 6, Township 114N, Range 39W, 5th P.M.
STATE OF MINNESOTA, County of Yellow Medicine

At the corner location shown on the sketch:

- On Sept. 29, 1971 found a 6 inch x 6 inch x 24 inch jasper monument with stone
on top (1 foot below surface)
 left monument as found, lowered monument, removed monument (explain)
- On _____ placed a _____
DATE

SKETCH OF REFERENCE TIES



Statement of evidence relative to this corner location is on back of page.

I hereby certify that this document and the data contained herein was prepared by me or under my direct supervision.

Jesse E. Fant 12/4/73
SIGNATURE DATE

Registration No. 3230

- Land Surveyor, Professional Engineer
- County Surveyor, County Engineer

OFFICE OF THE REGISTER OF DEEDS
County of Yellow Medicine

I hereby certify that this document was filed in the Reg. of Deeds office at 9:45 A.M. on the 11 day of January A.D., 19 74

Register of Deeds Norman J. Opdahl

By Kay Nerdahl, Deputy

DOCUMENT NO. 162722

Statement of Evidence: NORTHEAST CORNER SECTION 6, T114N, R39W

The original Public Land Survey was run in 1858 and a wood post was set in a mound with pits to mark the corner.

In 1901 John Norgaard, County Surveyor, found a stone and iron bolt that he had set years before and set a 6 inch x 6 inch x 24 inch jasper monument to mark the corner.

In 1914 and 1934 Norgaard found the monument that he had set in 1901.

In 1940 and 1971 the Yellow Medicine County Highway Department located the monument.

On September 29, 1971 the Minnesota Highway Department found the monument at centerline of east-west road and on fence line north and road south.

An analysis of the record data dating to the original monument provides a continuous chain of perpetuation of the original Public Land Survey corner.

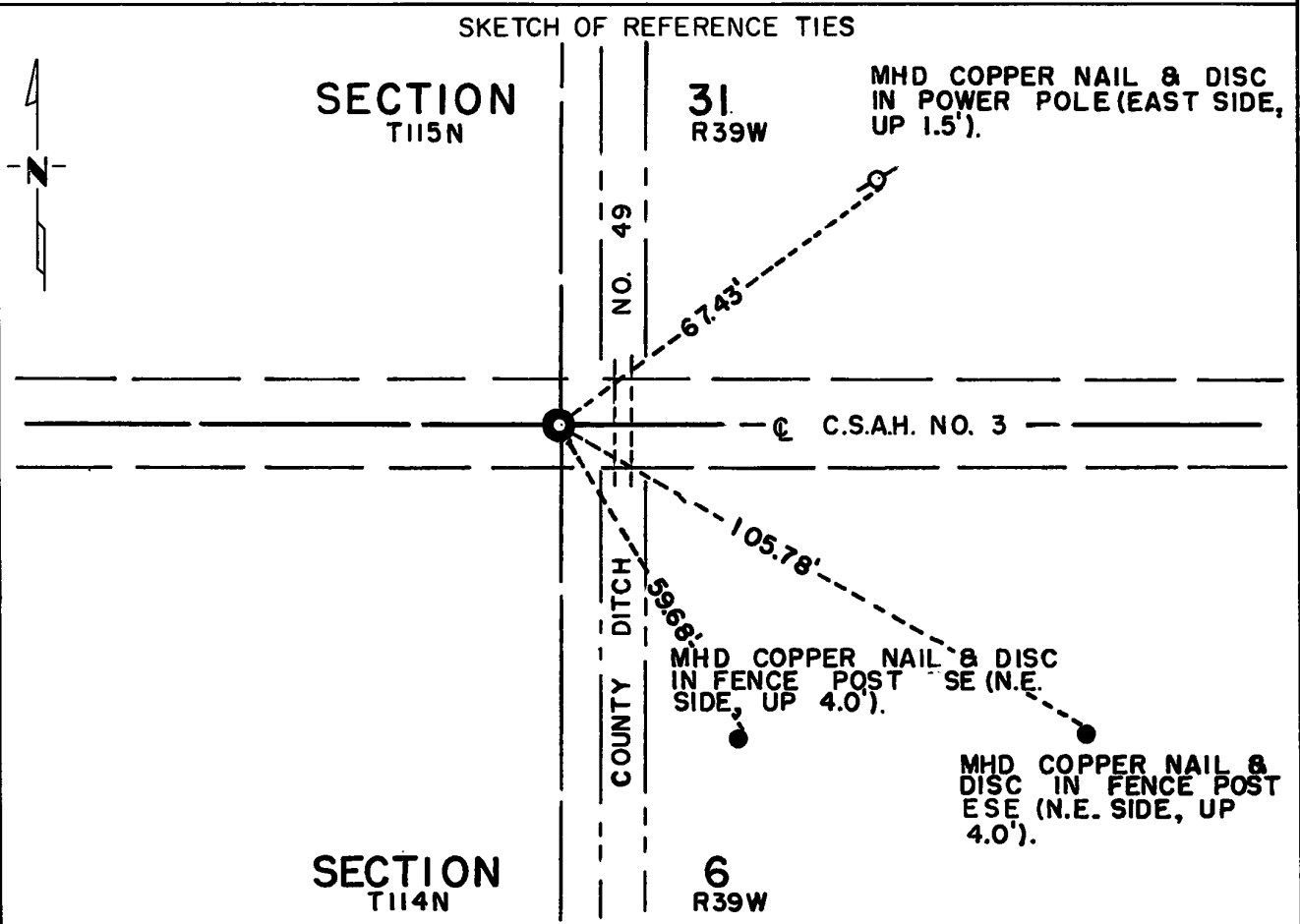
For details of survey analysis, photographs taken during excavation, and 1972 electronic survey measurements, see Survey Report for S.P. 4203 and 8701 on file in the Surveys Section, Minnesota Highway Department, Willmar, Minnesota.

CERTIFICATE OF LOCATION OF GOVERNMENT CORNER

North Quarter _____ Corner of Section 6, Township 114N, Range 39W, 5th P.M.
 STATE OF MINNESOTA, County of Yellow Medicine

At the corner location shown on the sketch:

- On Oct. 20, 1971 found a 15 inch x 18 inch x 12 inch field stone down 2.5 feet
DATE
- left monument as found, lowered monument, removed monument (explain)
- On Sept. 1, 1972 placed a Minnesota Highway Department cast iron monument over stone. (down 0.3 feet)
DATE



Statement of evidence relative to this corner location is on back of page.

I hereby certify that this document and the data contained herein was prepared by me or under my direct supervision.

Jesse E. Fant 10/11/73
SIGNATURE DATE
 Registration No. 3230
 Land Surveyor, Professional Engineer
 County Surveyor, County Engineer

OFFICE OF THE REGISTER OF DEEDS
 County of Yellow Medicine

I hereby certify that this document was filed in the Reg. of Deeds office at 9:40 A.M. on the 11 day of January A.D., 1974
 Register of Deeds Norman J. Opdahl
 By Kay Nordahl, Deputy
 DOCUMENT NO. 162721

Statement of Evidence: NORTH QUARTER CORNER SECTION 6, T114N, R39W

The original Public Land Survey was run in 1858 and a wood post was set as a witness post 4.88 chains east of the corner. The corner was in a marshy area.

In 1914, John Norgaard, County Surveyor, set the North Quarter corner on line and at proportionate distances between the section corners. Norgaard placed a stone to mark the corner.

In 1934, Norgaard located the stone again.

On October 20, 1971, the Minnesota Highway Department excavated 8 feet x 12 feet x 3 feet deep and found the stone on centerline of east-west road and on field division north and power line south.

An analysis of the record data compared to 1972 field measurements indicates that the stone is the accepted location of the original Public Land Survey corner.

For details of survey analysis, photographs taken during excavation, and 1972 electronic survey measurements, see Survey Report for S.P. 4203 and 8701 on file in the Surveys Section, Minnesota Highway Department, Willmar, Minnesota.

Corners to be Indexed

E1/4 COR. SEC. 12-114-39
 W1/4 COR. SEC. 12-114-39
 E1/4 COR. SEC. 11-114-39
 S1/4 COR. SEC. 12-114-39
 N1/4 COR. SEC. 13-114-39
 SE COR. SEC. 12-114-39
 NE COR. SEC. 13-114-39

Doc# 277299 Fee: \$0.00 2 Pages

Property & Public Services
 Property Records Division
 Yellow Medicine County, Minnesota
 I hereby certify that the within instrument
 was filed on February 1, 2022 at 9:15 AM

I hereby certify that this document and the data
 contained herein was prepared by me or under
 my direct supervision.

[Signature] 1/7/2022
 Daniel L. Bueltel Date

License No. 43844

Janel Timm, Yellow Medicine County Recorder

By *[Signature]* Deputy

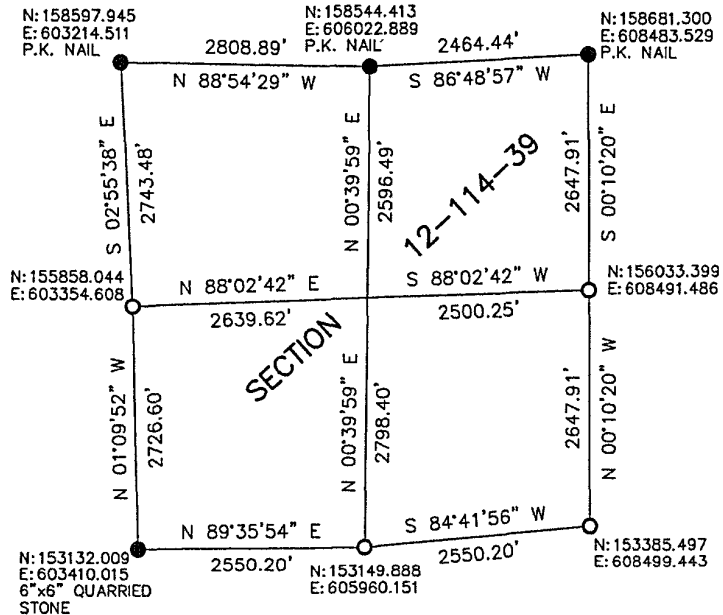
CERTIFICATE OF LOCATION OF GOVERNMENT CORNER

Land survey monuments situated in Section 12, Township 114, Range 39, 5TH P.M.

STATE OF MINNESOTA, County of YELLOW MEDICINE



- FOUND MONUMENT
- SET MONUMENT
 -5/8" IRON
 W/SEAL #43844



Yellow Medicine County Coordinate System (1996 Adj.)

Statement of Evidence: SECTION 12-114-39

E1/4 COR. SEC. 12-114-39

On May 19, 2021 Bueltel-Moseng Land Surveying set a 5/8" iron with seal #43844 midway and on line in between the section corners.

W1/4 COR. SEC. 12-114-39(E1/4 COR. 11-114-39)

On May 19, 2021 Bueltel-Moseng Land Surveying set a 5/8" iron with seal #43844 using existing occupation lines running east-west and north-south.

S1/4 COR. SEC. 12-114-39(N1/4 COR. 13-114-39)

On May 21, 1930 John Norgaard found government corner 1900 - set stone in government mound at the time according to farmer, 109 feet south of line between section corners.

On May 19, 2021 Bueltel-Moseng Land Surveying dug with backhoe and found nothing, set a 5/8" iron with seal #43844 mid way between section corners and 109 feet south of line per John Norgaards notes.

SE COR. SEC. 12-114-39(NE COR. 13-114-39)

On May 21, 1930 John Norgaard found a monument with stones on the sides of the monument.

On May 19, 2021 Bueltel-Moseng Land Surveying found a county spike, pulled spike and dug with backhoe, nothing was found, held to position of county spike and set a 5/8" iron with seal #43844.

SW COR. SEC. 12-114-39(NE COR. 14-114-39)

On May 19, 2021 Bueltel-Moseng Land Surveying found a 1/2" iron, removed iron and dug with backhoe, Found 6"x6" quarried jasper monument 4"± below road surface, placed 1/2" iron on south side of jasper monument.

CERTIFICATE OF LOCATION OF GOVERNMENT CORNER

Corner to Section 17 Township 114 N Range 39 W No. _____

STATE OF MINNESOTA,

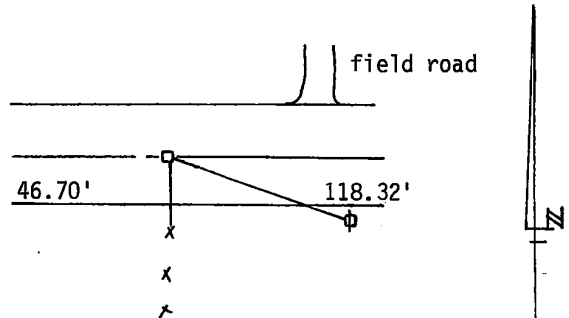
County of Yellow Medicine S.S.

I hereby certify that on the 30th day of June 1980,
 that I, Lyle E. Moseng, a Registered Land Surveyor, ~~County Surveyor,~~
~~County Highway Engineer,~~ ^{SET} found the North Quarter corner of Section 17
 which was evidenced by see back

and I further certify that to perpetuate the location of such corner I did, at the exact location thereof, place a permanent marker consisting of 5/8 inch rerod w/seal flush with existing asphalt surface.
 I further certify that I established 2 references or witness monuments consisting of a fence post & a power pole which reference or witness monuments are located in the manner following.

Dh nail & bc in PP SE 118.32'
 Dh nail & bc in PP S 46.70'

corner is on the painted centerline of the Co. Rd.



Dated at Marshall, Minnesota, this 14th day of July, 1980.

Lyle E. Moseng
~~County Surveyor, County Highway Engineer,~~
 Registered Land Surveyor No. 11943

183007
 OFFICE OF THE REGISTER OF DEEDS

County of Yellow Medicine

I hereby certify that the within instrument was filed in this office for record on the 16 day of November A.D., 1983 at 2:25 o'clock P.M.

Norman J. Ogdahl, County Recorder
 Register of Deeds

by Kay Ogdahl Deputy

We dug for the recorded stone & bolt and found nothing; we did find a nail & lath 4" below existing asphalt surface and found another nail & lath 14" deeper. We measured a distance from the northwest corner, which was from John Nordgard in his 1935 notes, 2655 feet east, and set our rerod. Our rerod was 18" west of spike 14" deep and 30" west of spike 4" deep, which it also was 18" west of the fence line to the south.

CERTIFICATE OF LOCATION OF GOVERNMENT CORNER

Corner to Section 19 Township 114 N Range 39 W No. _____

STATE OF MINNESOTA,

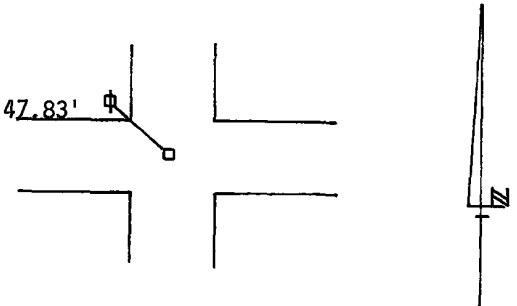
County of Yellow Medicine S.S.

I hereby certify that on the 30th day of June 1980,
that I, Lyle E. Moseng, a Registered Land Surveyor, ~~County Surveyor,~~
~~County Highway Engineer,~~ found the Northeast corner of Section 19
_____ which was evidenced by a wood stake with an 2 1/2 inch iron bolt along side
we dug w/ Back hoe and find nothing else and I further certify that to perpetuate the
location of such corner I did, at the exact location thereof, place a permanent
marker consisting of 5/8" rerod with/seal 6" below existing gravel surface.
I further certify that I established 1 references or witness monuments consist-
ing of a power pole which reference or witness monuments are
located in the manner following.

Dh nail & bc in PP

NW 47.83 ft

47.83'



Dated at Marshall, Minnesota, this 14th day of July, 1980.

183008
OFFICE OF THE REGISTER OF DEEDS

County of Yellow Medicine

Lyle E. Moseng
~~County Surveyor, County Highway Engineer,~~
Registered Land Surveyor No. 11943

I hereby certify that the within instrument was filed in this office for
record on the 16 day of November A.D., 1983, at 2:30 o'clock P.M.

Norman J. Opdahl, County Recorder

Register of Deeds

by Kay Nordahl Deputy

CERTIFICATE OF LOCATION OF GOVERNMENT CORNER

Corner to Section 20 Township 114 N Range 39 W No. _____

STATE OF MINNESOTA,

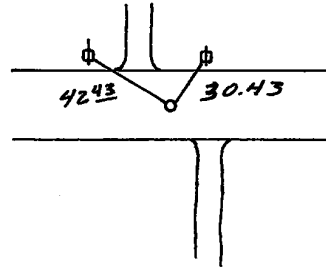
County of Yellow Medicine S.S.

I hereby certify that on the 1st day of July 1980,
that I, Lyle E. Moseng, a Registered Land Surveyor, ~~County Surveyor,~~
~~County Highway Engineer,~~ ^{SET} found the North Quarter corner of Section 20
_____ which was evidenced by _____ see back

_____ and I further certify that to perpetuate the
location of such corner I did, at the exact location thereof, place a permanent
marker consisting of 5/8" rerod w/seal 6" below existing gravel surface.

I further certify that I established 2 references or witness monuments consist-
ing of a power pole & brace pole which reference or witness monuments are
located in the manner following.

Dh nail & bc in PP NE 30.43 ft
Dh nail & bc in brace pole NW 42.43 ft



Dated at Marshall, Minnesota, this 14th day of July, 1980.

Lyle E. Moseng
~~County Surveyor, County Highway Engineer~~
Registered Land Surveyor No. 11943

183010
OFFICE OF THE REGISTER OF DEEDS

County of Yellow Medicine

I hereby certify that the within instrument was filed in this office for
record on the 16 day of November A.D., 1983, at 2:40 o'clock P.M.

Norman J. Opdahl, County Recorder
Register of Deeds
by Kay Nordahl Deputy

We dug a hole with a backhoe and found nothing; we set the corner on line and midway between the section corners. Total distance was 5278.65 feet, midway was 2639.325 feet.

CERTIFICATE OF LOCATION OF GOVERNMENT CORNER

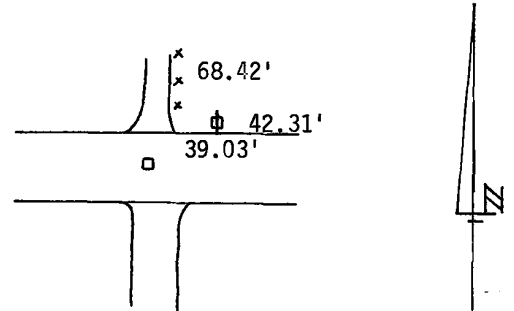
Corner to Section 20 Township 114 N Range 39 West No. _____

STATE OF MINNESOTA,

County of Yellow Medicine S.S.

I hereby certify that on the 30th day of June 1980,
that I, Lyle E. Moseng, a Registered Land Surveyor, ~~County Surveyor,~~
~~County Highway Engineer,~~ found the Northeast corner of Section 20
which was evidenced by a square granite stone 3" below existing gravel road with
an old latb below the stone and I further certify that to perpetuate the
location of such corner I did, at the exact location thereof, place a permanent
marker consisting of left as found; we put R/R spikes on the north and south side of the stone.
I further certify that I established 3 references or witness monuments consist-
ing of a power pole & two fence posts which reference or witness monuments are
located in the manner following.

Dh nail & bc in FP	NNE 39.03 ft
Dh nail & bc in FP	NNE 68.42 ft
Dh nail & bc in FP	NE 42.31 ft



Dated at Marshall, Minnesota, this 14th day of July, 1980.

183009
OFFICE OF THE REGISTER OF DEEDS

County of Yellow Medicine

Lyle E. Moseng
~~County Surveyor, County Highway Engineer,~~
Registered Land Surveyor Nd1943

I hereby certify that the within instrument was filed in this office for
record on the 16 day of November A.D., 1983, at 2:35 o'clock P.M.

Norman J. Opdahl, County Recorder

Register of Deeds

by Kay Nordahl Deputy

CERTIFICATE OF LOCATION OF GOVERNMENT CORNER

East Quarter Corner of Section 21, Township 114, Range 39, 5th P.M.

STATE OF MINNESOTA, County of Yellow Medicine

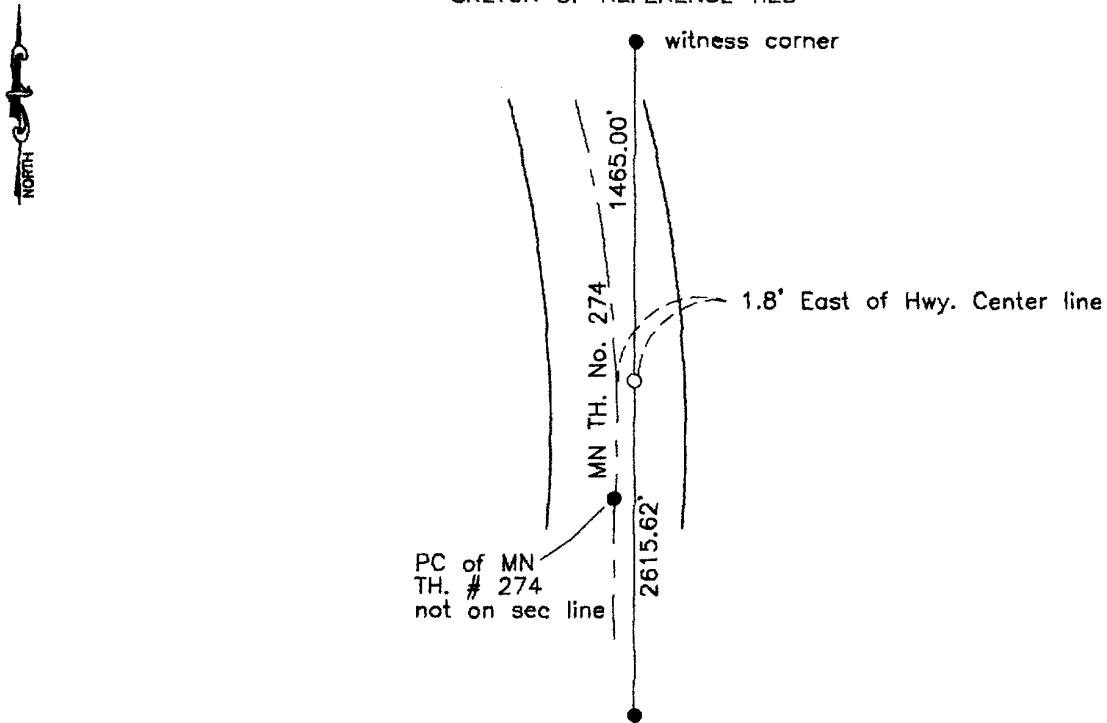
At the corner location shown on the sketch:

On _____ found a _____
DATE

left monument as found, lowered monument, removed monument (explain)

On June 20, 2001 placed a 5/8 inch iron stake with seal #11943
DATE

SKETCH OF REFERENCE TIES



Statement of evidence relative to this corner location is on back of page.

I hereby certify that this document and the data contained herein was prepared by me or under my direct supervision.

Steve C Moring 7-17-01
SIGNATURE DATE

Registration No. 11943

Land Surveyor, Professional Engineer
 County Surveyor, County Engineer

OFFICE OF THE COUNTY RECORDER
County of _____

I hereby certify that this document was filed in the Co. Recorders office at 10:15 A.M on the 13 day of August A.D. ~~X9~~ 2001

County Recorder Kay Nerdahl

By Steve Rohlik, Deputy

DOCUMENT NO. 226589

Statement of Evidence

In May of 1914, John Norguard recored corner as midway and on line. Nothing was recorded as set.

On June 20, 2001 Moseng Land Surveying set a 5/8" iron stake with seal #11943. The corner was set midway and on line using the notes from May 1914.

CERTIFICATE OF LOCATION OF GOVERNMENT CORNER

Northeast Corner of Section 22, Township 114, Range 39, 5th P.M.

STATE OF MINNESOTA, County of Yellow Medicine

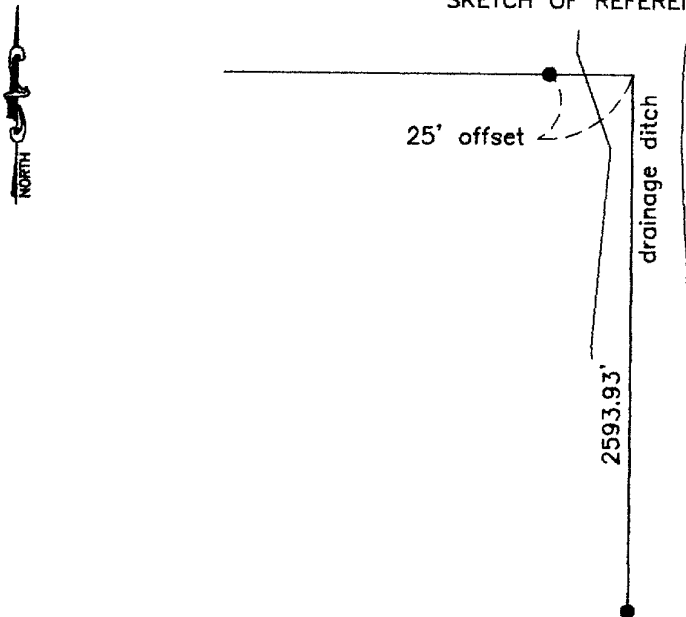
At the corner location shown on the sketch:

On June 19, 2001 found a 1/2 inch pipe on a 25 foot offset to the west

left monument as found, lowered monument, removed monument (explain)

On _____ placed a _____

SKETCH OF REFERENCE TIES



Statement of evidence relative to this corner location is on back of page.

I hereby certify that this document and the data contained herein was prepared by me or under my direct supervision.

[Signature] 7-16-01
SIGNATURE DATE

Registration No. 11943

Land Surveyor, Professional Engineer
 County Surveyor, County Engineer

OFFICE OF THE COUNTY RECORDER
County of _____

I hereby certify that this document was filed in the Co. Recorders office at 10:20 A.M on the 13 day of August A.D. 2001

County Recorder Kay Nerdahl

By Alic Rohlik, Deputy

DOCUMENT NO. 226590

Statement of Evidence

On November 7, 1979, Southwest Engineering (Willard Pellinen), set a 1/2 inch pipe 438' north of fence line and on a 25' offset.

On June 19, 2001, Moseng Land Surveying found a 1/2" pipe from the notes of Willard Pellinen.

CERTIFICATE OF LOCATION OF GOVERNMENT CORNER

East _____ Corner of Section 22, Township 114, Range 39, 5th P.M.

STATE OF MINNESOTA, County of Yellow Medicine

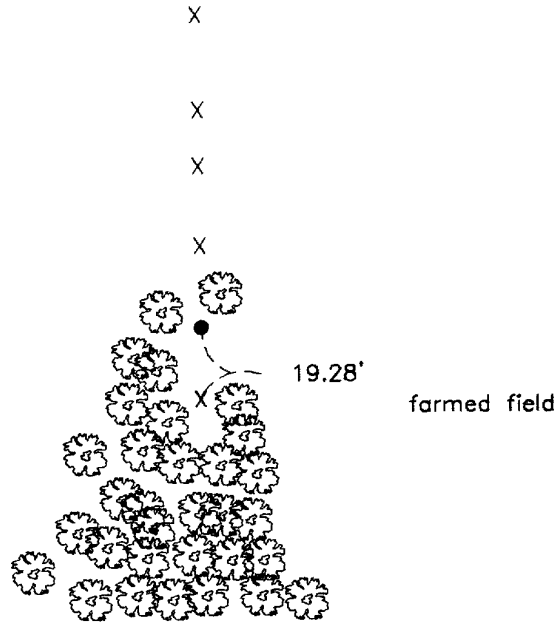
At the corner location shown on the sketch:

On June 19, 2001 found a 3 inch semi-circle iron
DATE

left monument as found, lowered monument, removed monument (explain)

On _____ placed a _____
DATE

SKETCH OF REFERENCE TIES



Statement of evidence relative to this corner location is on back of page.

I hereby certify that this document and the data contained herein was prepared by me or under my direct supervision.

Agli C. Moway 7-16-01
SIGNATURE DATE

Registration No. 11943

- Land Surveyor, Professional Engineer
- County Surveyor, County Engineer

OFFICE OF THE COUNTY RECORDER
County of _____

I hereby certify that this document was filed in the Co. Recorders office at 10:25 A.M on the 13 day of August A.D. ~~19~~ 2001

County Recorder Kay Nerdahl
By *Steve Rohlik*, Deputy

DOCUMENT NO. 226591

Statement of Evidence

In May 1914, John Nordgaard, recorded setting the corner on line and equal distance between section corners.

On November 7, 1979, Southwest Engineering (Willard Pellinen), found a 3" semi-circle iron bar and is 3.5 feet longer than the recorded distance, but equal distance ± 0.5 feet between section corners.

On June 19, 2001, Moseng Land Surveying found 3' semi-circle iron bar from the notes of Willard Pellinen.

CERTIFICATE OF LOCATION OF GOVERNMENT CORNER

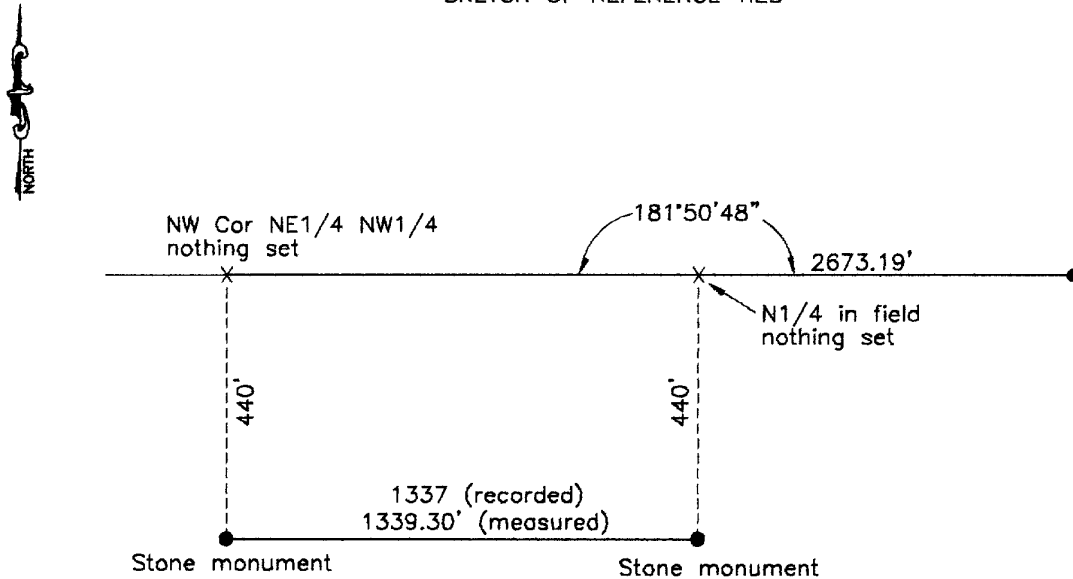
North Quarter Corner of Section 22, Township 114, Range 39, 5th P.M.

STATE OF MINNESOTA, County of Yellow Medicine

At the corner location shown on the sketch:

- On June 19, 2001 found 2 pointed field stones
DATE
- left monument as found, lowered monument, removed monument (explain)
- On _____ placed a _____
DATE

SKETCH OF REFERENCE TIES



Statement of evidence relative to this corner location is on back of page.

I hereby certify that this document and the data contained herein was prepared by me or under my direct supervision.

Lyle C. Muesy 7-16-01
SIGNATURE DATE

Registration No. 11943
 Land Surveyor, Professional Engineer
 County Surveyor, County Engineer

OFFICE OF THE COUNTY RECORDER
 County of _____

I hereby certify that this document was filed in the Co. Recorders office at 10:30 A.M on the 13 day of August A.D. 2001

County Recorder Kay Nerdahl
 By Steve Rohlik, Deputy
 DOCUMENT NO. 226592

Statement of Evidence

In May of 1914, John Norgaard, County Surveyor, set 2 pointed field stones. The first was set south of the North Quarter, 440 feet. The other was set 440 feet south of the North 1/16 line.

On June 19, 2001, Moseng Land Surveying found 2 pointed field stones using notes from 1914.

CERTIFICATE OF LOCATION OF GOVERNMENT CORNER

NORTHEAST Corner of Section 23, Township 114, Range 39, 5TH P.M.

STATE OF MINNESOTA, County of YELLOW MEDICINE

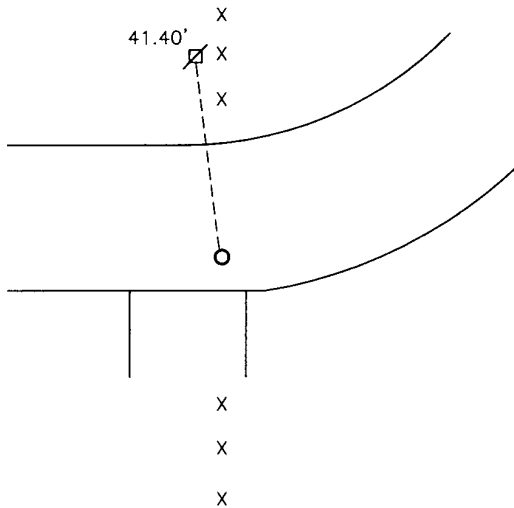
At the corner location shown on the sketch:

On 4/2/15 found a old wood post
DATE

left monument as found, lowered monument, removed monument (explain)

On 4/2/15 placed a 5/8" iron with seal #43844
DATE

SKETCH OF REFERENCE TIES



Minnesota State Plane Coordinate
System Yellow Medicine County Datum
NAD83 (1996)

N: 147927.104
E: 603378.519

Nail and survey marker in utility pole NNW 41.40'

Statement of evidence relative to this corner location is on back of page.

I hereby certify that this document and the data contained herein was prepared by me or under my direct supervision.

[Signature] 3/2/16
SIGNATURE DATE

Registration No. 43844

Land Surveyor, Professional Engineer
 County Surveyor, County Engineer

OFFICE OF THE COUNTY RECORDER

County of _____

I hereby certify that this document was filed in the Co. Recorders office at _____ .M on the _____ day of _____ A.D. 20 _____

County Recorder _____

By _____, Deputy

DOCUMENT NO. _____

Statement of Evidence

In September, 1864, Chas E. Davis and J.W. Webb Jr. did the original subdivision of the township.

In September 1917, John Norgaard, County Surveyor, found a jasper stone monument at the corner.

In 1932, John Norgaard, County Surveyor recorded distances to the corner, while doing a survey in Section 23-114-39.

On April 2, 2015, Bueltel-Moseng Land Surveying dug with a backhoe, we were not able to find a stone and found an old wooden fence post, straight up and down below the surface of the road. We removed the post and set 5/8" iron with seal #43844 in place of the post at road surface.

Doc# 263815 Fee: \$0.00 2 Pages

Property & Public Services

Property Records Division

Yellow Medicine County, Minnesota

I hereby certify that the within instrument
was filed on March 28, 2016 at 11:40 AM

Janel Timm, Yellow Medicine County Recorder

By Debra Blend Deputy

CERTIFICATE OF LOCATION OF GOVERNMENT CORNER

EAST QUARTER Corner of Section 23, Township 114, Range 39, 5TH P.M.

STATE OF MINNESOTA, County of YELLOW MEDICINE

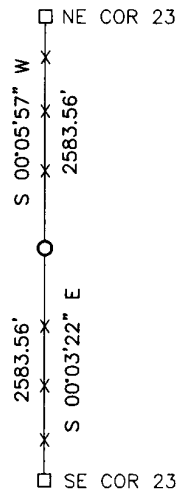
At the corner location shown on the sketch:

On _____ found a _____
DATE

left monument as found, lowered monument, removed monument (explain)

On 4/2/15 placed a 5/8" iron with seal #43844
DATE

SKETCH OF REFERENCE TIES



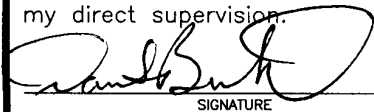
Minnesota State Plane Coordinate
System Yellow Medicine County Datum
NAD83 (1996)

NO TIES

N: 145343.543
E: 603374.050

Statement of evidence relative to this corner location is on back of page.

I hereby certify that this document and the data contained herein was prepared by me or under my direct supervision.


SIGNATURE

3/2/16
DATE

Registration No. 43844

Land Surveyor, Professional Engineer
 County Surveyor, County Engineer

OFFICE OF THE COUNTY RECORDER

County of _____

I hereby certify that this document was filed in the Co. Recorders office at _____ .M on the _____ day of _____ A.D. 20 _____

County Recorder _____

By _____, Deputy

DOCUMENT NO. _____

Statement of Evidence

In September, 1864, Chas E. Davis and J.W. Webb Jr. did the original subdivision of the township.

In 1932, John Norgaard, County Surveyor, recorded distances to the corner, while doing a survey in Section 23-114-39.

On April 2, 2015, Bueltel-Moseng Land Surveying searched the area midway and online between section corners, found nothing. We set 5/8" iron with seal #43844 at equal distances between section corners and in the fence line.

Doc# 263814 Fee: \$0.00 2 Pages

Property & Public Services
Property Records Division
Yellow Medicine County, Minnesota
I hereby certify that the within instrument
was filed on March 28, 2016 at 11:35 AM

Janel Timm, Yellow Medicine County Recorder

By Debra Beard Deputy

CERTIFICATE OF LOCATION OF GOVERNMENT CORNER

NORTH QUARTER Corner of Section 26, Township 114, Range 39, 5TH P.M.

STATE OF MINNESOTA, County of YELLOW MEDICINE

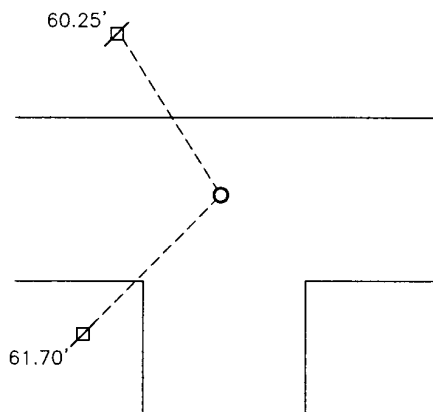
At the corner location shown on the sketch:

On _____ found a _____
DATE

left monument as found, lowered monument, removed monument (explain)

On 4/8/15 placed a survey spike with seal #43844
DATE

SKETCH OF REFERENCE TIES



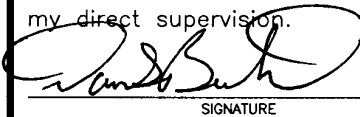
Minnesota State Plane Coordinate
System Yellow Medicine County Datum
NAD83 (1996)

N: 142781.855
E: 600719.306

Nail and seal #11943 in utility pole NW 60.25'
Nail and seal #11943 in utility pole SW 61.70'

Statement of evidence relative to this corner location is on back of page.

I hereby certify that this document and the data contained herein was prepared by me or under my direct supervision.


SIGNATURE

3/1/16
DATE

Registration No. 43844

Land Surveyor, Professional Engineer
 County Surveyor, County Engineer

OFFICE OF THE COUNTY RECORDER
County of _____

I hereby certify that this document was filed in the Co. Recorders office at _____ .M on the _____ day of _____ A.D. 20 _____

County Recorder _____

By _____, Deputy

DOCUMENT NO. _____

Statement of Evidence

In September, 1864, Chas E. Davis and J.W. Webb Jr. did the original subdivision of the township.

In 1932, John Norgaard, County Surveyor, set cement monument and recorded distances to the corner, while doing a survey in Section 23-114-39.

On September 9, 1992, Moseng Land Surveying dug with a backhoe and found nothing. He set a pipe with seal online between the section corners and in center of the road.

On April 8, 2015, Bueltel-Moseng Land Surveying set a survey spike with seal #43844 by using Yellow Medicine County Coordinates. We matched Lyle Moseng's ties and a found pin from the previous survey.

Doc# 263817 Fee: \$0.00 2 Pages

Property & Public Services
Property Records Division
Yellow Medicine County, Minnesota

I hereby certify that the within instrument
was filed on March 28, 2016 at 11:50 AM

Janel Timm, Yellow Medicine County Recorder

By Debra Blood Deputy

CERTIFICATE OF LOCATION OF GOVERNMENT CORNER

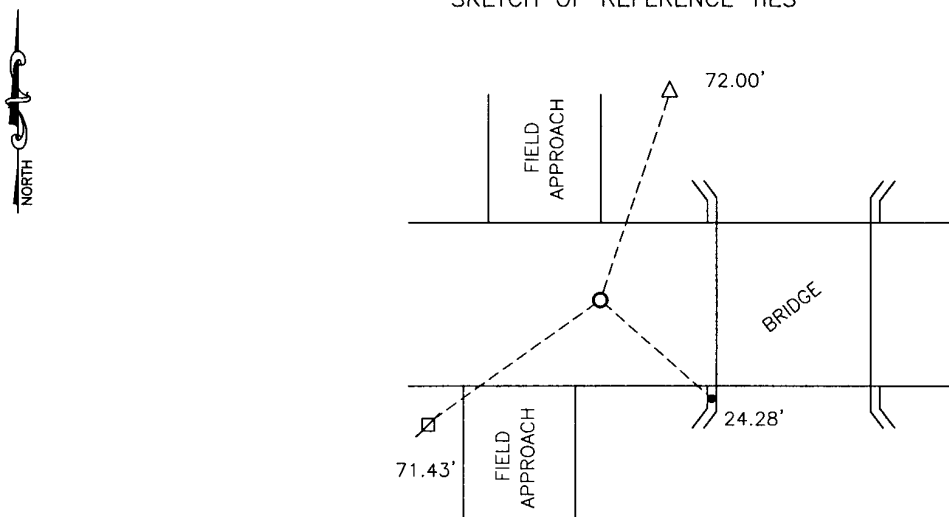
NORTHEAST Corner of Section 26, Township 114, Range 39, 5TH P.M.

STATE OF MINNESOTA, County of YELLOW MEDICINE

At the corner location shown on the sketch:

- On _____ found a _____
DATE
- left monument as found, lowered monument, removed monument (explain)
- On 4/8/15 placed a 5/8" iron with seal #43844
DATE

SKETCH OF REFERENCE TIES



Minnesota State Plane Coordinate

System Yellow Medicine County Datum
NAD83 (1996)

N: 142759.980
E: 603376.581

Nail and seal #11943 in utility pole SW 71.43'
Nail and survey marker in pedestal guard post NE 72.00'
Vertical control monument in southwest wing of bridge SE 24.28'

Statement of evidence relative to this corner location is on back of page.

I hereby certify that this document and the data contained herein was prepared by me or under my direct supervision.


SIGNATURE

3/2/16
DATE

Registration No. 43844

- Land Surveyor, Professional Engineer
- County Surveyor, County Engineer

OFFICE OF THE COUNTY RECORDER

County of _____

I hereby certify that this document was filed in the Co. Recorders office at _____ .M on the _____ day of _____ A.D. 20 _____

County Recorder _____

By _____, Deputy

DOCUMENT NO. _____

Statement of Evidence

In September, 1864, Chas E. Davis and J.W. Webb Jr. did the original subdivision of the township.

In 1932, John Norgaard, County Surveyor recorded distances to the corner, while doing a survey in Section 23-114-39.

In 1957, Yellow Medicine County Highway Department found a granite monument at the corner.

On September 9, 1992, Moseng Land Surveying dug with a backhoe and did not find the recorded granite monument. Found a spike with flagging and held to as the corner.

On April 8, 2015, Bueltel-Moseng Land Surveying set a 5/8" iron with seal #43844 by projecting line from the northwest corner of Section 26-114-39, through the north quarter of Section 26-114-39, and using the length of the total mile, recorded by Lyle Moseng during the 1992 survey.

Doc# 263816 Fee: \$0.00 2 Pages

Property & Public Services
Property Records Division
Yellow Medicine County, Minnesota
I hereby certify that the within instrument
was filed on March 28, 2016 at 11:45 AM

Janel Timm, Yellow Medicine County Recorder

By Debra Blood Deputy

CERTIFICATE OF LOCATION OF GOVERNMENT CORNER

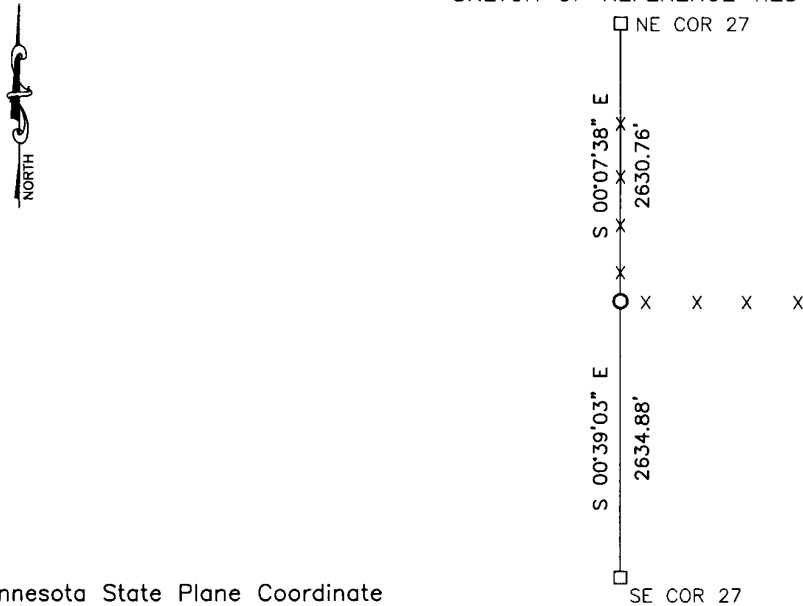
EAST QUARTER Corner of Section 27, Township 114, Range 39, 5TH P.M.

STATE OF MINNESOTA, County of YELLOW MEDICINE

At the corner location shown on the sketch:

- On _____ found a _____
DATE
- left monument as found, lowered monument, removed monument (explain)
- On 12/5/16 placed a 5/8" iron with seal #43844
DATE

SKETCH OF REFERENCE TIES

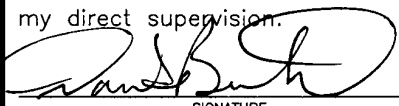


Minnesota State Plane Coordinate
 System Yellow Medicine County Datum
 NAD83 (1996)

N: 140172.802
 E: 598088.996

Statement of evidence relative to this corner location is on back of page.

I hereby certify that this document and the data contained herein was prepared by me or under my direct supervision.

 2/16/17
SIGNATURE DATE

Registration No. 43844

Land Surveyor, Professional Engineer
 County Surveyor, County Engineer

OFFICE OF THE COUNTY RECORDER
 County of _____

I hereby certify that this document was filed in the Co. Recorders office at _____ .M on the _____ day of _____ A.D. 20 _____

County Recorder _____
 By _____, Deputy

DOCUMENT NO. _____

Statement of Evidence

In September 1864, Chas E. Davis and J.W. Webb Jr. did the original subdivision of the township.

On November 20, 1891, Jonah Peterman, County Surveyor, set a stone at the corner.

On December 5, 2016, Bueltel-Moseng Land Surveying set a 5/8" iron with seal #43844 in line with fence to the north and at the recorded distance from the northeast corner of Section 27-114-39, recorded on the 1891 survey. It is in line with the fence to the east.

Doc# 266112 Fee: \$0.00 2 Pages

Property & Public Services

Property Records Division

Yellow Medicine County, Minnesota

I hereby certify that the within instrument
was filed on April 17, 2017 at 10:35 AM

Janel Timm, Yellow Medicine County Recorder

By Kelly Kuger Deputy

CERTIFICATE OF LOCATION OF GOVERNMENT CORNER

NORTH QUARTER Corner of Section 27, Township 114, Range 39, 5TH P.M.

STATE OF MINNESOTA, County of YELLOW MEDICINE

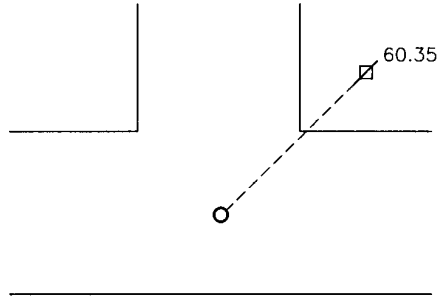
At the corner location shown on the sketch:

On _____ found a _____
DATE

left monument as found, lowered monument, removed monument (explain)

On 12/5/16 placed a survey spike with seal #43844
DATE

SKETCH OF REFERENCE TIES




Minnesota State Plane Coordinate
System Yellow Medicine County Datum
NAD83 (1996)

N: 142822.857
E: 595449.616

Nail and survey marker in utility pole NE 60.35'

Statement of evidence relative to this corner location is on back of page.

I hereby certify that this document and the data contained herein was prepared by me or under my direct supervision.


SIGNATURE 2/16/17
DATE

Registration No. 43844

Land Surveyor, Professional Engineer
 County Surveyor, County Engineer

OFFICE OF THE COUNTY RECORDER

County of _____

I hereby certify that this document was filed in the Co. Recorders office at _____ .M on the _____ day of _____ A.D. 20 _____

County Recorder _____

By _____, Deputy

DOCUMENT NO. _____

Statement of Evidence

In September, 1864, Chas E. Davis and J.W. Webb Jr. did the original subdivision of the township.

On November 19, 1891, Jonah Peterson, County Surveyor, set a stone at the corner.

In May of 1914, John Norgaard, County Surveyor, showed a distance from the Northwest corner.

On June 20, 2001, Moseng Land Surveying set a 5/8" iron with seal #11943. The corner was established proportionately using the recorded distances from 1891 and 1914 survey.

On March 25, 2004, Bueltel-Moseng Land Surveying found 5/8" iron with seal #11943 at the corner.

In 2010, the Yellow Medicine County Highway Department found a 5/8" iron with seal #11943 at the corner.

On December 5, 2016, Bueltel-Moseng Land Surveying set a survey spike with seal #43844 by using Yellow Medicine County Highway Department coordinates from 2010.

Doc# 266111 Fee: \$0.00 2 Pages

Property & Public Services

Property Records Division

Yellow Medicine County, Minnesota

I hereby certify that the within instrument

was filed on April 17, 2017 at 10:30 AM

Janel Timm, Yellow Medicine County Recorder

By Kelly Kauger Deputy

CERTIFICATE OF LOCATION OF GOVERNMENT CORNER

NORTHEAST Corner of Section 27, Township 114, Range 39, 5TH P.M.

STATE OF MINNESOTA, County of YELLOW MEDICINE

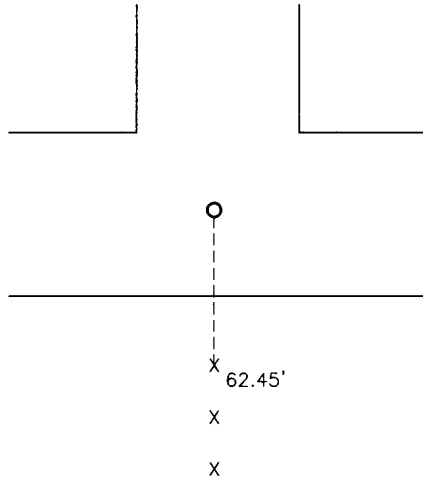
At the corner location shown on the sketch:

On _____ found a _____
DATE

left monument as found, lowered monument, removed monument (explain)

On 4/8/15 placed a survey spike with seal #43844
DATE

SKETCH OF REFERENCE TIES



Minnesota State Plane Coordinate
System Yellow Medicine County Datum
NAD83 (1996)

N: 142803.556
E: 598083.150

Nail and survey marker in wood post South 62.45'

Statement of evidence relative to this corner location is on back of page.

I hereby certify that this document and the data contained herein was prepared by me or under my direct supervision.


SIGNATURE

3/2/16
DATE

Registration No. 43844

- Land Surveyor, Professional Engineer
 County Surveyor, County Engineer

OFFICE OF THE COUNTY RECORDER

County of _____

I hereby certify that this document was filed in the Co. Recorders office at _____ .M on the _____ day of _____ A.D. 20 _____

County Recorder _____

By _____, Deputy

DOCUMENT NO. _____

Statement of Evidence

In September, 1864, Chas E. Davis and J.W. Webb Jr. did the original subdivision of the township.

In 1932, John Norgaard, County Surveyor, set cement monument and recorded distances to the corner, while doing a survey in Section 23-114-39.

On September 9, 1992, Moseng Land Surveying found an iron pipe at the corner.

On April 8, 2015, Bueltel-Moseng Land Surveying set a survey spike with seal #43844 by using Yellow Medicine County Coordinates. Coordinates matched with found pin and distances from 1992 survey.

Doc# 263818 Fee: \$0.00 2 Pages

Property & Public Services
Property Records Division

Yellow Medicine County, Minnesota

I hereby certify that the within instrument
was filed on March 28, 2016 at 11:55 AM

Janel Timm, Yellow Medicine County Recorder

By Debra Blood Deputy

CERTIFICATE OF LOCATION OF GOVERNMENT CORNER

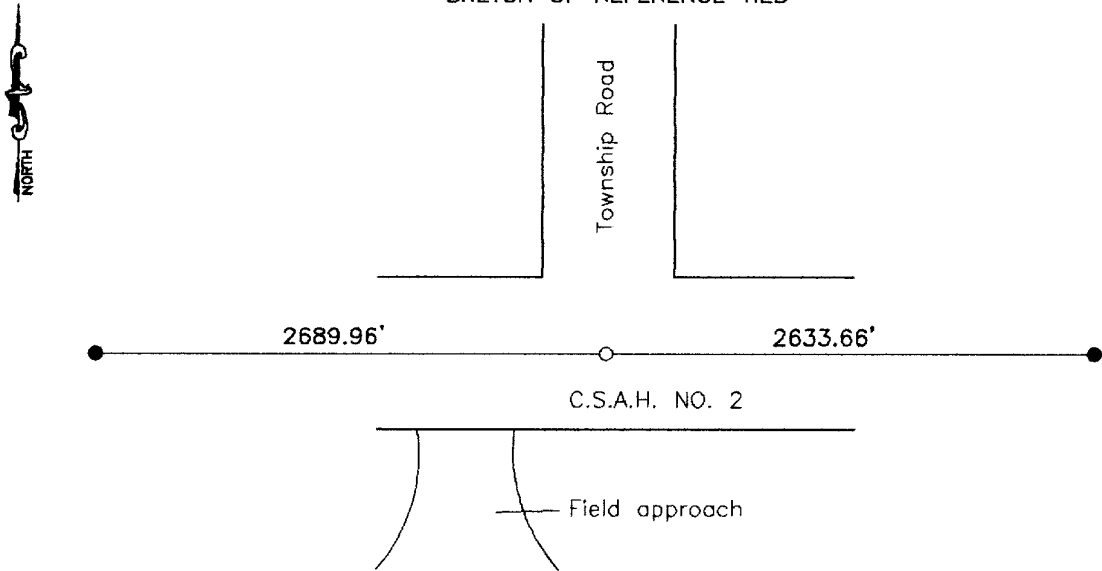
North Quarter Corner of Section 27, Township 114, Range 39, 5th P.M.

STATE OF MINNESOTA, County of Yellow Medicine

At the corner location shown on the sketch:

- On _____ found a _____
DATE
- left monument as found, lowered monument, removed monument (explain)
- On June 20, 2001 placed a 5/8 inch iron stake with seal # 11943
DATE

SKETCH OF REFERENCE TIES



Statement of evidence relative to this corner location is on back of page.

I hereby certify that this document and the data contained herein was prepared by me or under my direct supervision.

Lyle P. Mosene 7-17-01
SIGNATURE DATE

Registration No. 11943
 Land Surveyor, Professional Engineer
 County Surveyor, County Engineer

OFFICE OF THE COUNTY RECORDER

County of _____

I hereby certify that this document was filed in the Co. Recorders office at 10:35 A.M. on the 13 day of August A.D. 2001

County Recorder Kay Nerdahl

By Stil Rohlik, Deputy

DOCUMENT NO. 226593

Statement of Evidence

In November of 1891, Jonah Peleman, County Surveyor, set a stone 39.86 chains West of the Northeast Corner.

In May of 1914, John Norgaard, County Surveyor, noted the corner as being 2687 feet East of the Northwest corner.

On June 20, 2001 Moseng Land Surveying set a 5/8 inch rerod with seal # 11943 marking the North Quarter Corner of Section 27-114-39. The corner was established proportionately using the recorded distances from 1891 (North Line NE1/4) and 1914 (North Line NW1/4)

CERTIFICATE OF LOCATION OF GOVERNMENT CORNER

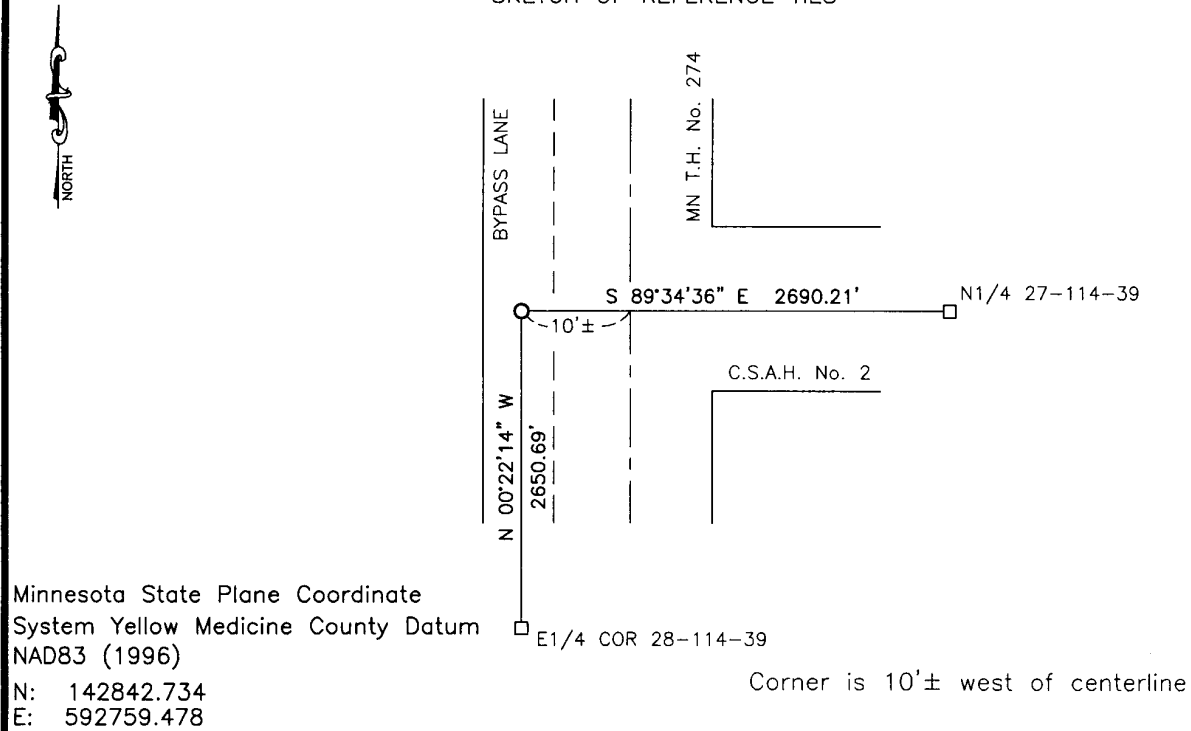
NORTHEAST Corner of Section 28, Township 114, Range 39, 5TH P.M.

STATE OF MINNESOTA, County of YELLOW MEDICINE

At the corner location shown on the sketch:

- On _____ found a _____
DATE
- left monument as found, lowered monument, removed monument (explain)
- On 9/16/16 placed a survey spike with seal #43844
DATE

SKETCH OF REFERENCE TIES



Minnesota State Plane Coordinate
System Yellow Medicine County Datum
NAD83 (1996)

N: 142842.734
E: 592759.478

Corner is 10'± west of centerline

Statement of evidence relative to this corner location is on back of page.

I hereby certify that this document and the data contained herein was prepared by me or under my direct supervision.

[Signature] 2/2/17
SIGNATURE DATE

Registration No. 43844

- Land Surveyor, Professional Engineer
- County Surveyor, County Engineer

Doc# 265750 Fee: \$0.00 2 Pages

Property & Public Services
Property Records Division
Yellow Medicine County, Minnesota
I hereby certify that the within instrument
was filed on February 16, 2017 at 9:55 AM

Janel Timm, Yellow Medicine County Recorder

By [Signature] Deputy

Statement of Evidence

In September, 1864, Chas E. Davis and J.W. Webb Jr. did the original subdivision of the township.

On November 19, 1891, Jonah Peterman, County Surveyor, found a stone at the corner.

(No date), MnDot set a cast iron monument 10'± west centerline of road.

On July 15, 1992, Moseng Land Surveying found a cast iron monument at the corner. He set a 5/8" iron with seal #11943 over found monument.

In November, 2004, Bueltel-Moseng Land Surveying found a 5/8" iron with seal #11943 at the corner.

In April, 2010, the Yellow Medicine County Highway Department found a 5/8" iron with seal #11943.

On September 16, 2016, Bueltel-Moseng Land Surveying set a survey spike with seal #43844 by using county coordinates provided by Yellow Medicine County Highway Department.

CERTIFICATE OF LOCATION OF GOVERNMENT CORNER

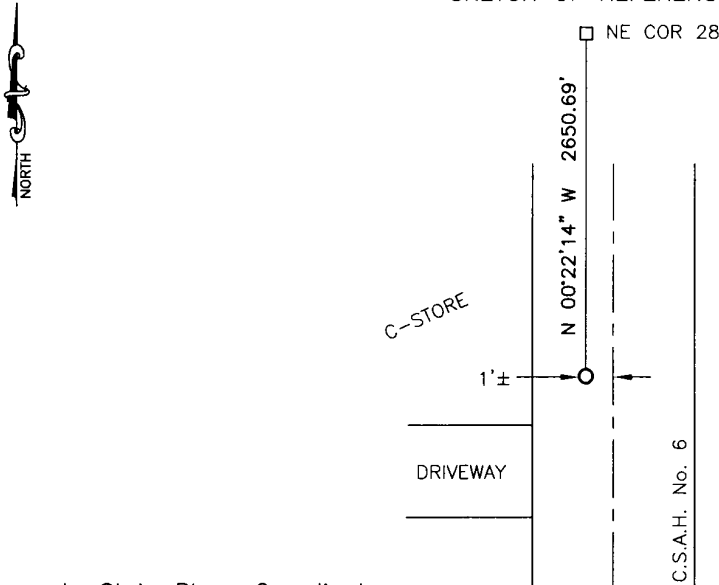
EAST QUARTER Corner of Section 28, Township 114, Range 39, 5TH P.M.

STATE OF MINNESOTA, County of YELLOW MEDICINE

At the corner location shown on the sketch:

- On _____ found a _____
DATE
- left monument as found, lowered monument, removed monument (explain)
- On 9/16/16 placed a survey spike with seal #43844
DATE

SKETCH OF REFERENCE TIES



Minnesota State Plane Coordinate System Yellow Medicine County Datum NAD83 (1996)

N: 140192.098
E: 592776.627

Statement of evidence relative to this corner location is on back of page.

I hereby certify that this document and the data contained herein was prepared by me or under my direct supervision.

[Signature] 2/2/17
 SIGNATURE DATE

Registration No. 43844

- Land Surveyor, Professional Engineer
- County Surveyor, County Engineer

Doc# 265749 Fee: \$0.00 2 Pages

Property & Public Services
Property Records Division
Yellow Medicine County, Minnesota
I hereby certify that the within instrument was filed on February 16, 2017 at 9:50 AM

Janel Timm, Yellow Medicine County Recorder

By *[Signature]* Deputy

Statement of Evidence

In September, 1864, Chas E. Davis and J.W. Webb Jr. did the original subdivision of the township.

On November 19, 1891, Jonah Peterson, County Surveyor, set a post midway and on line between the section corners.

On July 15, 1992, Moseng Land Surveying found a 3/4" iron pipe at the corner and set 5/8" iron over the pipe.

In November, 2004, Bueltel-Moseng Land Surveying found a 5/8" iron with seal #11943 at the corner.

In April, 2010, the Yellow Medicine County Highway Department found a 5/8" iron with seal #11943.

On September 16, 2016, Bueltel-Moseng Land Surveying set a survey spike with seal #43844 by using county coordinates provided by Yellow Medicine County Highway Department.

CERTIFICATE OF LOCATION OF GOVERNMENT CORNER

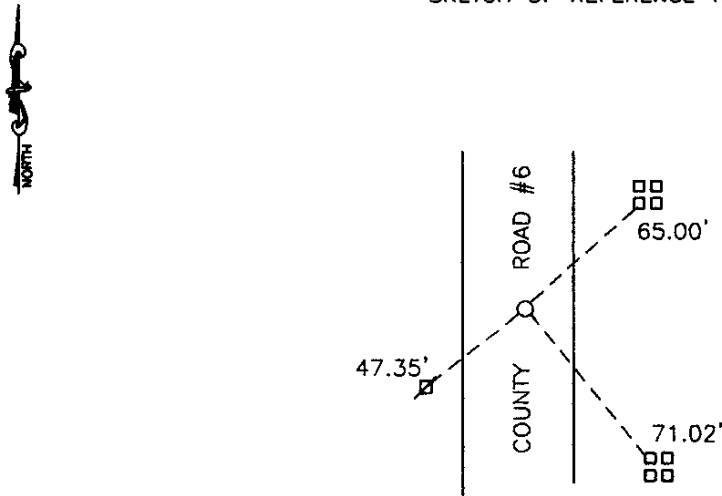
East Quarter _____ Corner of Section 28, Township 114, Range 39, 5th P.M.

STATE OF MINNESOTA, County of Yellow Medicine

At the corner location shown on the sketch:

- On Aug 19, 1998 found a 1" iron pipe with 8" X 1/2" iron hook in pipe
DATE
- left monument as found, lowered monument, removed monument (explain)
- On Aug 19, 1998 placed a 1" iron pipe w/seal at road surface
DATE

SKETCH OF REFERENCE TIES



Nail and seal in power pole 47.35' SW
 SW leg of light pole 65.00' NE
 NW leg of light pole 71.02' SE

Statement of evidence relative to this corner location is on back of page.

I hereby certify that this document and the data contained herein was prepared by me or under my direct supervision.

Lyle E. Moring 01/07/1999
SIGNATURE DATE

Registration No. 11943

- Land Surveyor, Professional Engineer
- County Surveyor, County Engineer

OFFICE OF THE COUNTY RECORDER
 County of _____

I hereby certify that this document was filed in the Co. Recorders office at 10:10 A.M on the 11 day of Feb. A.D. 1999

County Recorder Kay Nerdahl

By Lyle E. Moring, Deputy

DOCUMENT NO. 219293

Statement of Evidence

On August 19, 1998 Moseng Land Surveying dug by hand and found a 1" iron pipe with a 8" X 1/2" iron hook in pipe, 30" below surface. We placed a 1" iron pipe with seal number 11943 above monument at road surface.

CERTIFICATE OF LOCATION OF GOVERNMENT CORNER

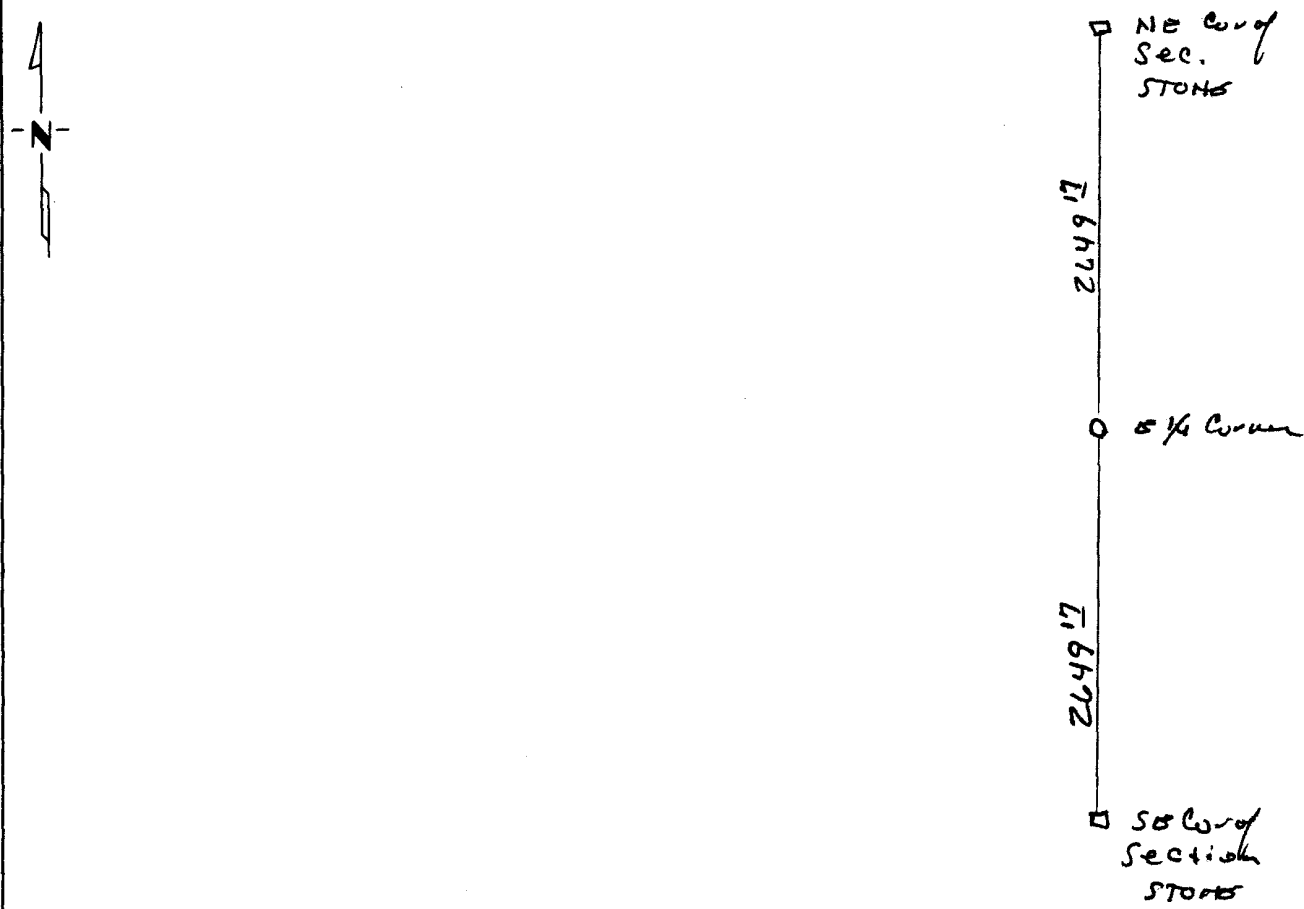
EAST QUARTER Corner of Section 29, Township 114 N., Range 39 W, 5th P.M.

STATE OF MINNESOTA, County of YELLOW MEDICINE

At the corner location shown on the sketch:

- On _____ found a _____
DATE
- left monument as found, lowered monument, removed monument (explain)
- On June 4, 1990 placed a One inch iron pipe with seal
DATE

SKETCH OF REFERENCE TIES



Statement of evidence relative to this corner location is on back of page.

RECORDED	<input checked="" type="checkbox"/>
GRANTOR	<input checked="" type="checkbox"/>
GRANTEE	<input type="checkbox"/>
INDEXED	<input checked="" type="checkbox"/>

I hereby certify that this document and the data contained herein was prepared by me or under my direct supervision.

Leif E. Mooney 6-08-90
SIGNATURE DATE

Registration No. 11943

Land Surveyor, Professional Engineer

County Surveyor, County Engineer

OFFICE OF THE COUNTY RECORDER
County of Yellow Medicine

I hereby certify that this document was filed in the Co. Recorders office at 3:15 P.M. on the 13 day of February A.D., 1991

County Recorder Norman J. Opelake

By _____, Deputy

DOCUMENT NO. **198968**

Statement of Evidence:

Original survey done in the 1860's they set the corner midway and on line between section corner stones.

I could not find any record of any other survey. The corner is in a minimum maintenance road the same elevation as the fields.

I had the owners of the east and west side of the roads there they told me the fence for the $S\frac{1}{2}$ of the $SE\frac{1}{4}$ had been there along time and the corner post for the $S\frac{1}{4}$ of the $NE\frac{1}{4}$ had been there as long, I split the distance between these posts ~~it~~ fell $2\frac{1}{2}$ feet north of a direct split between the section corner stones.

I set the corner by a direct split.

CERTIFICATE OF LOCATION OF GOVERNMENT CORNER

NORTH QUARTER _____ Corner of Section 29, Township 114 N., Range 39 W, 5th P.M.

STATE OF MINNESOTA, County of Yellow Medicine

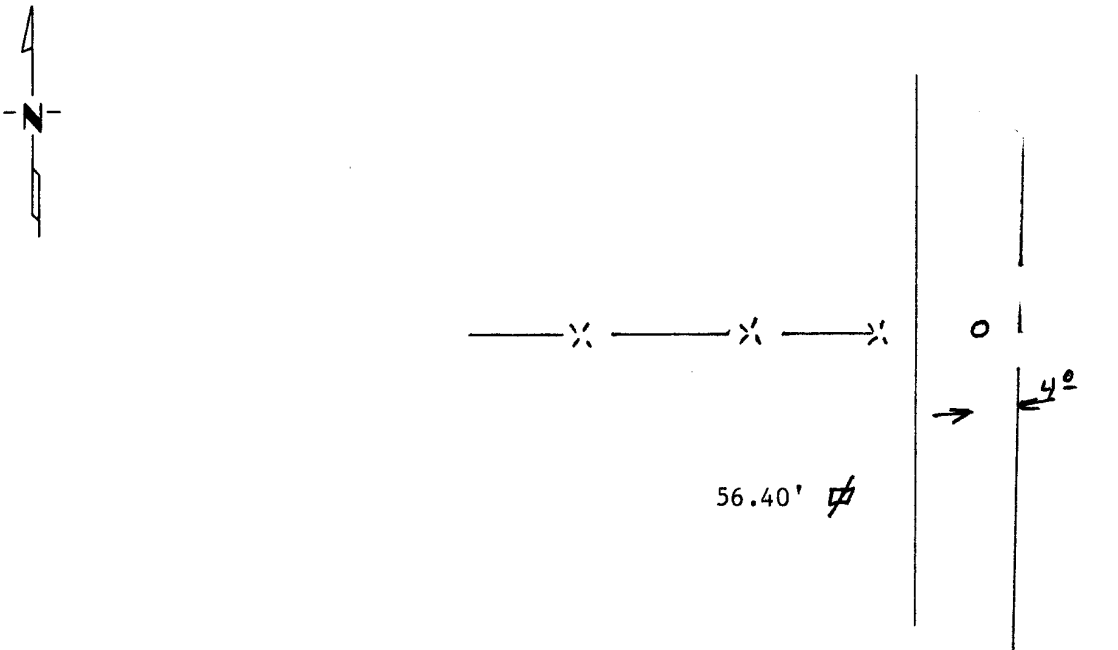
At the corner location shown on the sketch:

On _____ found a _____
DATE

left monument as found, lowered monument, removed monument (explain)

On June 4, 1990 placed a One inch iron pipe with seal
DATE

SKETCH OF REFERENCE TIES



Nail and seal in Power Pole Southwest 56.40 feet.

Statement of evidence relative to this corner location is on back of page.

RECORDED	<input checked="" type="checkbox"/>
GRANTOR	<input checked="" type="checkbox"/>
GRANTEE	<input checked="" type="checkbox"/>
INDEXED	<input checked="" type="checkbox"/>

I hereby certify that this document and the data contained herein was prepared by me or under my direct supervision.

Agla E. Mooney 6-08-90
SIGNATURE DATE

Registration No. 11945

Land Surveyor, Professional Engineer

County Surveyor, County Engineer

OFFICE OF THE COUNTY RECORDER
County of Yellow Medicine

I hereby certify that this document was filed in the Co. Recorders office at 3:10 P.M. on the 13 day of February A.D., 19 91

County Recorder Norma J. Spelche
By _____, Deputy

DOCUMENT NO. 198967

Statement of Evidence:

Original survey done in the 1860's pit and mound

I could find no record of any other surveyor.

I set the corner in line with fence to the west and section corner stone at the Northeast corner and midway between section corners. The corner is not in the middle of the road but this is a minimum maintenance road and there is a ditch along the east side.

CERTIFICATE OF LOCATION OF GOVERNMENT CORNER

Northeast Corner of Section 29, Township 114N, Range 39W, 5th P.M.

STATE OF MINNESOTA, County of Yellow Medicine

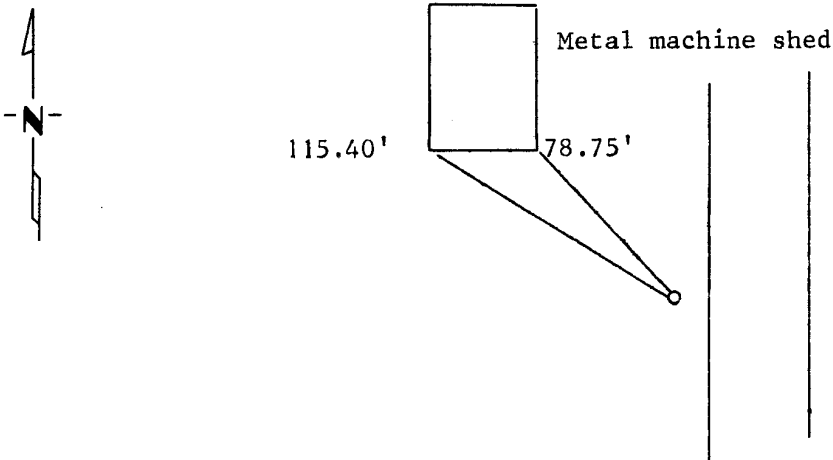
At the corner location shown on the sketch:

On May 31, 1990 found a 6"x6" stone 16' West of centerline of Township
DATE
road.

left monument as found, lowered monument, removed monument (explain)

On May 31, 1990 placed a 5/8" rerod with seal next to stone, stone is above
DATE
ground surface and is in small bean field.

SKETCH OF REFERENCE TIES



Bottom corner machine shed NW 78.75'

Bottom corner machine shed NW 115.40'

Statement of evidence relative to this corner location is on back of page.

RECORDED
GRANTOR ✓
GRANTEE ✓
INDEXED ✓

I hereby certify that this document and the data contained herein was prepared by me or under my direct supervision.

Lyle C. Mosing 06-08-1990
SIGNATURE DATE

Registration No. 11943

Land Surveyor, Professional Engineer

County Surveyor, County Engineer

OFFICE OF THE COUNTY RECORDER

County of Yellow Medicine

I hereby certify that this document was filed in the Co. Recorders office at 3:05 P.M. on the 13 day of February A.D., 19 91

County Recorder Norma J. Opdake

By Norma J. Opdake, Deputy

DOCUMENT NO. 198966

Statement of Evidence:

The original survey was done in the 1860,s.

John Nordgaard remonumented the county around 1905-1930 with 6"x6"
Granite stones.

We found a 6"x6" granite stone in a small bean field 16' West of
middle of Township road. We placed a 5/8" rerod with seal beside it.
Stone is above ground surface.

CERTIFICATE OF LOCATION OF GOVERNMENT CORNER

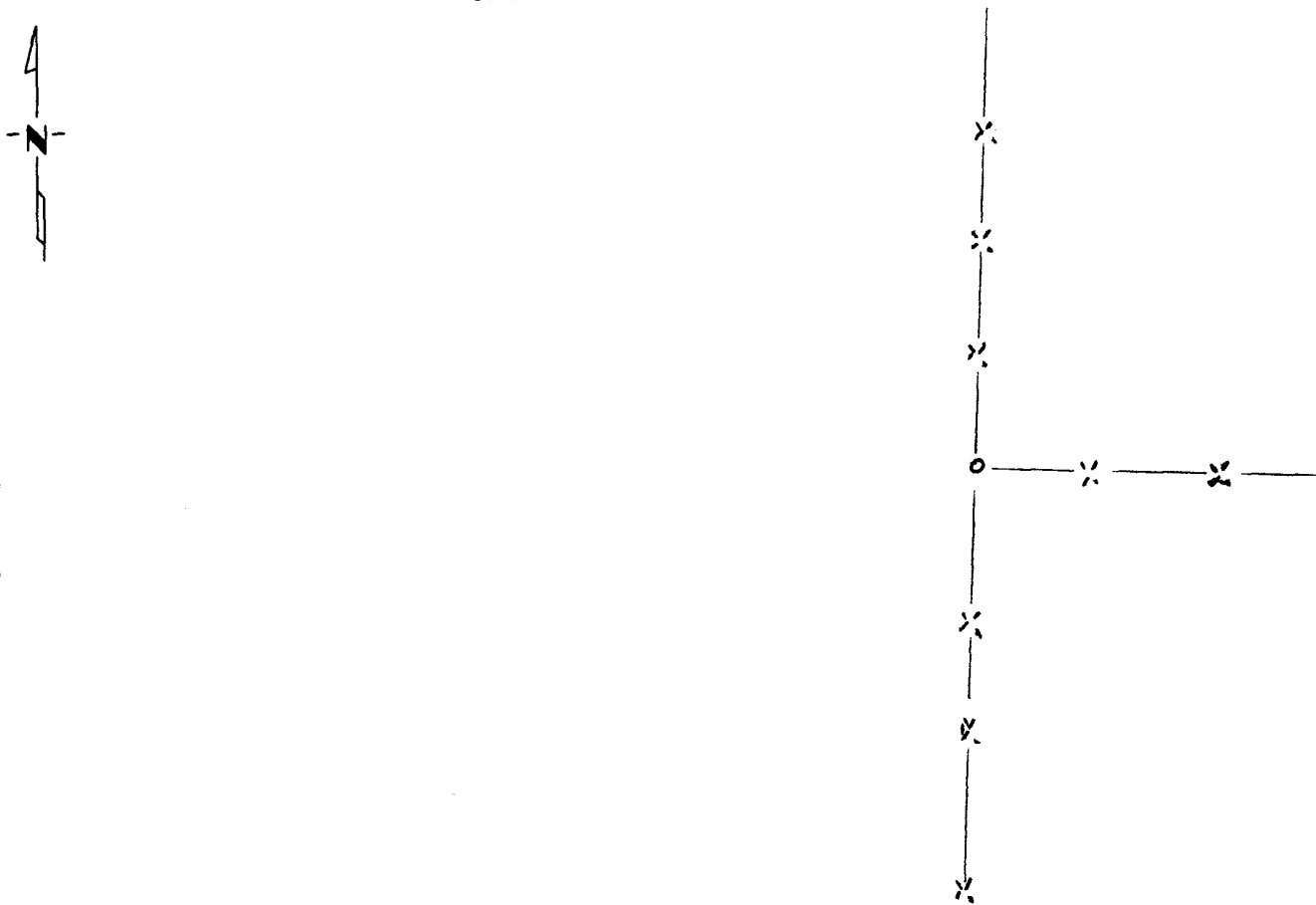
EAST QUARTER Corner of Section 30, Township 114 N., Range 39 W., 5th P.M.

STATE OF MINNESOTA, County of YELLOW MEDICINE

At the corner location shown on the sketch:

- On _____ found a _____
DATE
- left monument as found, lowered monument, removed monument (explain)
- On May 31, 1990 placed a 5/8 inch rerod with seal
DATE

SKETCH OF REFERENCE TIES



Statement of evidence relative to this corner location is on back of page.

RECORDED
GRANTOR ✓
GRANTEE ✓
INDEXED

I hereby certify that this document and the data contained herein was prepared by me or under my direct supervision.

Agile E. Mosey 6-01-90
SIGNATURE DATE

Registration No. 11945

Land Surveyor, Professional Engineer

County Surveyor, County Engineer

OFFICE OF THE COUNTY RECORDER
County of Yellow Medicine

I hereby certify that this document was filed in the Co. Recorders office at 3:20 P.M. on the 13 day of February A.D., 1991

County Recorder Norman G. Gass

By _____, Deputy

DOCUMENT NO. 198969

Statement of Evidence:

Original survey was done in the 1860's.

I could find no record of any other surveyor.

We found the fence intersection to be within 4 feet of a direct spilt of midway between the Northwest and Southwest Quarter.

We found several stones at the intersection of fences but nothing that looked like a corner stone.

I set rerod in the fence intersection

CERTIFICATE OF LOCATION OF GOVERNMENT CORNER

S¹ Corner of Section 30, Township 114, Range 39, 5th P.M.

STATE OF MINNESOTA, County of Yellow Medicine

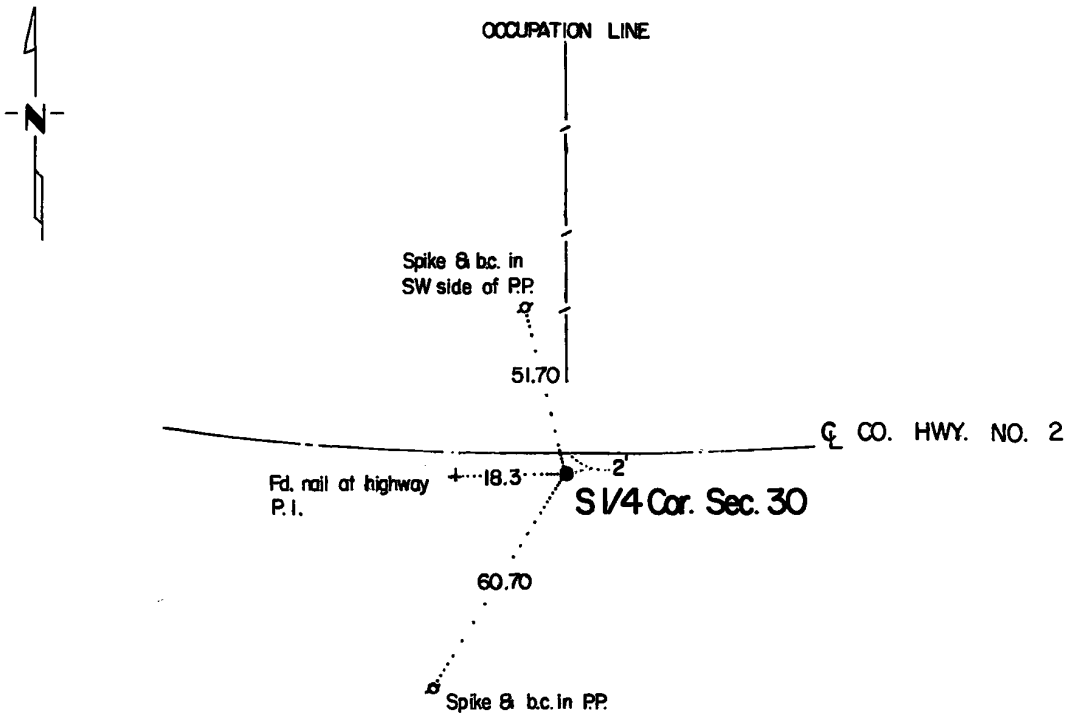
At the corner location shown on the sketch:

On _____ found a _____
DATE

left monument as found, lowered monument, removed monument (explain)

On Oct 5, 1983 placed a 3/4" Capped iron pipe
DATE

SKETCH OF REFERENCE TIES



Statement of evidence relative to this corner location is on back of page.

RECORDED
GRANTOR
GRANTEE
INDEXED

I hereby certify that this document and the data contained herein was prepared by me or under my direct supervision.

Duane A. Benson SIGNATURE Feb. 2, 1984 DATE

Registration No. 14895

- Land Surveyor, Professional Engineer
- County Surveyor, County Engineer

OFFICE OF THE COUNTY RECORDER
County of Yellow Medicine

I hereby certify that this document was filed in the Co. Recorders office at 9:55 A.M. on the 23 day of March A.D., 19 84

County Recorder Normani B. Opdahl

By Kay Verdahl, Deputy

DOCUMENT NO. 183655

Statement of Evidence: S $\frac{1}{4}$ Cor. Sec. 30 T114N-R39W

- June 1910 John Norgaard, County Surveyor, records in the County Surveyors Record Book page 217 & 219 "Found old stake in Government Mound 89 feet south of line between Section Corners." Also Apparent later note on this survey "Survey for Town Road-used the S $\frac{1}{4}$ post as found in 1910."
- Oct. 5, 1983 Duane A. Bonnema, RLS 14895, placed a capped 3/4" iron monument 88.7 feet south of a line between section corners, also placed this corner at a ^(proportionate) distance between the section corners based on gov't measure. Considering that John Norgaard didn't note placing a stone, also that the County Engineer's Office has never recovered this corner and it is located under at least 5 feet of fill on a paved highway I decided it wouldn't be proper to search for this corner.

CERTIFICATE OF LOCATION OF GOVERNMENT CORNER

SE Corner of Section 30, Township 114, Range 39, 5th P.M.

STATE OF MINNESOTA, County of Yellow Medicine

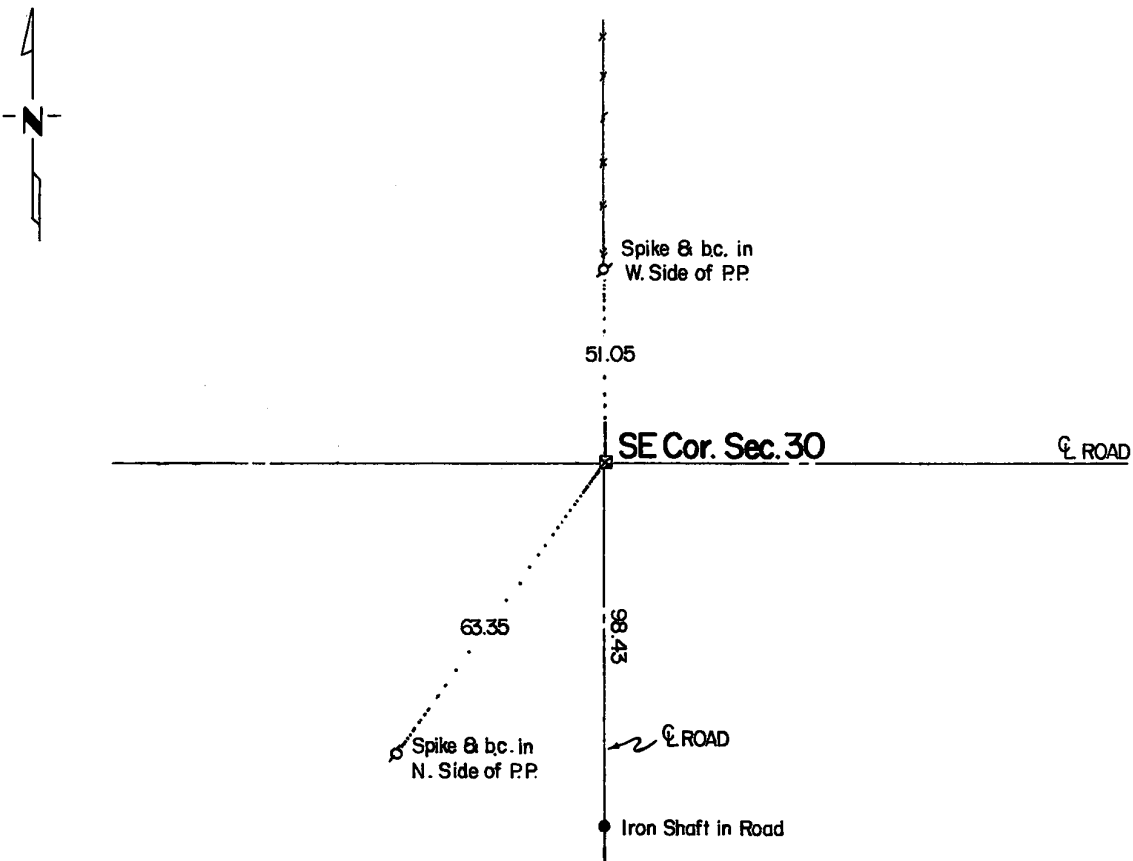
At the corner location shown on the sketch:

On Oct. 5, 1983 found a 6"x6" Granite stone 16" below pavement surface
DATE

left monument as found, lowered monument, removed monument (explain)

On Oct. 5, 1983 placed a 3/4" Capped iron pipe over granite monument
DATE

SKETCH OF REFERENCE TIES



Statement of evidence relative to this corner location is on back of page.

RECORDED
GRANTOR
GRANTEE
INDEXED

I hereby certify that this document and the data contained herein was prepared by me or under my direct supervision.

Diane A. Benning SIGNATURE Jan. 30, 1984 DATE

Registration No. 14895

- Land Surveyor, Professional Engineer
- County Surveyor, County Engineer

OFFICE OF THE COUNTY RECORDER
County of Yellow Medicine

I hereby certify that this document was filed in the Co. Recorders office at 9:45 A.M. on the 23 day of March A.D., 19 84

County Recorder Norman J. Opdahl

By Kay Nordahl, Deputy

DOCUMENT NO. 183653

Statement of Evidence: SE Cor. Sec. 30 T114N-R39W

Nov. 19, 1889	Jonah Peterman, County Surveyor, records in the County Surveyor's Record Book page 32 that he measured to this corner but doesn't state what it is.
1900	John Norgaard in his re-monumentation survey of the county records "Found the remains of old Stake in Government Mound. Set to of monument level with ground."
June 15, 1910	John Norgaard, County Surveyor, records in the County Surveyor's Record Book page 217 that he measured to this corner but doesn't state what it is.
1920	John Norgaard, County Surveyor, records in the County Surveyor's Record Book page 439 that he used this corner.
1963	Yellow Medicine County Highway Department recorded witness points to a "Granite Monument Inp."
Oct. 5, 1983	Duane A. Bonnema, RLS 14895, found a 6"x 6" Granite Monument using the witness points on file at the County Highway Engineer's Office. This is believed to be the monument placed in the 1900 re-monumentation by Norgaard. Placed 3/4" capped iron monument over stone.

CERTIFICATE OF LOCATION OF GOVERNMENT CORNER

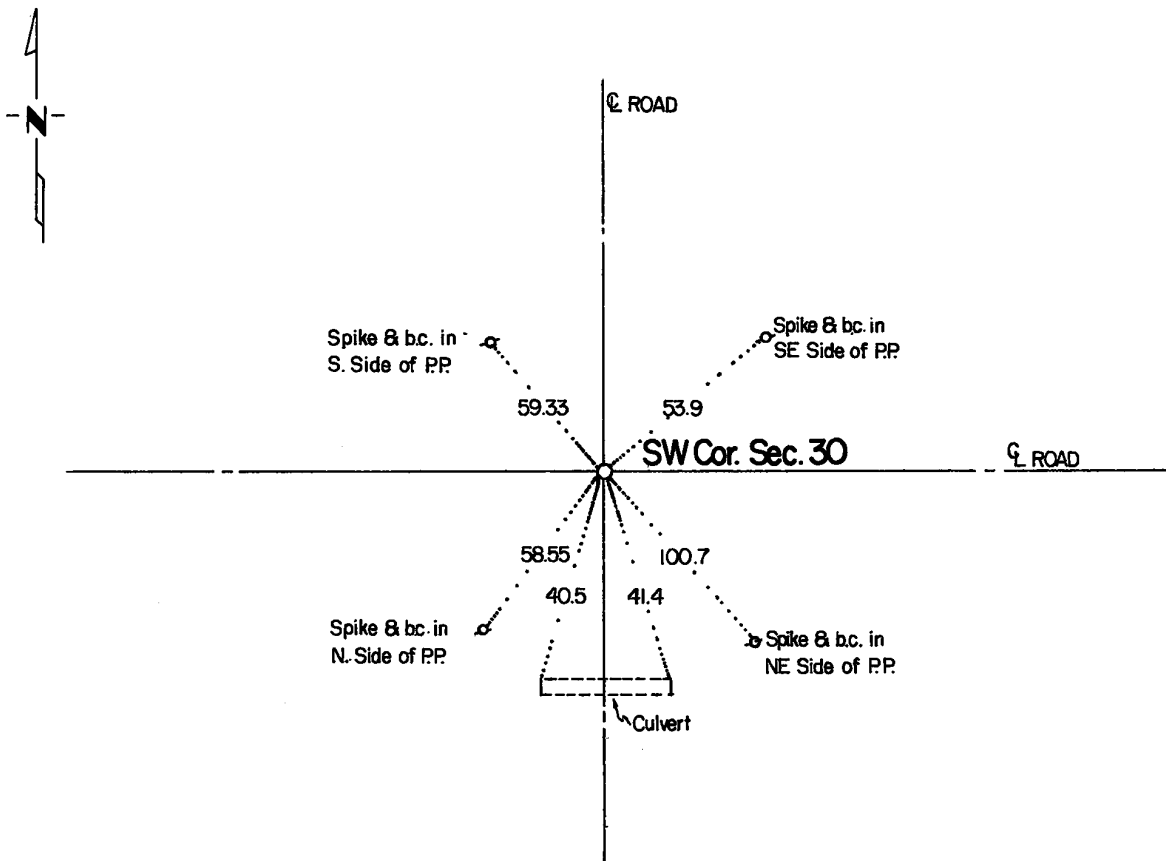
SW Corner of Section 30, Township 114, Range 39, 5th P.M.

STATE OF MINNESOTA, County of Yellow Medicine

At the corner location shown on the sketch:

- On _____ found a _____
DATE
- left monument as found, lowered monument, removed monument (explain)
- On Oct. 5, 1983 placed a Capped 3/4" Iron pipe by using Yellow Medicine
DATE
County Engineer's Office witness points.

SKETCH OF REFERENCE TIES



Statement of evidence relative to this corner location is on back of page.

RECORDED
GRANTOR
PRINTED
INDEXED

I hereby certify that this document and the data contained herein was prepared by me or under my direct supervision.

Duane A. Bonnema March 2, 1984
SIGNATURE DATE

Registration No. 14895

Land Surveyor, Professional Engineer

County Surveyor, County Engineer

OFFICE OF THE COUNTY RECORDER
 County of Yellow Medicine

I hereby certify that this document was filed in the Co. Recorders office at 9:40 A.M. on the 23 day of March A.D., 19 84

County Recorder Norman J. Opdahl

By Kay Perdahl, Deputy

DOCUMENT NO. 183652

Statement of Evidence: SW Cor. Sec. 30 T114N-R39W

- Oct. 16 1897 John Norgaard, County Surveyor, set an 8"x8" Marked stone at the Southwest Corner of Section 31.
- 1900 John Norgaard, County Surveyor, notes in his re-monumentation survey of the county "Found Stone located by me 5 years ago on line and at equal distance between the Northwest Corner Section 30 and the Southwest Corner Section 31. Set top of monument level with the ground."
- June 1910 John Norgaard, County Surveyor, notes in the County Surveyor's Record Book page 217 & 219 that he used this corner but doesn't describe the corner monument.
- 1920 John Norgaard, County Surveyor, notes in the County Surveyor's Record Book page 426 that he used this corner but doesn't describe the corner monument.
- 1963 The Yellow Medicine County Highway Engineer's Office noted witness points to a Granite monument 3 feet deep at this corner.
- Oct. 5, 1983 Duane A. Bonnema, RLS 14895, placed a 3/4" capped iron monument at the corner location using the witness points obtained from the County Highway Engineer's Office.

CERTIFICATE OF LOCATION OF GOVERNMENT CORNER

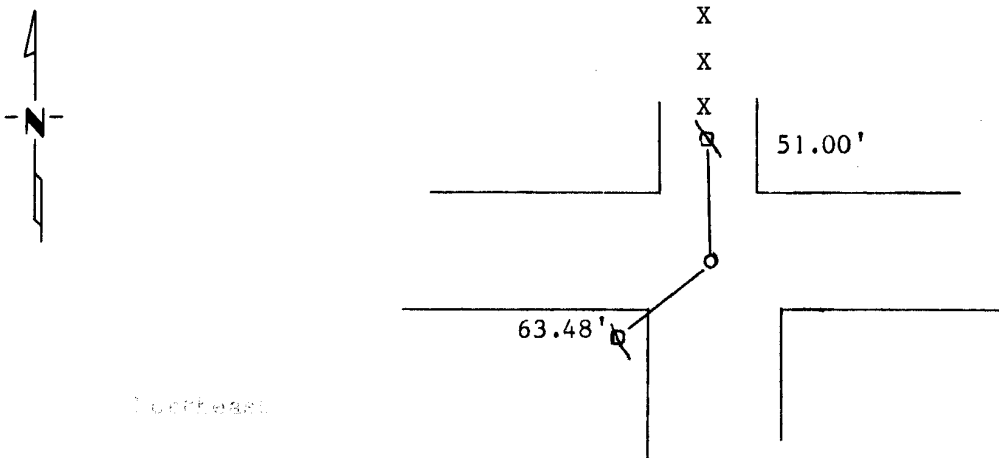
Northeast Corner of Section 31, Township 114N, Range 39W, 5th P.M.

STATE OF MINNESOTA, County of Yellow Medicine

At the corner location shown on the sketch:

- On May 31, 1990 found a Square cut stone with 1/2" pipe above it R.L.S.
DATE seal No. 7469 could not read for sure
- left monument as found, lowered monument, removed monument (explain)
- On May 31, 1990 placed a 5/8" rerod with seal on top of stone at road
DATE surface.

SKETCH OF REFERENCE TIES



Nail and seal in Power Pole N 51.00'

Nail and seal in Power Pole SW 63.48'

Statement of evidence relative to this corner location is on back of page.

RECORDED
GRANTOR ✓
GRANTEE ✓
INDEXED

I hereby certify that this document and the data contained herein was prepared by me or under my direct supervision.

Lytle E. Mowry 6-08-1990
SIGNATURE DATE

Registration No. 11943

- Land Surveyor, Professional Engineer
- County Surveyor, County Engineer

OFFICE OF THE COUNTY RECORDER
County of Yellow Medicine

I hereby certify that this document was filed in the Co. Recorders office at 3:25 P.M. on the 13 day of February A.D., 1991

County Recorder Merna A. Godeke
By _____, Deputy

DOCUMENT NO. 198970

Statement of Evidence:

Original survey was done in the 1860,s.

John Nordgaard Remonumented the County in aroud 1905-1930 with 6"x6"
Granite stones.

County highway department had ties to corner from 1963.

We dug with a jackhammer and found a 1/2" pipe with R.L.S. seal bver
stone, we could not read number on seal.
We placed a 5/8" rerod with seal at road surface.

CERTIFICATE OF LOCATION OF GOVERNMENT CORNER

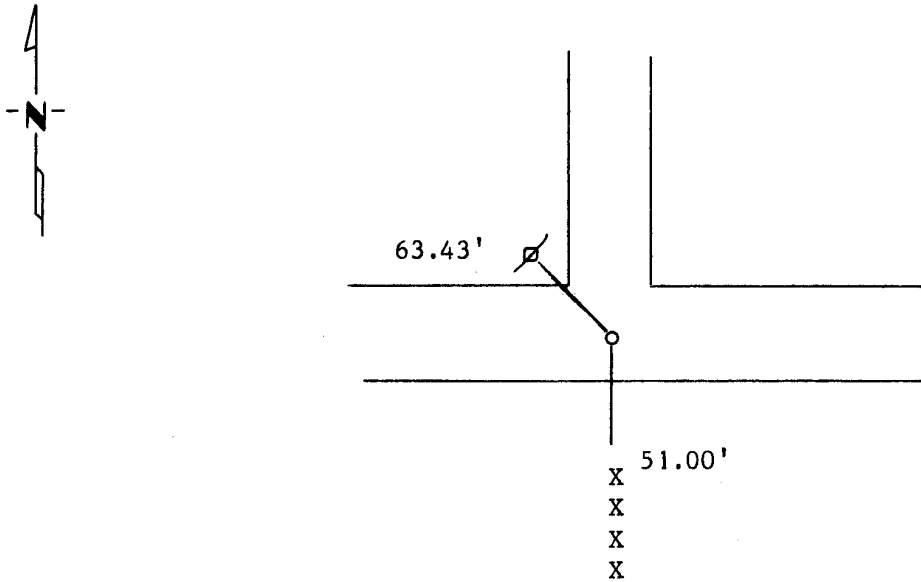
North Quarter _____ Corner of Section 32 _____, Township 114N _____, Range 39W _____, 5th P.M.

STATE OF MINNESOTA, County of Yellow Medicine

At the corner location shown on the sketch:

- On _____ found a _____
DATE
- left monument as found, lowered monument, removed monument (explain)
- On May 31, 1990 placed a 5/8" rerod with seal midway and on line, I did not dig
DATE as nothing was recorded.

SKETCH OF REFERENCE TIES



Nail and seal in Power Pole NW 63.43'

Nail and seal in end fence post S 51.00'

Statement of evidence relative to this corner location is on back of page.

RECORDED
GRANTOR ✓
GRANTEE ✓
INDEXED

I hereby certify that this document and the data contained herein was prepared by me or under my direct supervision.

Lytle E. Moezy 6-8-1990
SIGNATURE DATE

Registration No. 11943

Land Surveyor, Professional Engineer

County Surveyor, County Engineer

OFFICE OF THE COUNTY RECORDER
County of Yellow Medicine

I hereby certify that this document was filed in the Co. Recorders office at 3:35 P.M. on the 13 day of February A.D., 19 91

County Recorder Norman J. Goddard

By _____, Deputy

DOCUMENT NO. 198972

Statement of Evidence:

Original survey was done in the 1860,s.

John Nordgaard remonumented the county around 1905-1930 with 6"x6"
Granite stones but to our knowledge he never set ~~any~~ $\frac{1}{4}$ corners.

We did not dig as nothing was ever recorded, we set the corner midway
and on line.

CERTIFICATE OF LOCATION OF GOVERNMENT CORNER

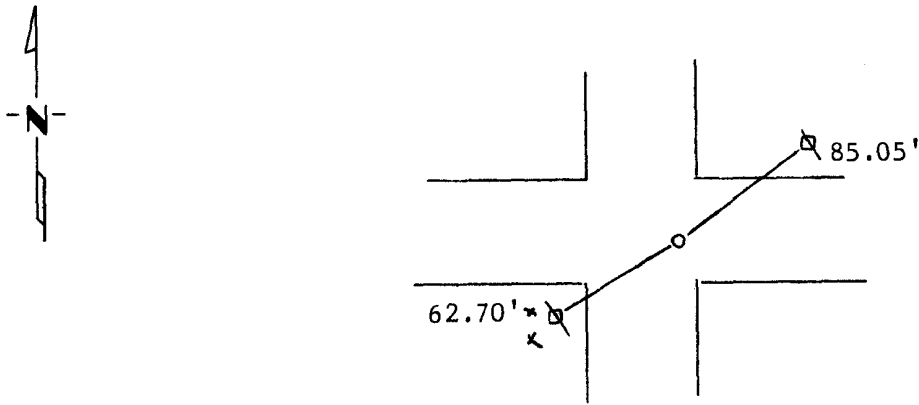
Northeast Corner of Section 32, Township 114N, Range 39W, 5th P.M.

STATE OF MINNESOTA, County of Yellow Medicine

At the corner location shown on the sketch:

- On May 30, 1990 found a Dug with jackhammer found square cut stone 20"
DATE
down.
- left monument as found, lowered monument, removed monument (explain)
- On May 30, 1990 placed a 5/8" rerod with seal above stone at road surface,
DATE
Corner is 2' West of East bridge rail.

SKETCH OF REFERENCE TIES



- Nail and seal in Power Pole NE 85.05'
- Nail and seal in Power Pole SW 62.70'
- Nail and seal in C.F.P. SW 62.25'

Statement of evidence relative to this corner location is on back of page.

RECORDED ✓
 GRANTOR ✓
 GRANTEE ✓
 INDEXED ✓

I hereby certify that this document and the data contained herein was prepared by me or under my direct supervision.

Levi C. Moseley 6-8-90
SIGNATURE DATE

Registration No. 11947

- Land Surveyor, Professional Engineer
- County Surveyor, County Engineer

OFFICE OF THE COUNTY RECORDER
 County of Yellow Medicine

I hereby certify that this document was filed in the Co. Recorders office at 3:30 P.M. on the 13 day of February A.D., 19 91

County Recorder *Dennis J. Gode*

By _____, Deputy

DOCUMENT NO. 198971

Statement of Evidence:

The original survey was done in the 1860,s.

John Nordgaard remonumented the county around 1905-1930 with 6"x6"
Granite stones.

County highway department had ties to corner from 1963.

We dug wit a jackhammer and found ~~XXXX~~a PK nail on top of stone.

We put a 5/8" rerod with seal at ro~~o~~d surface.

CERTIFICATE OF LOCATION OF GOVERNMENT CORNER

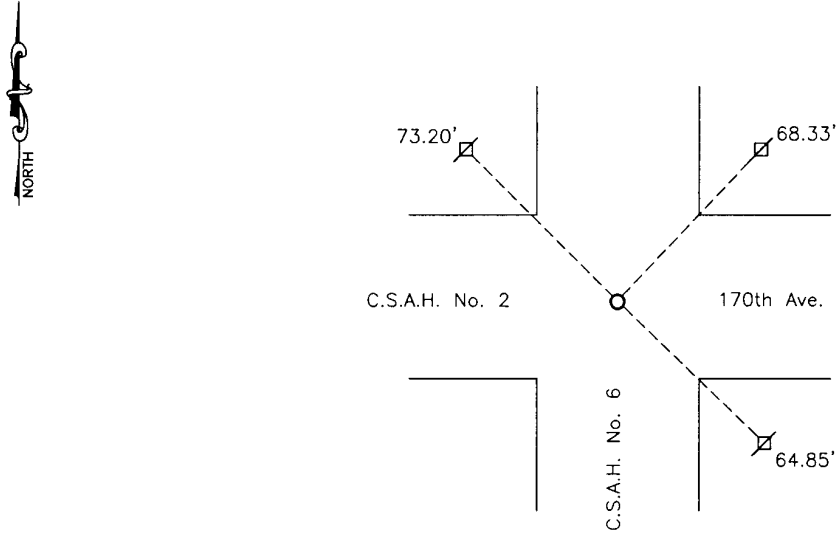
NORTHEAST Corner of Section 33, Township 114, Range 39, 5TH P.M.

STATE OF MINNESOTA, County of YELLOW MEDICINE

At the corner location shown on the sketch:

- On _____ found a _____
DATE
- left monument as found, lowered monument, removed monument (explain)
- On 12/5/16 placed a survey spike with seal #43844
DATE

SKETCH OF REFERENCE TIES



Minnesota State Plane Coordinate
 System Yellow Medicine County Datum
 NAD83 (1996)
 N: 137537.689
 E: 592829.958

Nail and bottle cap in utility pole NW 73.20'
 Nail and bottle cap in utility pole NE 68.33'
 Nail and bottle cap in utility pole SE 64.85'

Statement of evidence relative to this corner location is on back of page.

I hereby certify that this document and the data contained herein was prepared by me or under my direct supervision.

[Signature] 2/27/17
 SIGNATURE DATE

Registration No. 43844

- Land Surveyor, Professional Engineer
- County Surveyor, County Engineer

OFFICE OF THE COUNTY RECORDER

County of _____

I hereby certify that this document was filed in the Co. Recorders office at _____ .M on the _____ day of _____ A.D. 20 _____

County Recorder _____

By _____, Deputy

DOCUMENT NO. _____

Statement of Evidence

In September, 1864, Chas E. Davis and J.W. Webb Jr. did the original subdivision of the township.

On November 19, 1891, Jonah Peterman, County Surveyor, found a stone at the corner.

In 1939, the Yellow Medicine County Highway Department found a 1" iron pipe was set at the corner.

In 1963, the Yellow Medicine County Highway Department recorded the corner as assumed.

On December 5, 2016, Bueltel-Moseng Land Surveying set a survey spike with seal #43844 by using the Yellow Medicine County Highway Department old stationing highway plans from the southeast corner of Section 33-114-39.

Doc# 266113 Fee: \$0.00 2 Pages

Property & Public Services

Property Records Division

Yellow Medicine County, Minnesota

I hereby certify that the within instrument
was filed on April 17, 2017 at 10:40 AM

Janel Timm, Yellow Medicine County Recorder

By Kelly Kueger Deputy

CERTIFICATE OF LOCATION OF GOVERNMENT CORNER

NORTHEAST Corner of Section 34, Township 114, Range 39, 5TH P.M.

STATE OF MINNESOTA, County of YELLOW MEDICINE

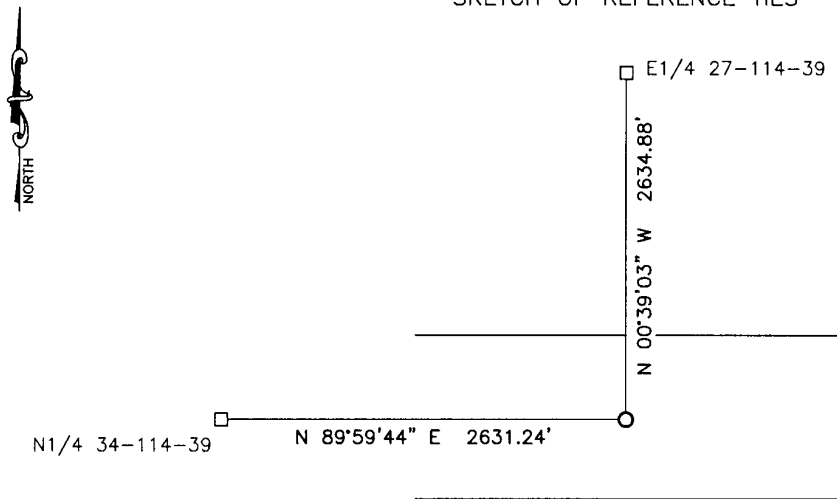
At the corner location shown on the sketch:

On 12/5/16 found a county spike in hub
DATE

left monument as found, lowered monument, removed monument (explain)

On 12/5/16 placed a 5/8" iron with seal #43844
DATE

SKETCH OF REFERENCE TIES



Minnesota State Plane Coordinate
System Yellow Medicine County Datum
NAD83 (1996)

N: 137538.095
E: 598118.928

Statement of evidence relative to this corner location is on back of page.

I hereby certify that this document and the data contained herein was prepared by me or under my direct supervision

[Signature] 2/16/17
SIGNATURE DATE

Registration No. 43844

Land Surveyor, Professional Engineer
 County Surveyor, County Engineer

OFFICE OF THE COUNTY RECORDER
County of _____

I hereby certify that this document was filed in the Co. Recorders office at _____ .M on the _____ day of _____ A.D. 20 _____

County Recorder _____

By _____, Deputy

DOCUMENT NO. _____

Statement of Evidence

In September, 1864, Chas E. Davis and J.W. Webb Jr. did the original subdivision of the township.

On November 19, 1891, Jonah Peterman, County Surveyor, found the corner.

On May, 1999, Moseng Land Surveying found a spike in wood stake at the corner.

On December 15, 2016, Bueltel-Moseng Land Surveying found a county spike in hub at the corner. We set a 5/8" iron with seal #43844 over found spike.

Doc# 266115 Fee: \$0.00 2 Pages

Property & Public Services

Property Records Division

Yellow Medicine County, Minnesota

I hereby certify that the within instrument
was filed on April 17, 2017 at 10:50 AM

Janel Timm, Yellow Medicine County Recorder

By Kelly Kauger Deputy

CERTIFICATE OF LOCATION OF GOVERNMENT CORNER

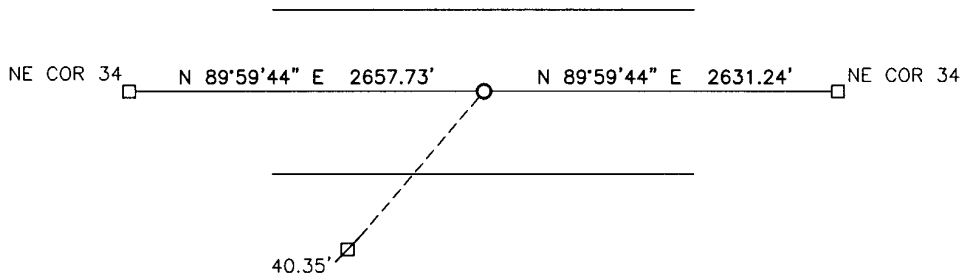
NORTH QUARTER Corner of Section 34, Township 114, Range 39, 5TH P.M.

STATE OF MINNESOTA, County of YELLOW MEDICINE

At the corner location shown on the sketch:

- On _____ found a _____
DATE
- left monument as found, lowered monument, removed monument (explain)
- On 12/5/16 placed a 5/8" iron with seal #43844
DATE

SKETCH OF REFERENCE TIES

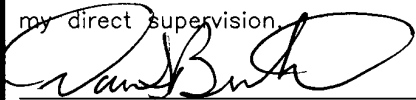


Minnesota State Plane Coordinate
 System Yellow Medicine County Datum
 NAD83 (1996)
 N: 137537.893
 E: 595487.688

Nail and survey marker in utility pole SW 40.35'

Statement of evidence relative to this corner location is on back of page.

I hereby certify that this document and the data contained herein was prepared by me or under my direct supervision.

 2/27/17
 SIGNATURE DATE

Registration No. 43844

- Land Surveyor, Professional Engineer
- County Surveyor, County Engineer

OFFICE OF THE COUNTY RECORDER

County of _____

I hereby certify that this document was filed in the Co. Recorders office at _____ .M on the _____ day of _____ A.D. 20 _____

County Recorder _____

By _____, Deputy

DOCUMENT NO. _____

Statement of Evidence

In September, 1864, Chas E. Davis and J.W. Webb Jr. did the original subdivision of the township.

On November 19, 1891, Jonah Peterson, County Surveyor, shows distances in between the section corners to establish the corner.

On December 5, 2016, Bueltel-Moseng Land Surveying set a 5/8" iron with seal #43844 on line and at proportionate distances from the 1891 survey.

Doc# 266114 Fee: \$0.00 2 Pages

Property & Public Services

Property Records Division

Yellow Medicine County, Minnesota

I hereby certify that the within instrument
was filed on April 17, 2017 at 10:45 AM

Janel Timm, Yellow Medicine County Recorder

By Kelly Kauger Deputy

CERTIFICATE OF LOCATION OF GOVERNMENT CORNER

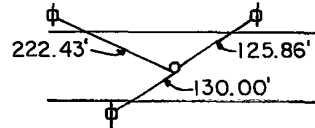
Corner to Section 34 Township 114 N. Range 39 W. No. _____

STATE OF MINNESOTA,

County of YELLOW MEDICINE S.S.

I hereby certify that on the 31 day of MARCH 1978,
that I, LYLE E. MOSENG, a Registered Land Surveyor, ~~County Surveyor,~~
~~County Highway Engineer,~~ found the NORTHEAST corner of SECTION 34
WOODEN STAKE
which was evidenced by A 4"x6" 20 INCHES LONG IN LINE WITH FENCE TO THE NORTH AND
CENTERLINE OF ROAD and I further certify that to perpetuate the
location of such corner I did, at the exact location thereof, place a permanent
marker consisting of A ~~RAILROAD~~ SPIKE IN THE CENTER OF WOODEN STAKE, 4 INCHES BELOW RD SURFACE.
I further certify that I established 3 references or witness monuments consist-
ing of POWER POLES which reference or witness monuments are
located in the manner following.

NORTHEAST 125.86 FEET TO DH NAIL & BC IN POWER POLE
NORTHWEST 222.43 FEET TO DH NAIL & BC IN POWER POLE
SOUTHWEST 130.00 FEET TO DH NAIL & BC IN POWER POLE



Dated at MARSHALL, Minnesota, this 19 day of APRIL, 1978.

183011
OFFICE OF THE REGISTER OF DEEDS

County of Yellow Medicine

Lyle E. Moseng
~~County Surveyor, County Highway Engineer,~~
Registered Land Surveyor No. 11943

I hereby certify that the within instrument was filed in this office for
record on the 16 day of November A.D., 1983 at 2:45 o'clock P.M.

Norman J. Opdahl, County Recorder

Register of Deeds

by Kay Nordsthe Deputy

CERTIFICATE OF LOCATION OF GOVERNMENT CORNER

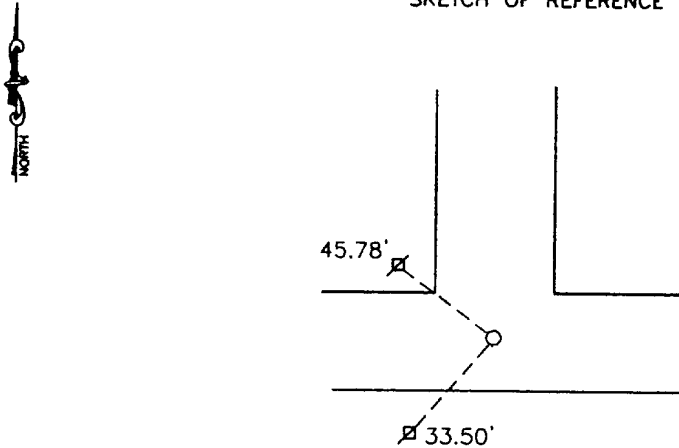
North Quarter Corner of Section 35, Township 114, Range 39, 5th P.M.

STATE OF MINNESOTA, County of Yellow Medicine

At the corner location shown on the sketch:

- On _____ found a _____
- left monument as found, lowered monument, removed monument (explain)
- On May 17, 1999 placed a 1" iron pipe w/seal #11943

SKETCH OF REFERENCE TIES



Nail and seal in power pole 45.78' NW
 Nail and seal in power pole 33.50' SW

Orig. on file ✓
 1 copy in Red Book ✓
 1 copy Ret to Lyle ✓

RECORDED ✓
 GRANTED ✓
 GRANTED ✓
 INDEXED ✓

Statement of evidence relative to this corner location is on back of page.

I hereby certify that this document and the data contained herein was prepared by me or under my direct supervision.

Lyle C. Moring 6-1-99
SIGNATURE DATE

Registration No. 11943
 Land Surveyor, Professional Engineer
 County Surveyor, County Engineer

OFFICE OF THE COUNTY RECORDER
County of _____

I hereby certify that this document was filed in the Co. Recorders office at 9:25 A. M on the 19 day of July A.D. 1999

County Recorder Kay Nerdahl
 By *Heidi Rohuk*, Deputy

DOCUMENT NO. 220605

N/e

Statement of Evidence

June 5, 1891 Jonah Peterson, the County Surveyor, set a stone.

May, 1926 John Norguard recorded the distance from the southeast corner of section to the south quarter of section as 2600'.

On May 17, 1999 Moseng Land Surveying dug, with backhoe from Jesseritz Construction, on line between section corners and 2600 feet West from northeast corner sec. 35-114-39, and found nothing. We placed a 1" iron pipe with seal number 11943, on line between section corners and 2600' feet west of northeast corner.

CERTIFICATE OF LOCATION OF GOVERNMENT CORNER

Northeast Corner of Section 35, Township 114N, Range 39W, 5th P.M.

STATE OF MINNESOTA, County of Yellow Medicine

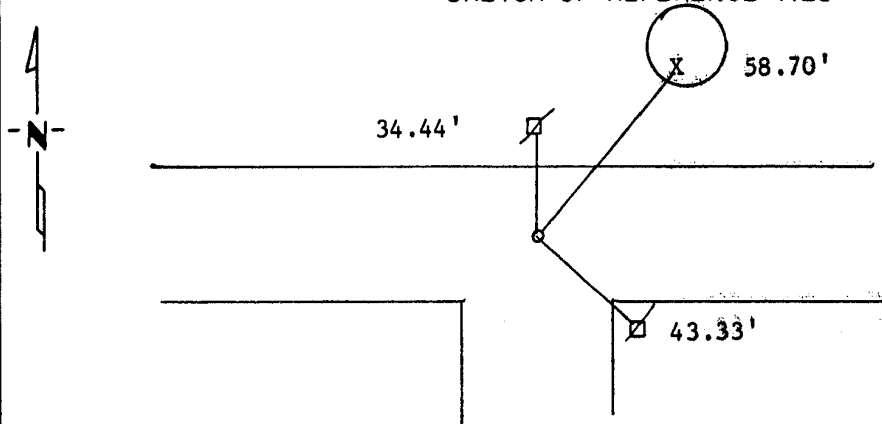
At the corner location shown on the sketch:

On _____ found a _____
DATE

left monument as found, lowered monument, removed monument (explain)

On 8/19/76 placed a 5/8" rerod wih seal in the centerline of road and in line
DATE
with field line to the North and road to the South.

SKETCH OF REFERENCE TIES



Nail and Seal Power Pole N 34.44'
Nail and Seal Power Pole SE 43.33'
X in concrete floor of corner NE 58.70'

Statement of evidence relative to this corner location is on back of page.

I hereby certify that this document and the data contained herein was prepared by me or under my direct supervision.

Lyle E. Moser 2/22/1989
SIGNATURE DATE

Registration No. 11943

Land Surveyor, Professional Engineer
 County Surveyor, County Engineer

OFFICE OF THE COUNTY RECORDER
County of Yellow Medicine

I hereby certify that this document was filed in the Co. Recorders office at 10:00 A.M. on the 8 day of November A.D., 19 89

County Recorder Norman J. Pedersen

By _____, Deputy

DOCUMENT NO. 196205

Statement of Evidence:

We dug a hole 3'X 3'X 3' found nothing John Norgaard called for a stone here in 1901.

Natural ground was less than 6" deep. I talked with local farmers no one had ever seen it but assumed it was were I set it.

CERTIFICATE OF LOCATION OF GOVERNMENT CORNER

Corner to Section 35 Township 114 N Range 39 W No. _____

STATE OF MINNESOTA,

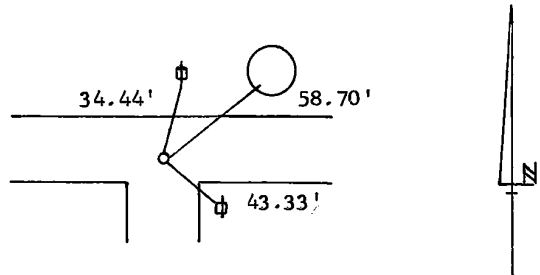
County of Yellow Medicine S.S.

I hereby certify that on the 19th day of August 1976,
 that I, Lyle E. Moseng, a Registered Land Surveyor, ~~County Surveyor,~~
~~County Highway Engineer,~~ ^{SET} found the Northeast corner of Section 35
~~which was evidenced by~~ SEE BACK

and I further certify that to perpetuate the
 location of such corner I did, at the exact location thereof, place a permanent
 marker consisting of #4 rebar w/seal.

I further certify that I established 3 references or witness monuments consist-
 ing of two power poles & "X" in the concrete which reference or witness monuments are
 located in the manner following.
 flooring of a corn crib

- | | | |
|--|----|----------|
| Dh nail & bc in PP | N | 34.44 ft |
| "X" in the concrete flooring of a corn | NE | 58.70 ft |
| crib | SE | 43.33 ft |
| Dh nail & bc in PP | | |



Dated at Marshall, Minnesota, this 27th day of May, 1980.

Lyle E. Moseng
~~County Surveyor, County Highway Engineer,~~
 Registered Land Surveyor No. 11943

183012
 OFFICE OF THE REGISTER OF DEEDS

County of Yellow Medicine

I hereby certify that the within instrument was filed in this office for
 record on the 16 day of November A.D., 1983, at 2:50 o'clock P.M.

Norman J. Opdahl, County Recorder
 Register of Deeds
 by Kay Dendahl Deputy

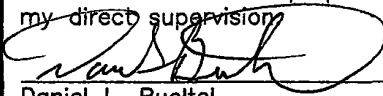
In 1901 John Nordgard called for a stone; we dug and found nothing; natural ground was 6" below existing surface; we set the corner in the center line of the east-west road & in the center line of the south road.

Corners to be Indexed

N1/4 36-114-39
S1/4 36-114-39 (N1/4 1-113-39)
W1/4 36-114-39 (E1/4 35-114-39)

Doc# 279605 Fee: \$0.00 2 Pages
Property & Public Services
Property Records Division
Yellow Medicine County, Minnesota
I hereby certify that the within instrument
was filed on February 13, 2023 at 12:20 PM

I hereby certify that this document and the data
contained herein was prepared by me or under
my direct supervision



2/9/2023
Date

Daniel L. Bueltel
License No. 43844

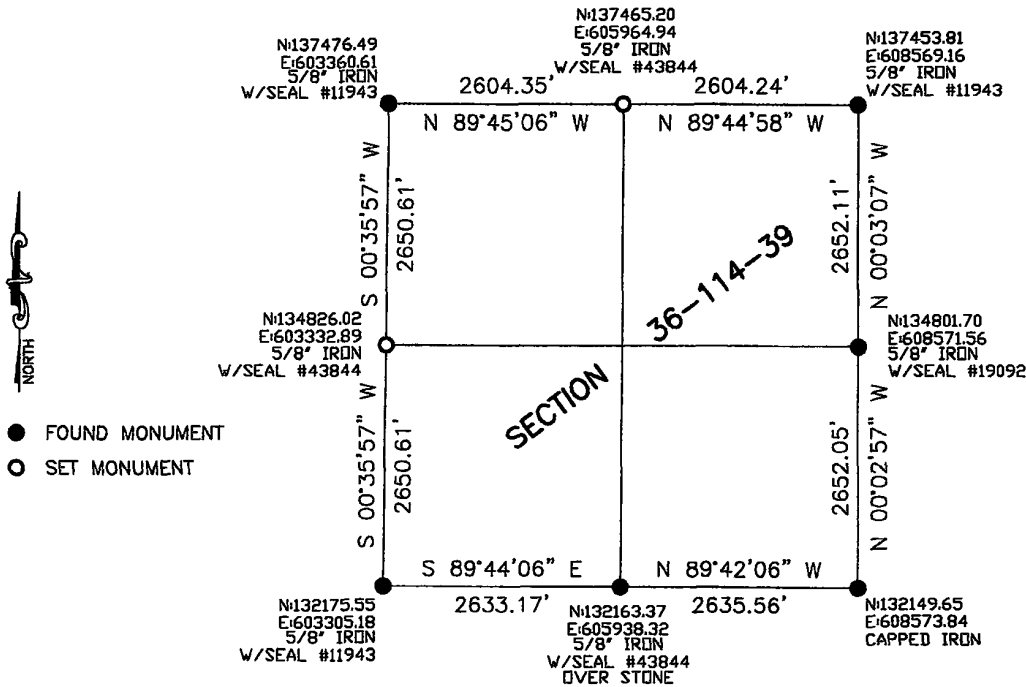
Janel Timm, Yellow Medicine County Recorder

By Marit Nordang Deputy

CERTIFICATE OF LOCATION OF GOVERNMENT CORNER

Land survey monuments situated in Section 36, Township 114, Range 39, 5TH P.M.

STATE OF MINNESOTA, County of YELLOW MEDICINE



Statement of Evidence

N1/4 36-114-39

In September, 1864, Chas E. Davis and J.W. Webb Jr. did the original subdivision of the township.

In June 1891, Jonah Peterman, County Surveyor, found the corner.

A survey from 1920 shows a stone at the corner midway between section corners with a total mile being 5206 feet and the half mile being 2603 feet.

On May 20, 2022 Bueltel-Moseng Land Surveying found a 1/2" iron with seal #19092, we recorded the position of the iron, removed and dug with a back hoe, nothing was found. Set a 5/8" iron with seal #43844 at the position of the found 1/2" iron. Distances are within 1.00±

W1/4 36-114-39 (E1/4 35-114-39)

In September, 1864, Chas E. Davis and J.W. Webb Jr. did the original subdivision of the township.

On May 20, 2022, Bueltel-Moseng Land Surveying set a 5/8" iron with seal #43844 midway and on line between section corners.

S1/4 36-114-36 (N1/4 1-113-39)

In September, 1864, Chas E Davis and J.W. Webb Jr. did the original subdivision of the township.

In June 1891, Jonah Peterman, County Surveyor, shows a field stone at the corner.

On May 20, 2022 Bueltel-Moseng Land Surveying dug with back hoe and found an 18" field stone 4' below the roads surface. Set a 5/8" iron with seal #43844 on the west side of the stone and set a 5/8" iron with seal #43844 over the stone at the roads surface.

CERTIFICATE OF LOCATION OF GOVERNMENT CORNER

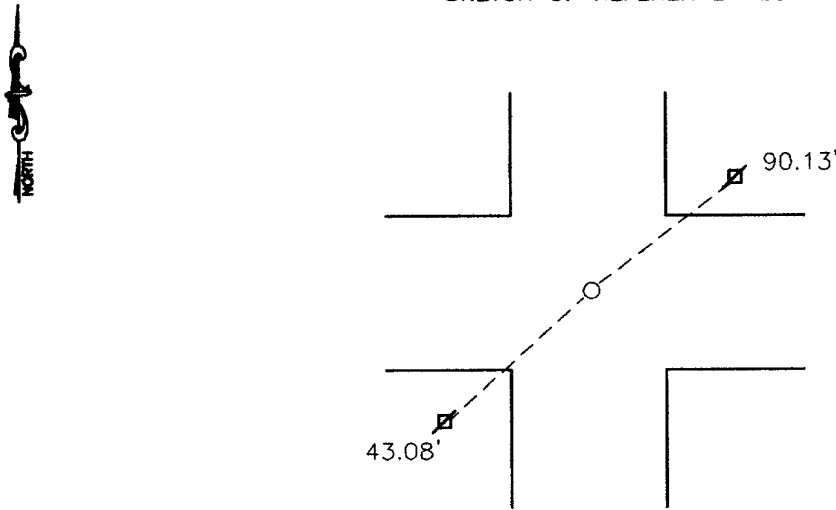
North East Corner of Section 36, Township 114, Range 39, 5th P.M.

STATE OF MINNESOTA, County of Yellow Medicine

At the corner location shown on the sketch:

- On 10-10-2000 found a 8x8 inch square cut granite stone
DATE
- left monument as found, lowered monument, removed monument (explain)
- On 10-10-2000 placed a 1"x 20" iron pipe w/seal on top at road surface
DATE

SKETCH OF REFERENCE TIES



Nail and bottle cap in power pole 43.08' Southwest
 Nail and bottle cap in power pole 90.13' East Northeast

Statement of evidence relative to this corner location is on back of page.

I hereby certify that this document and the data contained herein was prepared by me or under my direct supervision.

Lyle P. Morgan 2-05-01
SIGNATURE DATE

Registration No. 11943

- Land Surveyor, Professional Engineer
- County Surveyor, County Engineer

OFFICE OF THE COUNTY RECORDER
County of

I hereby certify that this document was filed in the Co. Recorders office at 10:45 A.M. on the 13 day of August A.D. 19 2001

County Recorder Kay Nerdahl

By Dale Rohlik, Deputy

DOCUMENT NO. 226595

Statement of Evidence

On October 10, 2000 Moseng Land Surveying dug and found a 8"x8" square cut Granite stone. We placed a 1" x 20" iron pipe with a seal #11943 on top of it.

CERTIFICATE OF LOCATION OF GOVERNMENT CORNER

Corner to Section 36 Township 114 N Range 39 W No. _____

STATE OF MINNESOTA,

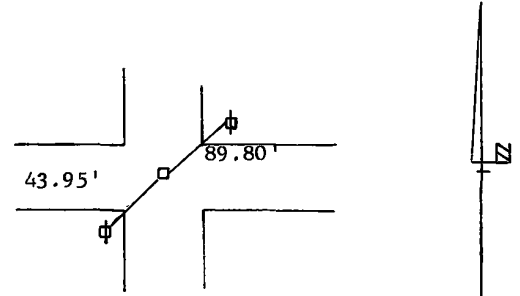
County of Yellow Medicine S.S.

I hereby certify that on the 16th day of December 1976,
that I, Lyle E. Moseng, a Registered Land Surveyor, ~~County Surveyor,~~
~~County Highway Engineer,~~ found the Northeast corner of Section 36

_____ which was evidenced by 1" metal pin with a hook on the top in the middle
of the intersection and I further certify that to perpetuate the
location of such corner I did, at the exact location thereof, place a permanent
marker consisting of _____ Left as Found.

I further certify that I established 2 references or witness monuments consist-
ing of two power poles which reference or witness monuments are
located in the manner following.

Dh nail & bc in PP NE 89.80 ft
Dh nail & bc in PP SW 43.95 ft



Dated at Marshall, Minnesota, this 29th day of May, 1980.

Lyle E. Moseng
~~County Surveyor, County Highway Engineer,~~
Registered Land Surveyor No. 11943

183013
OFFICE OF THE REGISTER OF DEEDS

County of Yellow Medicine

I hereby certify that the within instrument was filed in this office for
record on the 16 day of November A.D., 1983, at 2:55 o'clock P.M.

Norman J. Opdahl, County Recorder

Register of Deeds

by Kay Dordahl Deputy