

CERTIFICATE OF LOCATION OF GOVERNMENT CORNER

East Quarter _____ Corner of Section 4, Township 115, Range 45, 5th P.M.

STATE OF MINNESOTA, County of Yellow Medicine

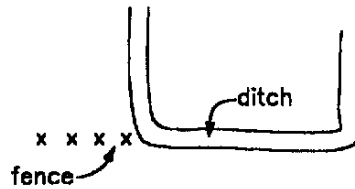
At the corner location shown on the sketch:

On _____ found a _____
DATE

left monument as found, lowered monument, removed monument (explain)

On Nov. 14, 1996 placed a 5/8" Iron w/seal #11943
DATE
** SEE BACK **

SKETCH OF REFERENCE TIES



NE Corner Section 4-115-45

2588.86'
2638.13'

SE Corner Section 4-115-45

RECORDED
GRANTOR ✓
GRANTEE ✓
INDEXED ✓

Statement of evidence relative to this corner location is on back of page.

I hereby certify that this document and the data contained herein was prepared by me or under my direct supervision.

Lyle C. Mooring 11/15/1996
SIGNATURE DATE

Registration No. 11943

Land Surveyor, Professional Engineer
 County Surveyor, County Engineer

OFFICE OF THE COUNTY RECORDER
County of Yellow Medicine

I hereby certify that this document was filed in the Co. Recorders office at 2:10 P.M on the 20th day of November A.D. 1996

County Recorder Nomand Spade
By _____, Deputy

DOCUMENT NO. 213053

STATEMENT OF EVIDENCE:

The original survey Sept. 19, 1871 set post & mound 40 chains north of the southeast section corner.
Total mile = 78.60 chains

No records of corner were found.

Yellow Medicine County Highway Department always considered it a straight line between the section corners.

No digging took place in the asphalt road at the request of the Yellow Medicine County Highway Department.

We tried to set the corner by single proportionate measurements, but it fell 22 feet north of the existing fence line & ditch line to the west. I set the corner on line between section corners and in line with fence to the west.

CERTIFICATE OF LOCATION OF GOVERNMENT CORNER

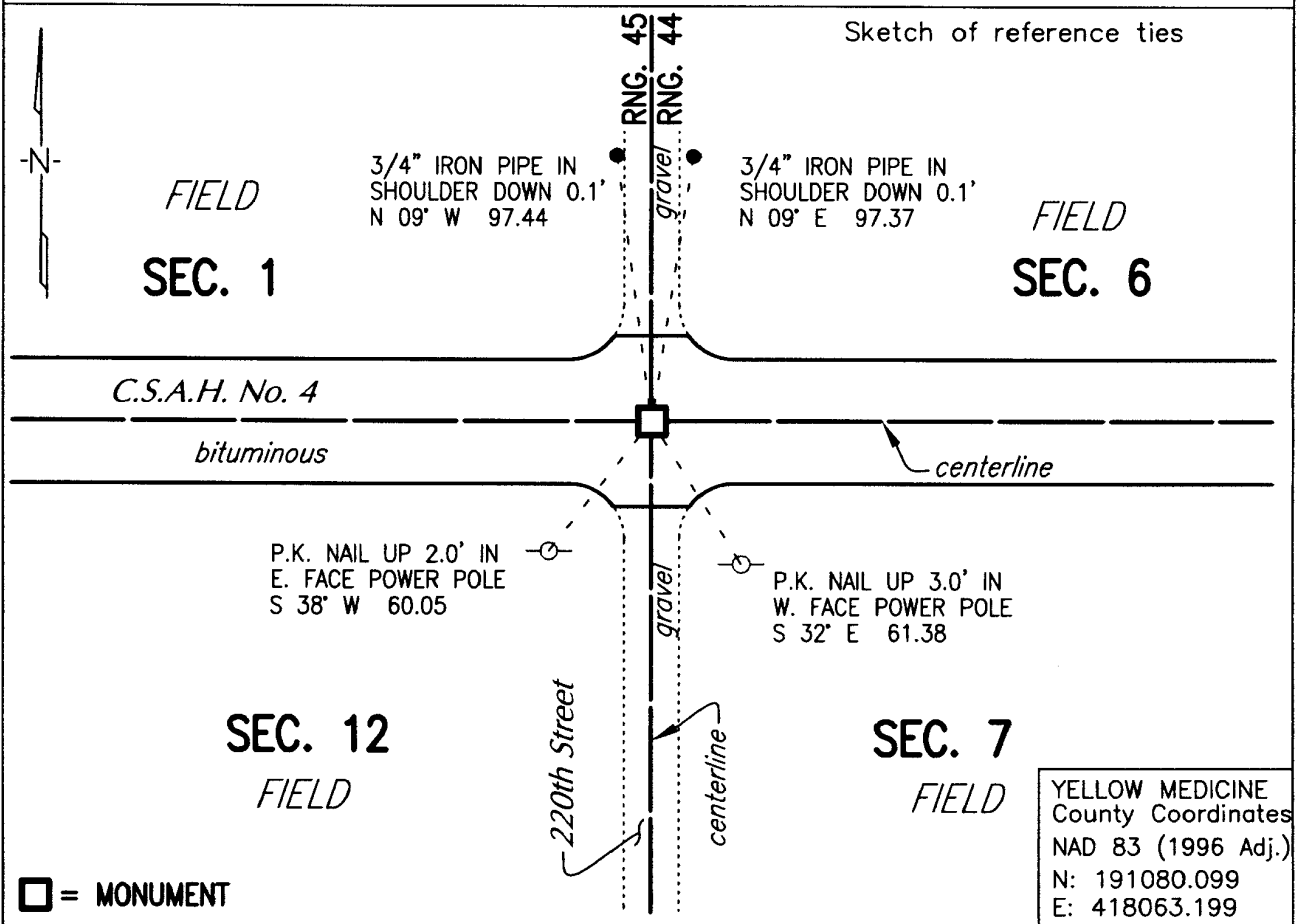
NORTHEAST Corner of Section 12, Township 115N, Range 45W, 5TH P.M.
STATE OF MINNESOTA, County of YELLOW MEDICINE.

At the corner location shown on the sketch :

On 10-22-2010 found 1/2" rebar with plastic cap stamped LS 19092, flush in bit. roadway.
Date

left monument as found, lowered monument, removed monument (explain)

On _____ set _____
Date



Statement of evidence relative to this corner location is on back page

I hereby certify that this document and the data contained herein was prepared by me or under my direct supervision.

Douglas J. Rude 3-8-2011
Signature Date

Registration No. 22422

- Land Surveyor, Professional Engineer
- County Surveyor, County Engineer

OFFICE OF THE COUNTY RECORDER

County of _____

I hereby certify that this document was filed in the Co. Recorder office at _____ M on the _____ day of _____ A.D., 20____

County Recorder _____

By _____, Deputy

DOCUMENT NO. _____

YELLOW MEDICINE
County Coordinates
NAD 83 (1996 Adj.)
N: 191080.099
E: 418063.199

Statement of Evidence

NORTHEAST CORNER SECTION 12, TOWNSHIP 115 NORTH, RANGE 45 WEST, 5TH P.M.

- 1858 William J. Neely, Deputy Surveyor, running north between Ranges 44 and 45, set a post for the corner during the original survey. His notes also state he deposited coal and made a mound, trench and pits per instructions.
- 1916 John Norguard, County Surveyor, conducted a survey of Section 1, T115N, R45W. His notes indicate he found all 4 Section Corners, but does not describe the type of monument. He then places the North, South and West ¼ Corners midway and on-line between Section corners.
- 1930 Yellow Medicine Highway Department Construction Plans for S.A.R. No. 25 (currently C.S.A.H. No. 4) show the section corner at Station 51+36.5. The description used for the monument is "Reg. Mon." with the following ties:
Tel. P. N.W. 70.5'
Cor. F.P. N.E. 42.0'
- 1950 Yellow Medicine Highway Department Section Corner Tie Sheet for T115, R45:
Notes call for a stone 6" deep with the following ties:
P.P. S.W. 60.1'
F.P. N.W. 64.5'
3rd F.P. S.E. 58.7'
- 1954 Yellow Medicine Highway Department Section Corner Tie Sheet for T115, R45:
No monument description is given. Ties listed as follows:
Cor. F.P. N.E. 49.3'
P.P. S.W. 60.4'
T.P. S.E. 40.1'
Cor. F.P. S.E. 43.1
- 1957 Yellow Medicine Highway Department Construction Plans for S.R. #4 show the section corner at Station 160+26 at the intersection of roads N-S-E-W. No monument description is given, but ties match those given in the 1954 Section Corner Tie Sheet.
- 2006 Roy Marihart, LS# 19092 conducted a survey in Section 1. He states he found a spike at the intersection of center lines, down 6" which he believes was set by the County. He perpetuates this location by setting a ½" rebar with plastic cap at the surface.
- 2010 Kevin Kuisle and Tom Runions, Yaggy Colby Associates survey crew, found Marihart's capped ½" rebar. Found a power pole S.W. 60.1 feet. This P.P. is possibly the same one mentioned in the 1950's. Measured the following distances from the corner:
North 5294.52 feet to the NE corner of Sec. 1.
South 5290.40 feet to the SE corner of Sec. 12.
East 5136.58 feet to the SE corner of Sec. 6, T115, R44. This is within 0.1 foot of the Highway Departments 1930 distance.
West 5306.28 feet to the NW corner of Sec. 12. This is within 2.2 feet of the Highway Department's 1930 distance and within 0.6 foot of the Highway Department's 1957 distance.
The 1/16th fence line south of the corner falls within 1.8 feet of the ½ mile split. After analysis of the record and survey data and based on the best available evidence, the ½" rebar set by Marihart is accepted as a perpetuation of the Original Public Land Survey corner. Land ties were measured and recorded.

Doc# 252385 Fee: \$0.00 2 Pages
Office of County Recorder
Yellow Medicine County, Minnesota
I hereby certify that the within instrument
was filed on March 10, 2011 at 1:45 PM

Kay Zempel, Yellow Medicine County Recorder

By  Heidi J. Brackbill, Deputy

N/C
Yaggy Colby Associates
717 3rd Ave. SE
Rochester, MN 55904

CERTIFICATE OF LOCATION OF GOVERNMENT CORNER

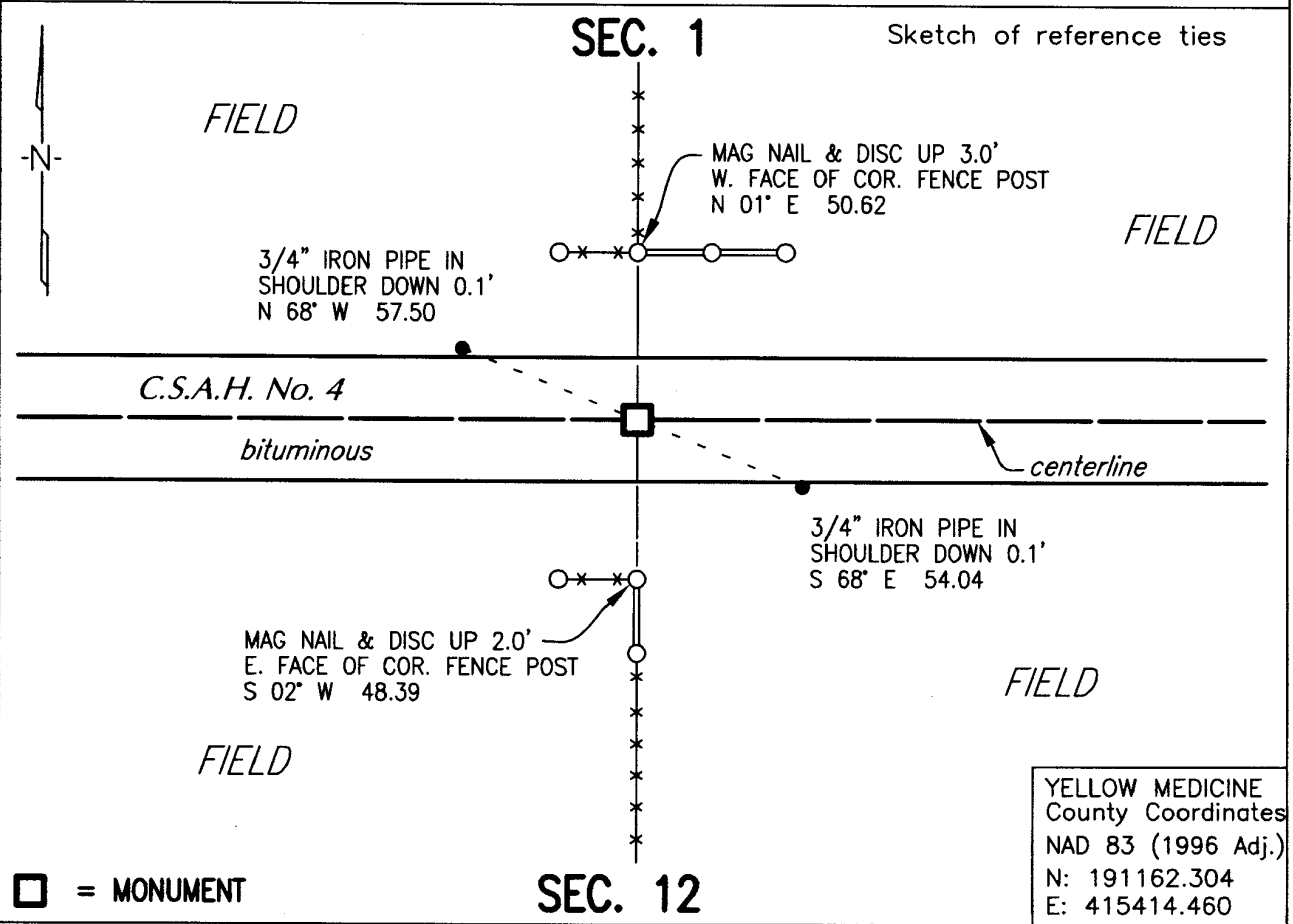
NORTH QUARTER Corner of Section 12, Township 115N, Range 45W, 5TH P.M.
 STATE OF MINNESOTA, County of YELLOW MEDICINE.

At the corner location shown on the sketch :

On 10-22-2010 found nothing.
Date

left monument as found, lowered monument, removed monument (explain)

On 12-16-2010 set a 3/4" x 18" iron pipe with plastic cap stamped LS 22422, on line
Date
 between section corners and in line with fences north and south.



= MONUMENT

SEC. 12

Statement of evidence relative to this corner location is on back page

I hereby certify that this document and the data contained herein was prepared by me or under my direct supervision.

Douglas J. Reed 3-8-2011
Signature Date

Registration No. 22422
 Land Surveyor, Professional Engineer
 County Surveyor, County Engineer

OFFICE OF THE COUNTY RECORDER

County of _____

I hereby certify that this document was filed in the Co. Recorder office at _____ M on the _____ day of _____ A.D., 20____

County Recorder _____

By _____, Deputy

DOCUMENT NO. _____

Statement of Evidence

NORTH QUARTER CORNER SECTION 12, TOWNSHIP 115 NORTH, RANGE 45 WEST, 5TH P.M.

- 1871 Lewis Harrington, Deputy Surveyor, set a post and raised a mound per instructions for the corner during the original survey.
- 1916 John Norguard, County Surveyor, conducted a survey of Section 1, T115N, R45W. His notes indicate he found all 4 Section Corners and then places the North, South and West ¼ Corners midway and on-line between Section corners. His notes do not describe the monuments found or set.
- 1930 Yellow Medicine Highway Department Construction Plans for S.R. #4 shows fences running north and south, but do not indicate a monument.
- 1957 Yellow Medicine Highway Department Construction Plans for S.R. #4 shows fences running north and south, but do not indicate a monument.
- 2010 Kevin Kuisle and Tom Runions, Yaggy Colby Associates survey crew, searched the area with a metal detector but did not find any evidence of a monument. A temporary nail position was set and analyzed on a projection of old barb wire fences running north and south from the road and on a straight line between the northwest and northeast corners of Section 12, as this was the same procedure Norguard used in 1916. This temporary nail position is also on the centerline of the bituminous County State Aid Highway No. 4. The County Construction plans from 1930 and 1957 both show the road centerline running straight between the section corners, with no P.I. at the quarter corner. The E-W fence lines that run parallel to CSAH No. 4 are 50.2 feet north and 48.7 feet south of the road centerline /temporary nail position. This temporary position is 3.1 feet west of a lost position and on line between the 2 nearest section corners. The projection of a monument and fence line at the north quarter of Section 1 through a fence corner at the center of Section 1 is within 0.5 foot of the temporary nail position. The same is true for a field line at the south quarter of Section 12 through a fence corner at the center of Section 12. The following distances were measured from the temporary nail:

East 2650.0 feet to the NE corner of Sec. 12.

West 2656.3 feet to the NW corner of Sec. 12.

A 1/16th fence line south of the temporary nail position falls within 1.8 feet of the ½ mile split to the fence corner at the center of Section 12. After analysis of the record and survey data and based on the best available evidence, the position of the temporary nail is accepted as a perpetuation of the Original Public Land Survey corner and a ¾" x 18" iron pipe with plastic cap stamped LS 22422 was set and land ties were measured and recorded.

Doc# 252384 Fee: \$0.00 2 Pages

**Office of County Recorder
Yellow Medicine County, Minnesota
I hereby certify that the within instrument
was filed on March 10, 2011 at 1:40 PM**

Kay Zempel, Yellow Medicine County Recorder

By  Deputy

N/C
Yaggy Colby Associates
717 3rd Ave. SE
Rochester, MN 55904

CERTIFICATE OF LOCATION OF GOVERNMENT CORNER

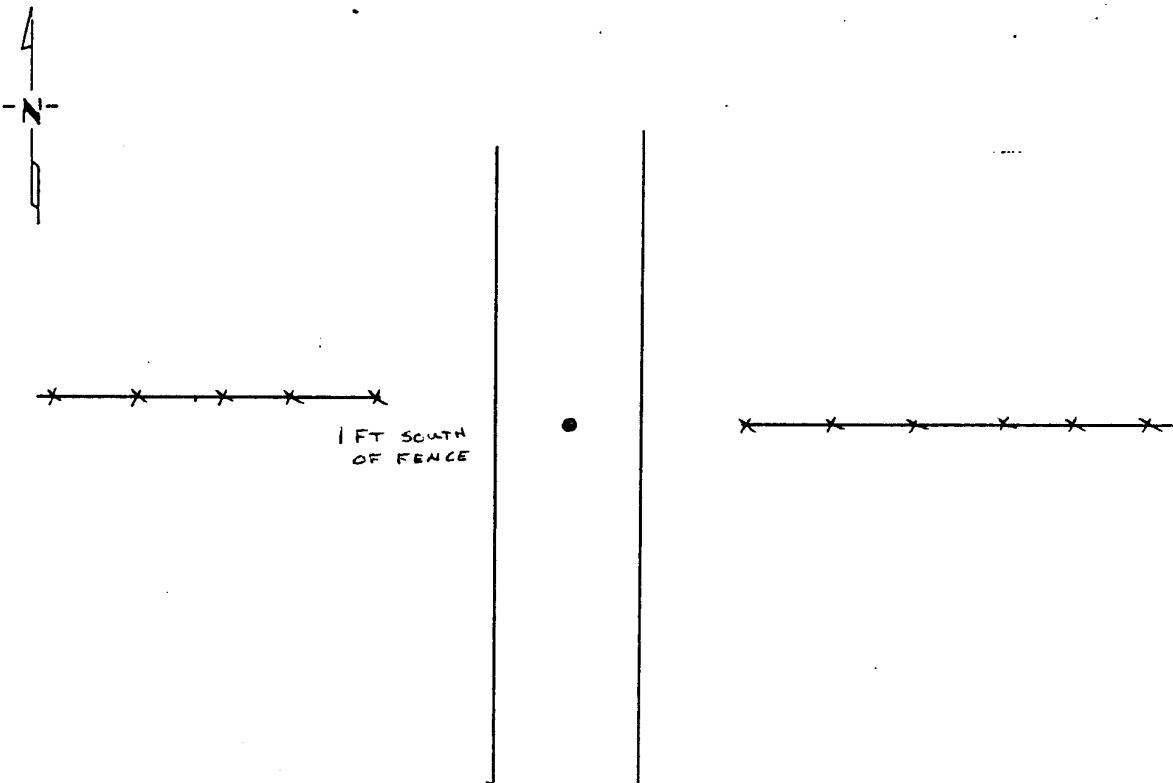
EAST 1/4 Corner of Section 13, Township 115, Range 45, 5TH P.M.
 STATE OF MINNESOTA, County of YELLOW MEDICINE

At the corner location shown on the sketch:

- On 3/31/92 found a 2" x 2" SQUARE IRON TUBE 16" BELOW SURFACE
DATE
PLACED 5/8" x 30" I.S. WITH RLS 6700 CAP INSIDE TUBE 3" BELOW SURFACE
 left monument as found, lowered monument, removed monument (explain)
- On _____ placed a _____
DATE

SKETCH OF REFERENCE TIES

AG-LAND ENGINEERING RUTHTON, MN



Statement of evidence relative to this corner location is on back of page.

I hereby certify that this document and the data contained herein was prepared by me or under my direct supervision.

C. Allan Bergquist 4-1-92
SIGNATURE DATE

Registration No. 6700
 Land Surveyor, Professional Engineer
 County Surveyor, County Engineer

OFFICE OF THE COUNTY RECORDER
 County of Yellow Medicine

I hereby certify that this document was filed in the Co. Recorders office at 10:15 A.M. on the 3 day of April A.D., 19 92

County Recorder Norman J. Grotz
 By _____, Deputy

DOCUMENT NO. 201587

CERTIFICATE OF LOCATION OF GOVERNMENT CORNER

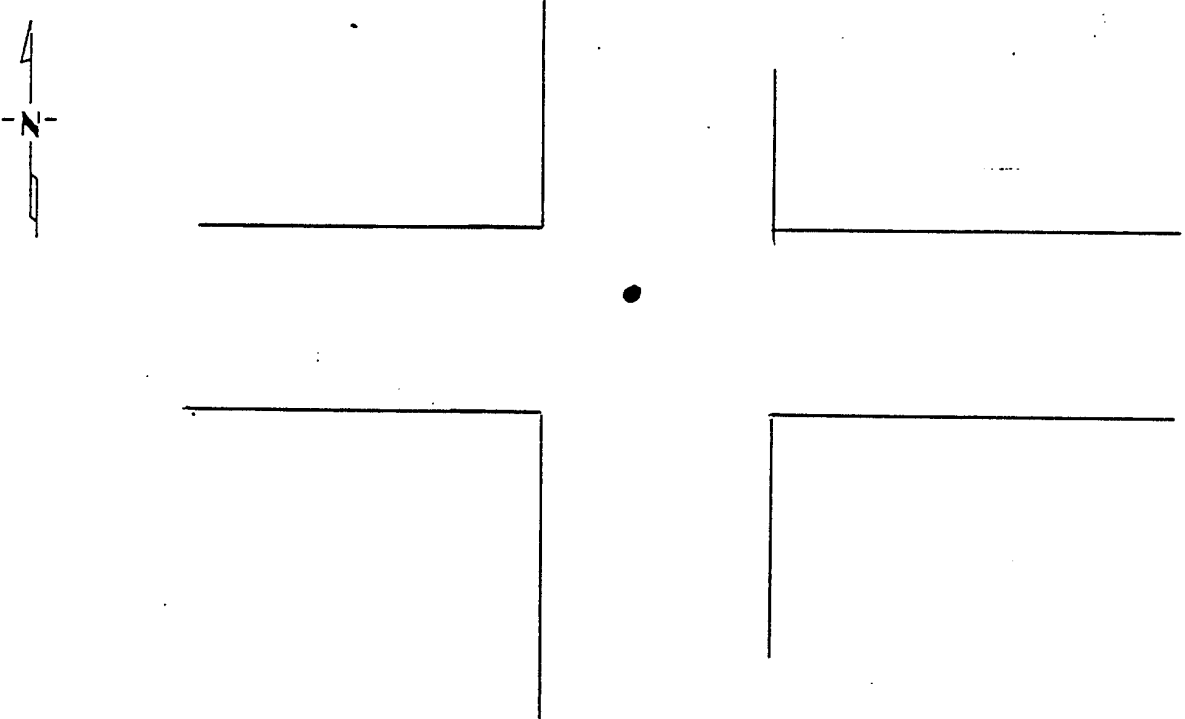
NORTH EAST Corner of Section 13, Township 115, Range 45, 5TH P.M.

STATE OF MINNESOTA, County of YELLOW MEDICINE

At the corner location shown on the sketch:

- On 3/31/92 found a 6" x 6" STONE 24" BELOW SURFACE
DATE
PLACED 5/8" x 30" I.S. NEXT TO STONE AND 1/2" x 5" I.S. 2" BELOW SURF.
 left monument as found, lowered monument, removed monument (explain)
- On _____ placed a _____ AND ABOVE STONE
DATE

SKETCH OF REFERENCE TIES



RUTHTON, MN

AG-LAND ENGINEERING

Statement of evidence relative to this corner location is on back of page.

I hereby certify that this document and the data contained herein was prepared by me or under my direct supervision.

C. Allen Engquist 4-1-92
SIGNATURE DATE

- Registration No. 6700
- Land Surveyor, Professional Engineer
 - County Surveyor, County Engineer

OFFICE OF THE COUNTY RECORDER
County of Yellow Medicine

I hereby certify that this document was filed in the Co. Recorders office at 10:10 A.M. on the 3 day of April A.D., 1992

County Recorder Norman J. Gordon
By _____, Deputy

DOCUMENT NO. 201586

CERTIFICATE OF LOCATION OF GOVERNMENT CORNER

Northeast Corner of Section 15, Township 115N, Range 45W, 5th P.M.

STATE OF MINNESOTA, County of Yellow Medicine

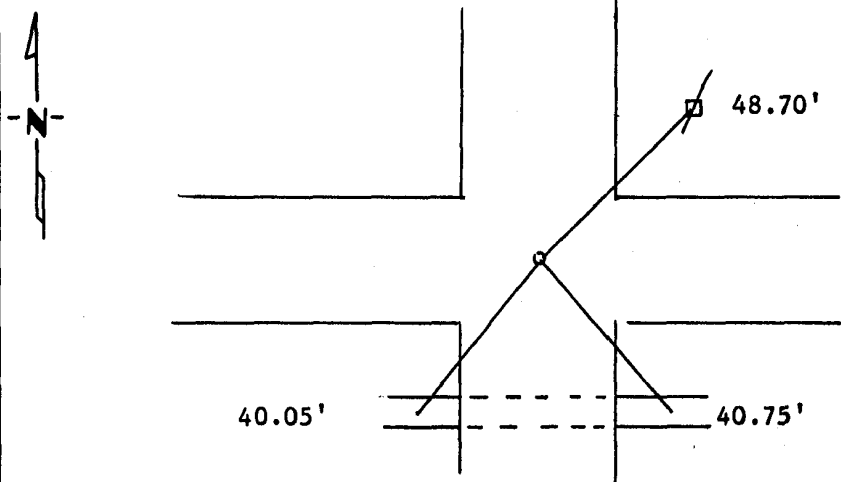
At the corner location shown on the sketch:

On 4/11/88 found a Found a 6" X 6" Granite stone.
DATE

left monument as found, lowered monument, removed monument (explain)

On 4/11/88 placed a Set a 5/8" rerod at road surface.
DATE

SKETCH OF REFERENCE TIES



Nail and Seal in Power Pole	48.70'
PK Nail in CMP West	40.05'
PK Nail in CMP East	40.75'

Statement of evidence relative to this corner location is on back of page.

I hereby certify that this document and the data contained herein was prepared by me or under my direct supervision.

Lyle E. Mearns 2/22/1989
SIGNATURE DATE

Registration No. 11943

- Land Surveyor, Professional Engineer
- County Surveyor, County Engineer

OFFICE OF THE COUNTY RECORDER
County of Yellow Medicine

I hereby certify that this document was filed in the Co. Recorders office at 10:40 A.M. on the 8 day of November A.D., 19 89

County Recorder Norman S. Godall

By _____, Deputy

DOCUMENT NO. 196213

Statement of Evidence:

CERTIFICATE OF LOCATION OF GOVERNMENT CORNER

East Quarter Corner of Section 15, Township 115 N, Range 45 W, 5th P.M.

STATE OF MINNESOTA, County of Yellow Medicine

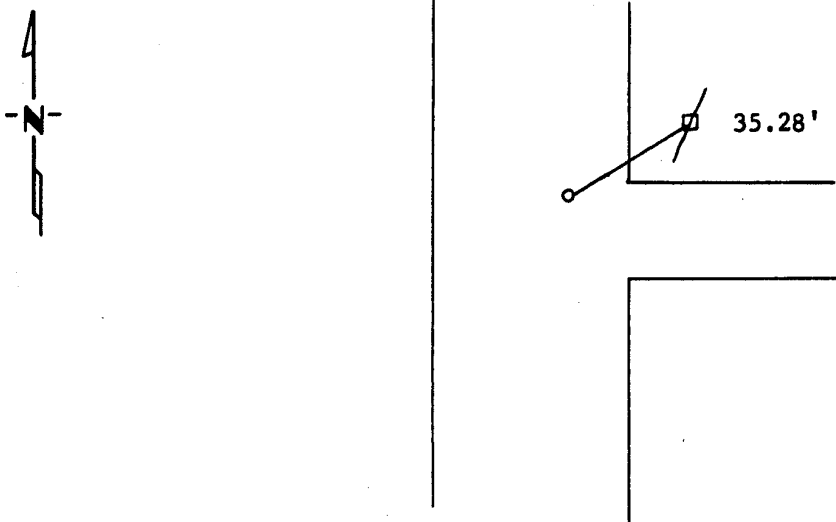
At the corner location shown on the sketch:

On _____ found a _____
DATE

left monument as found, lowered monument, removed monument (explain)

On 4/11/88 placed a Set a 5/8" rerod with seal midway and on line in
DATE between section corners.

SKETCH OF REFERENCE TIES



Nail and Seal in Power Pole 35.28'

Rerod set 5' feet from center of road.

Statement of evidence relative to this corner location is on back of page.

I hereby certify that this document and the data contained herein was prepared by me or under my direct supervision.

Lytle C. Mowery 2/22/1989
SIGNATURE DATE

Registration No. 11943

- Land Surveyor, Professional Engineer
- County Surveyor, County Engineer

OFFICE OF THE COUNTY RECORDER
County of Yellow Medicine

I hereby certify that this document was filed in the Co. Recorders office at 10:35 A.M. on the 8 day of November A.D., 19 89

County Recorder Norman J. Goddard

By _____, Deputy

DOCUMENT NO. 196212

Statement of Evidence:

CERTIFICATE OF LOCATION OF GOVERNMENT CORNER

North Quarter _____ Corner of Section 15, Township 115 N, Range 45 W, 5th P.M.

STATE OF MINNESOTA, County of Yellow Medicine

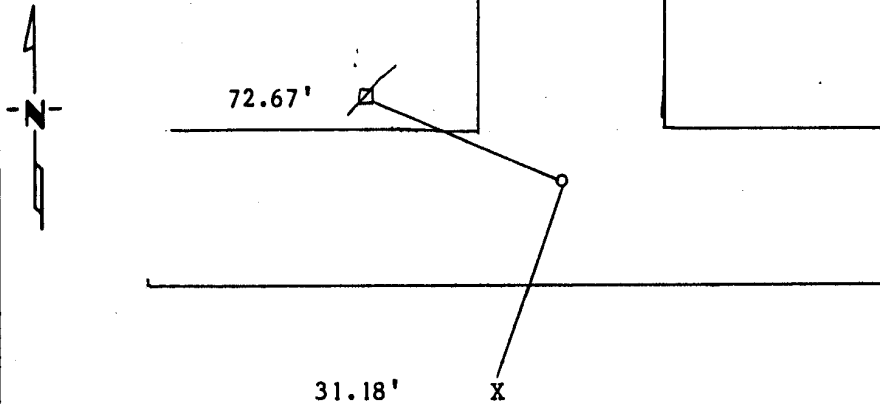
At the corner location shown on the sketch:

On _____ found a _____
DATE

left monument as found, lowered monument, removed monument (explain)

On 4/13/88 placed a Set a 5/8" rerod on line between section corners.
DATE

SKETCH OF REFERENCE TIES



Nail and Seal in Power Pole 72.67'
Nail and Seal in Fence Post 31.18'

Statement of evidence relative to this corner location is on back of page.

I hereby certify that this document and the data contained herein was prepared by me or under my direct supervision.

Lyle E. Mooney 2/22/1989
SIGNATURE DATE

Registration No. 119430
 Land Surveyor, Professional Engineer
 County Surveyor, County Engineer

OFFICE OF THE COUNTY RECORDER
County of Yellow Medicine

I hereby certify that this document was filed in the Co. Recorders office at 10:30 A.M. on the 8 day of November A.D., 19 89

County Recorder Norman Godeke

By _____, Deputy

DOCUMENT NO. 196211

Statement of Evidence:

CERTIFICATE OF LOCATION OF GOVERNMENT CORNER

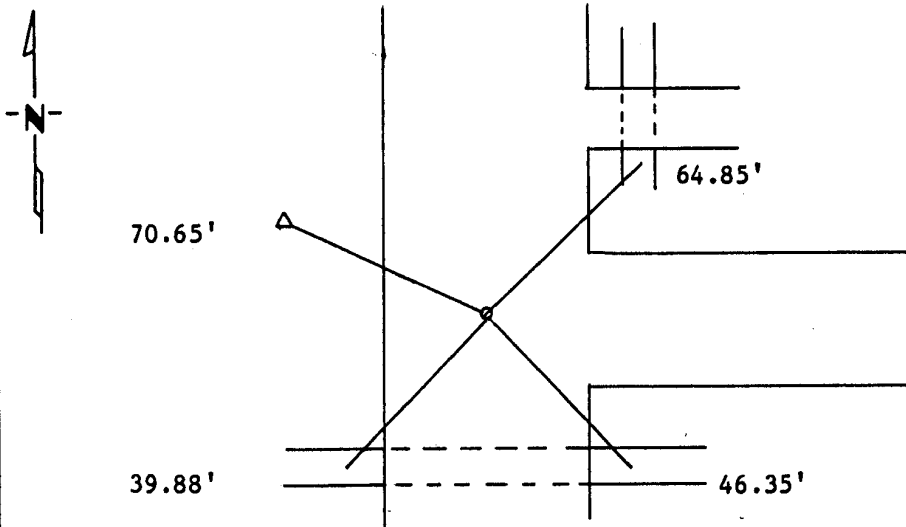
Northeast Corner of Section 16, Township 115N, Range 45W, 5th P.M.

STATE OF MINNESOTA, County of Yellow Medicine

At the corner location shown on the sketch:

- On 4/11/88 ~~XXXXXX~~ Dug, I found several nails with flagging and a wooden stake 2.5 feet down found no stone, the corner appears to be bottom of ditch.
 left monument as found, lowered monument, removed monument (explain)
- On 4/11/88 placed a Set a 5/8" rerod with seal on top of where we found the nails and hub.

SKETCH OF REFERENCE TIES



PK Nail in CMP NE 64.85'
 Nail and Seal in Telephone Post NW70.65'
 X in concrete culvert SW 39.88'
 X in concrete culvert SE 46.35'

Statement of evidence relative to this corner location is on back of page.

I hereby certify that this document and the data contained herein was prepared by me or under my direct supervision.

Lyle E. Murray 2/22/1989
 SIGNATURE DATE
 Registration No. 11943

- Land Surveyor, Professional Engineer
- County Surveyor, County Engineer

OFFICE OF THE COUNTY RECORDER
County of Yellow Medicine

I hereby certify that this document was filed in the Co. Recorders office at 10:50 A.M. on the 8 day of November A.D., 19 89

County Recorder Norman J. Spallone
By _____, Deputy

DOCUMENT NO. 196215

Statement of Evidence:

CERTIFICATE OF LOCATION OF GOVERNMENT CORNER

East Quarter _____ Corner of Section 16 _____, Township 115N _____, Range 45W _____, 5th P.M.

STATE OF MINNESOTA, County of Yellow Medicine

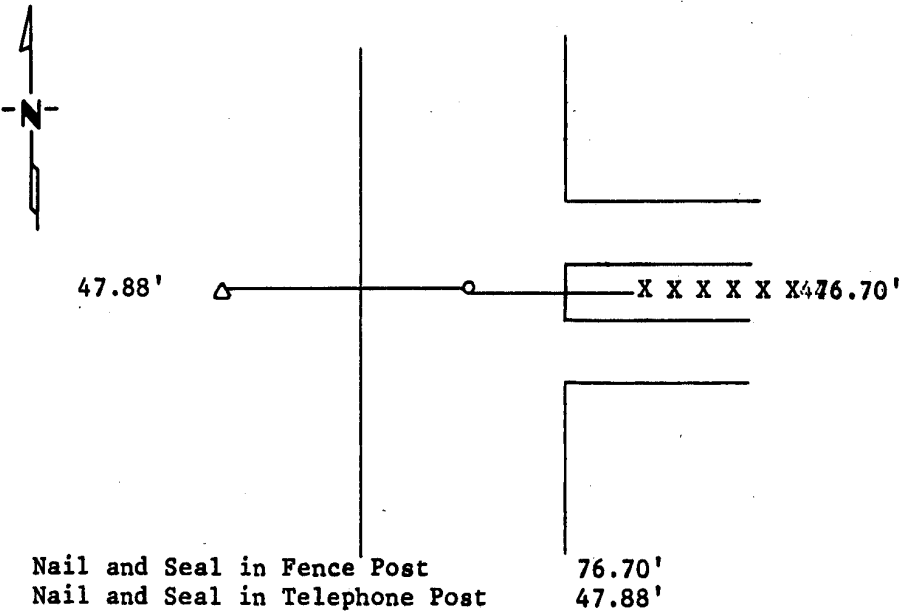
At the corner location shown on the sketch:

On _____ found a _____
DATE

left monument as found, lowered monument, removed monument (explain)

On 4/11/88 placed a Set a 5/8" rerod midway and on line, I did not dig.
DATE

SKETCH OF REFERENCE TIES



Statement of evidence relative to this corner location is on back of page.

I hereby certify that this document and the data contained herein was prepared by me or under my direct supervision.

Lytle E. Mooney 2/22/1989
SIGNATURE DATE

Registration No. 11943
 Land Surveyor, Professional Engineer
 County Surveyor, County Engineer

OFFICE OF THE COUNTY RECORDER

County of Yellow Medicine

I hereby certify that this document was filed in the Co. Recorders office at 10:45 A.M. on the 8 day of November A.D., 1989

County Recorder Norman Goddard

By _____, Deputy

DOCUMENT NO. 196214

Statement of Evidence:

CERTIFICATE OF LOCATION OF GOVERNMENT CORNER

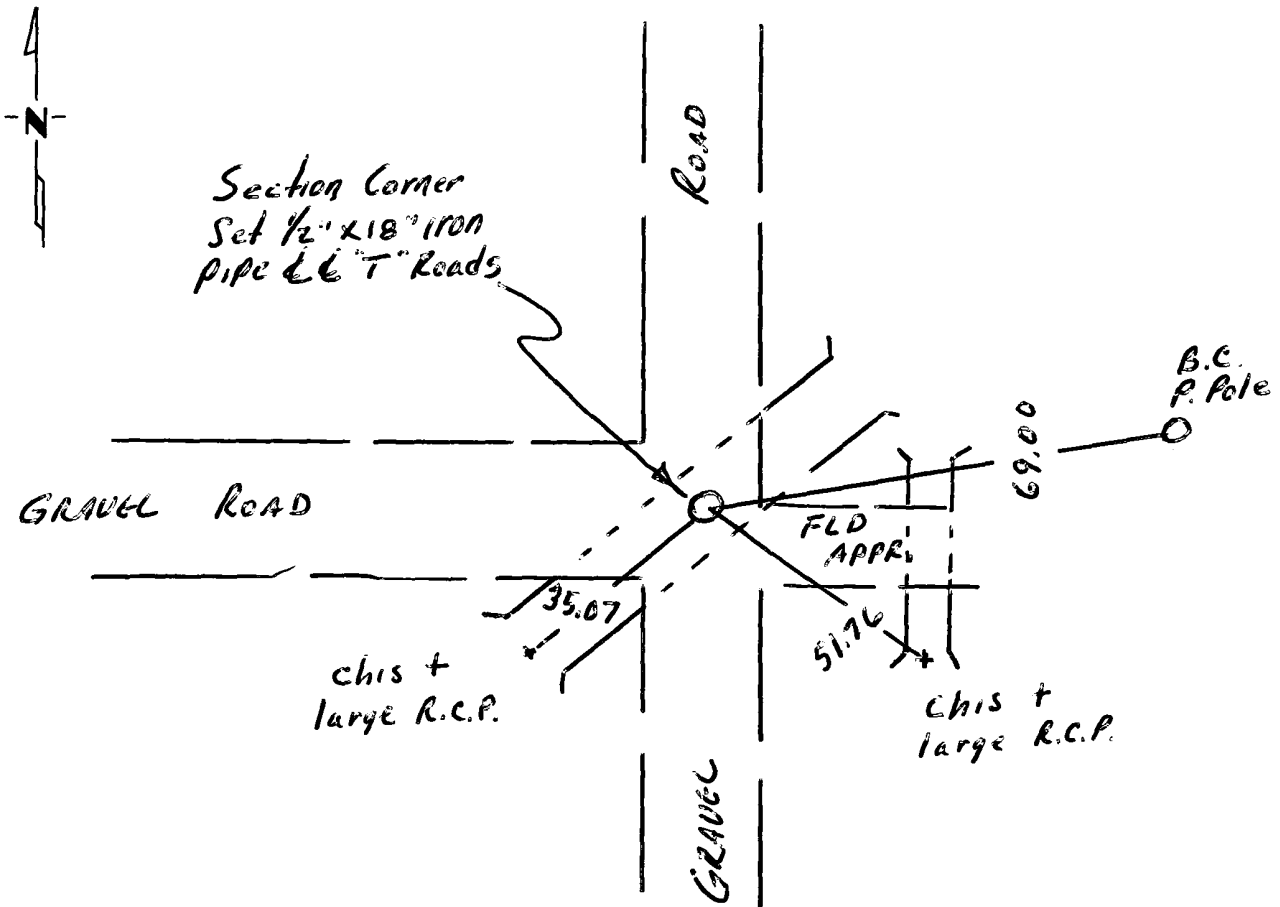
N.W. Corner of Section 17, Township 115, Range 45, B P.M.

STATE OF MINNESOTA, County of YELLOW MEDICINE

At the corner location shown on the sketch:

- On _____ found a _____
DATE
- left monument as found, lowered monument, removed monument (explain)
- On 4/1/1982 placed a IRON PIPE
DATE

SKETCH OF REFERENCE TIES



Statement of evidence relative to this corner location is on back of page.

I hereby certify that this document and the data contained herein was prepared by me or under my direct supervision.

Dale Bohler 4/2/1982
SIGNATURE DATE

Registration No. 12002

- Land Surveyor, Professional Engineer
- County Surveyor, County Engineer

OFFICE OF THE COUNTY RECORDER
County of Yellow Medicine

I hereby certify that this document was filed in the Co. Recorder office at 8:50 A.M. on the 5th day of April A.D., 19 82

County Recorder Norman Q. Godeke

By _____, Deputy Grantor
DOCUMENT NO. 179779 Grantee

Statement of Evidence:

A post in mounds was set at this corner in the Orig. G.L.O. survey in 1878

Book B Pages 23 & 123 in the Co. Records Office states a monument set here 2" above ground.

Co. Hwy Dept shows ties to this corner but all have been destroyed.

1982 I set pipe @ corner @ E & E "T" Road which prorated distance from N.W. corner Sec. 8, (prorated as per E. line Sec's 8 & 17) fits good. (distance to SW cor Sec 17 does not fit.) all as per Book B.

A number of culverts were placed here about 8 yrs ago. Co. Hwy worker was on hand 4/1/82 and stated he did not believe corner was set back in, which was a square stone, although he was not present all the time, but a call to his office could produce no ties etc. Also the corner 1 mile South was also constructed w/ culv's so corner is gone, I believe.

CERTIFICATE OF LOCATION OF GOVERNMENT CORNER

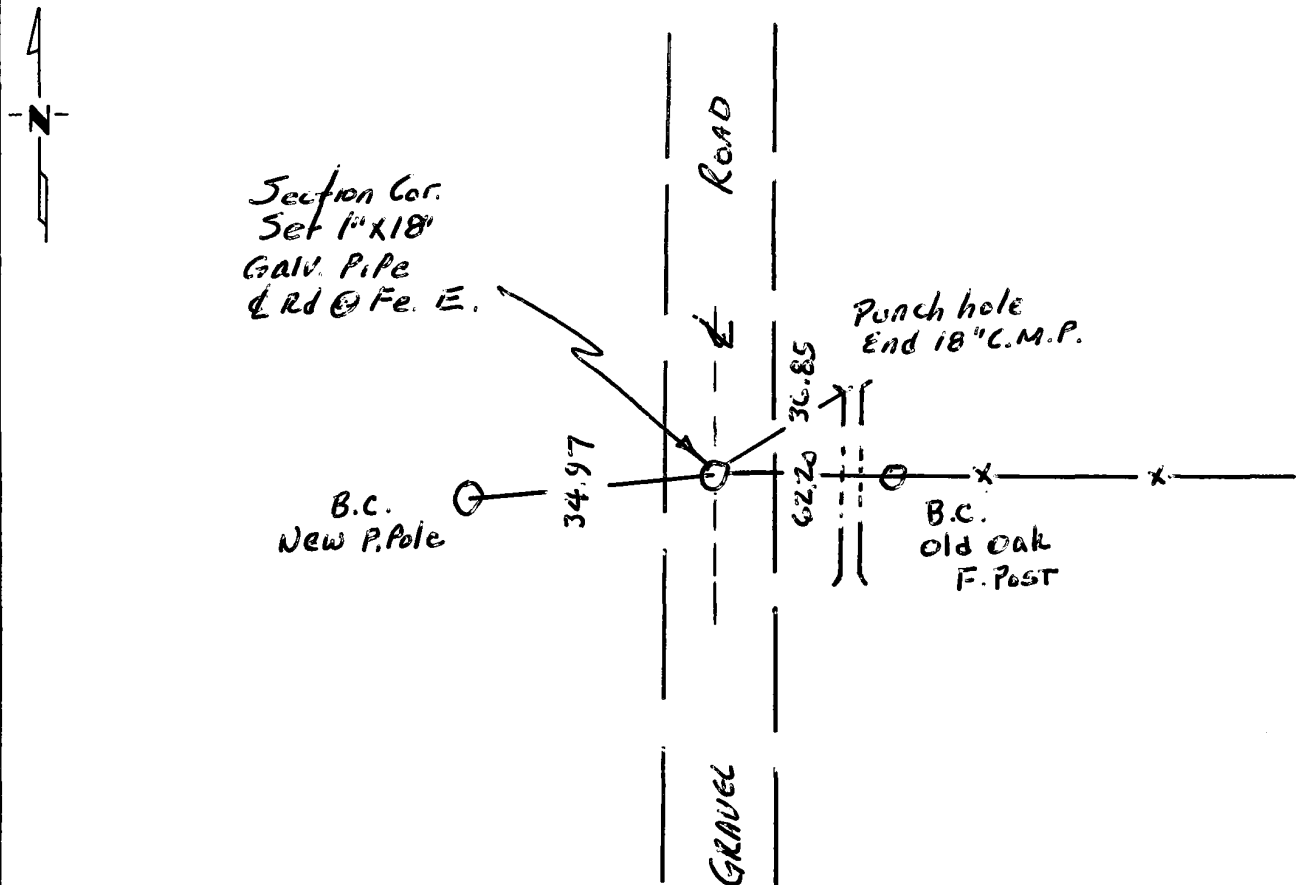
NE Corner of Section 17, Township 115, Range 45, 5 P.M.

STATE OF MINNESOTA, County of YELLOW MEDICINE

At the corner location shown on the sketch:

- On _____ found a _____
DATE
- left monument as found, lowered monument, removed monument (explain)
- On 4/1/1982 placed a IRON PIPE
DATE

SKETCH OF REFERENCE TIES



Statement of evidence relative to this corner location is on back of page.

I hereby certify that this document and the data contained herein was prepared by me or under my direct supervision.

Dale Bohly 4/2/1982
SIGNATURE DATE

Registration No. 12002

Land Surveyor, Professional Engineer

County Surveyor, County Engineer

OFFICE OF THE COUNTY RECORDER
County of Yellow Medicine

I hereby certify that this document was filed in the Co. Recorder office at 8:45 A.M. on the 5th day of April A.D., 19 82

County Recorder Normand Opdahl

By _____, Deputy
DOCUMENT NO. 179778
Grantor ~
Grantee ~

Statement of Evidence:

A post in mounds was set at the corner in the orig. G.L.O. in 1878

Book B P-23 & P-123 in the Co. Records office shows Found stake set mon. level w/grnd.

County Hwy Book shows ties to this corner. The tie 62.2 feet to 3rd F.P. E. was used to reset this corner because it matched \perp road and is an old fence.

1982, I set pipe on old fence E. and this matches within 2 feet the distances in Book B using im's and \perp Roads. Prorated.

CERTIFICATE OF LOCATION OF GOVERNMENT CORNER

EAST QUARTER Corner of Section 18, Township 115, Range 45, 5TH P.M.

STATE OF MINNESOTA, County of YELLOW MEDICINE

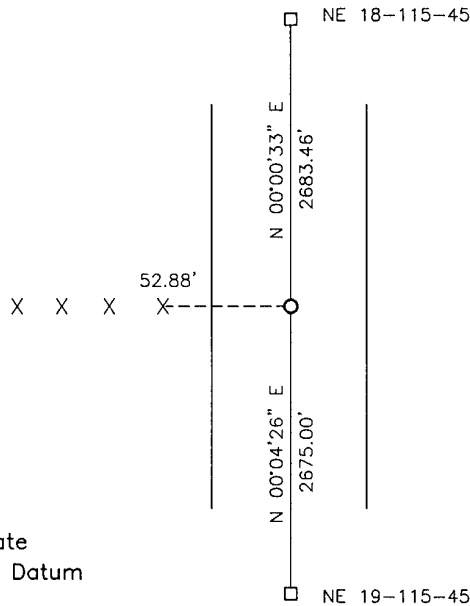
At the corner location shown on the sketch:

On _____ found a _____
DATE

left monument as found, lowered monument, removed monument (explain)

On 08-11-2017 placed a 5/8" IRON WITH SEAL #43844.
DATE

SKETCH OF REFERENCE TIES



Minnesota State Plane Coordinate
System Yellow Medicine County Datum
NAD83 (1996)

N: 183144.884
E: 391412.325

Nail and bottle cap in top of wood fence post West 52.88'

Statement of evidence relative to this corner location is on back of page.

I hereby certify that this document and the data contained herein was prepared by me or under my direct supervision.

[Signature] 3/12/18
SIGNATURE DATE

Registration No. 43844

Land Surveyor, Professional Engineer
 County Surveyor, County Engineer

Doc# 268113 Fee: \$0.00 2 Pages

Property & Public Services
Property Records Division
Yellow Medicine County, Minnesota
I hereby certify that the within instrument was filed on March 28, 2018 at 12:30 PM

Janel Timm, Yellow Medicine County Recorder

By [Signature] Deputy

Statement of Evidence

In 1871, Lewis Harrington did the original subdivision of the township.

In March, 1912, John Norgaard, County Surveyor, located the corner at equal distances between the section corners, but not on line. He set a brick at the corner.

On August 11, 2017, Bueltel-Moseng Land Surveying dug with a backhoe. We found nothing. We set a 5/8" iron with seal #43844 in the center of the road and the recorded distance from the southeast corner of Section 18-115-45. The recorded distance from the south is in line with the occupation line to the west.

CERTIFICATE OF LOCATION OF GOVERNMENT CORNER

NORTH QUARTER Corner of Section 18, Township 115, Range 45, 5TH P.M.

STATE OF MINNESOTA, County of YELLOW MEDICINE

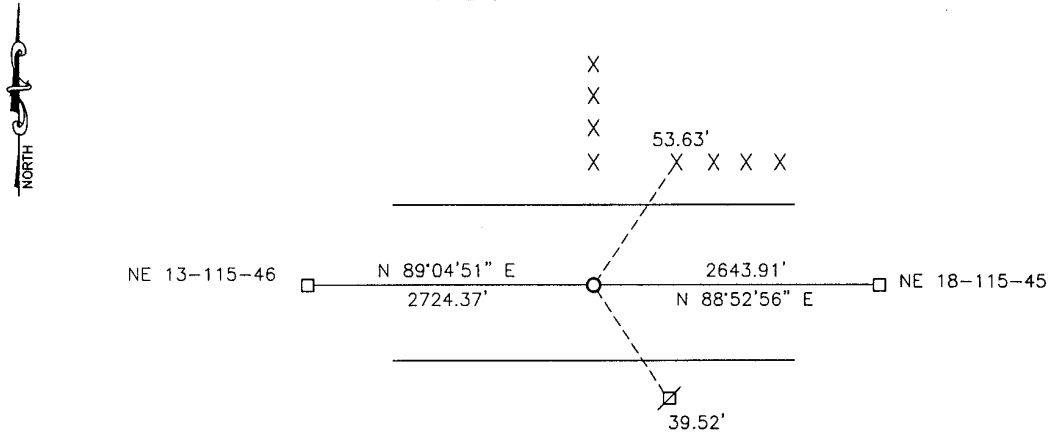
At the corner location shown on the sketch:

On _____ found a _____
DATE

left monument as found, lowered monument, removed monument (explain)

On 08-11-2017 placed a 5/8" IRON WITH SEAL #43844.
DATE

SKETCH OF REFERENCE TIES



Minnesota State Plane Coordinate
System Yellow Medicine County Datum
NAD83 (1996)

N: 185776.764
E: 388768.487

Nail and bottle cap in wood post NE 53.63'
Nail and bottle cap in utility pole SE 39.52'

Statement of evidence relative to this corner location is on back of page.

I hereby certify that this document and the data contained herein was prepared by me or under my direct supervision.

[Signature] 3/12/18
SIGNATURE DATE

Registration No. 43844

Land Surveyor, Professional Engineer
 County Surveyor, County Engineer

Doc# 268112 Fee: \$0.00 2 Pages

Property & Public Services
Property Records Division
Yellow Medicine County, Minnesota
I hereby certify that the within instrument was filed on March 28, 2018 at 12:25 PM

Janel Timm, Yellow Medicine County Recorder

By [Signature] Deputy

Statement of Evidence

In 1871, Lewis Harrington did the original subdivision of the township.

In March 1912, John Norgaard, County Surveyor, located the corner at proportionate distances between the section corners. It is not on line. He set a red brick at the corner.

On August 11, 2017, Bueltel-Moseng Land Surveying dug with a backhoe. We found nothing. We set a 5/8" iron with seal #43844 by splitting the right of way lines to the north and south and in line with the fence to the north. Occupation line is within 1.5'± of proportionate distances.

CERTIFICATE OF LOCATION OF GOVERNMENT CORNER

NORTHEAST Corner of Section 18, Township 115, Range 45, 5TH P.M.

STATE OF MINNESOTA, County of YELLOW MEDICINE

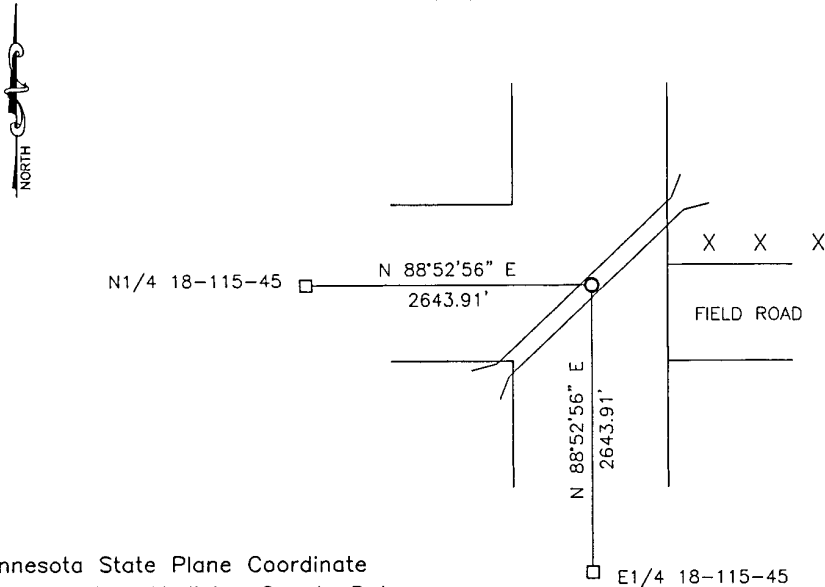
At the corner location shown on the sketch:

On 08-11-2017 found a IRON PIPE.

left monument as found, lowered monument, removed monument (explain)

On _____ placed a _____

SKETCH OF REFERENCE TIES



Minnesota State Plane Coordinate
System Yellow Medicine County Datum
NAD83 (1996)

N: 185828.346
E: 391411.898

Statement of evidence relative to this corner location is on back of page.

I hereby certify that this document and the data contained herein was prepared by me or under my direct supervision.

[Signature] 3/12/18
SIGNATURE DATE

Registration No. 43844

Land Surveyor, Professional Engineer
 County Surveyor, County Engineer

Doc# 268111 Fee: \$0.00 2 Pages

Property & Public Services
Property Records Division
Yellow Medicine County, Minnesota
I hereby certify that the within instrument was filed on March 28, 2018 at 12:20 PM

Janel Timm, Yellow Medicine County Recorder

By Kelly Krueger Deputy

Statement of Evidence

In 1871, Lewis Harrington did the original subdivision of the township.

In March, 1912, John Norgaard, County Surveyor, found the corner.

On April 1, 1982, Dale Boklep set an iron pipe in the center of the north, south, and west roads after learning that the highway department had removed the stone monument during construction.

On August 11, 2017, Bueltel-Moseng Land Surveying found an iron pipe at the corner.

CERTIFICATE OF LOCATION OF GOVERNMENT CORNER

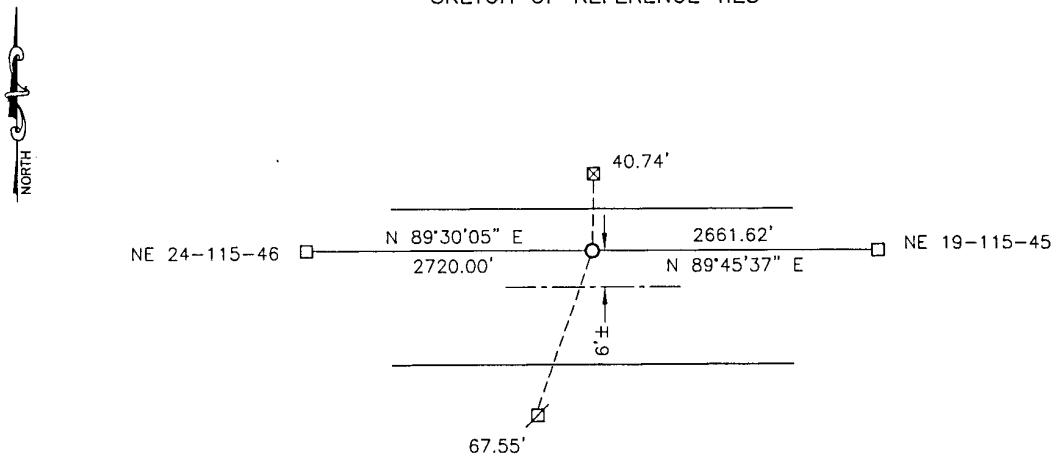
NORTH QUARTER Corner of Section 19, Township 115, Range 45, 5TH P.M.

STATE OF MINNESOTA, County of YELLOW MEDICINE

At the corner location shown on the sketch:

- On _____ found a _____
DATE
- left monument as found, lowered monument, removed monument (explain)
- On 08-11-2017 placed a 5/8" IRON WITH SEAL #43844.
DATE

SKETCH OF REFERENCE TIES



Minnesota State Plane Coordinate
 System Yellow Medicine County Datum
 NAD83 (1996)

N: 180458.747
 E: 388747.283

Nail and bottle cap in cut-off utility pole North 40.74'
 Nail and bottle cap in utility pole SW 67.55'
 Corner is 6± north of the center of the road.

Statement of evidence relative to this corner location is on back of page.

I hereby certify that this document and the data contained herein was prepared by me or under my direct supervision.

[Signature] 3/12/18
SIGNATURE DATE

Registration No. 43844

- Land Surveyor, Professional Engineer
 County Surveyor, County Engineer

Doc# 268115 Fee: \$0.00 2 Pages

Property & Public Services
 Property Records Division
 Yellow Medicine County, Minnesota
 I hereby certify that the within instrument was filed on March 28, 2018 at 12:40 PM

Janel Timm, Yellow Medicine County Recorder

By *[Signature]* Deputy

Statement of Evidence

In 1871, Lewis Harrington did the original subdivision of the township.

In March, 1912, John Norgaard, County Surveyor, located the corner at proportionate distances between the section corners. It is not on line. He set a red brick on the north side of the road.

On August 11, 2017, Bueltel-Moseng Land Surveying dug with a backhoe. We found nothing. We set a 5/8" iron with seal #43844 by going 6'± (average width of a township road) north of the center of the road and the recorded distance from the northwest corner of Section 19-115-45. The recorded distance from the west is in line with the occupation line to the north.

CERTIFICATE OF LOCATION OF GOVERNMENT CORNER

NORTHEAST Corner of Section 19, Township 115, Range 45, 5TH P.M.

STATE OF MINNESOTA, County of YELLOW MEDICINE

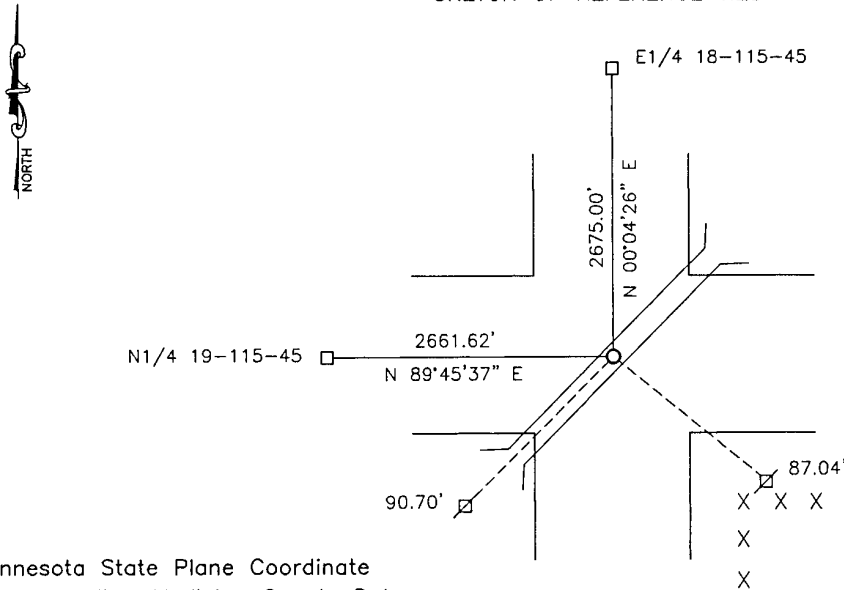
At the corner location shown on the sketch:

On 08-11-2017 found a BRIDGE SPIKE
DATE

left monument as found, lowered monument, removed monument (explain)

On 08-11-2017 placed a 5/8" IRON WITH SEAL #43844.
DATE

SKETCH OF REFERENCE TIES



Minnesota State Plane Coordinate
System Yellow Medicine County Datum
NAD83 (1996)

N: 180469.886
E: 391408.876

Nail and bottle cap in utility pole SW 90.70'
Nail and bottle cap in utility pole SE 87.04'

Statement of evidence relative to this corner location is on back of page.

I hereby certify that this document and the data contained herein was prepared by me or under my direct supervision.

Wendy Smith 3/12/18
SIGNATURE DATE

Registration No. 43844

Land Surveyor, Professional Engineer
 County Surveyor, County Engineer

Doc# 268114 Fee: \$0.00 2 Pages

Property & Public Services
Property Records Division
Yellow Medicine County, Minnesota
I hereby certify that the within instrument was filed on March 28, 2018 at 12:35 PM

Janel Timm, Yellow Medicine County Recorder

By *Kelly Kauger* Deputy

Statement of Evidence

In 1871, Lewis Harrington did the original subdivision of the township.

In March, 1912, John Norgaard, County Surveyor, found the corner.

In 1931, John Norgaard, County Surveyor, located the corner in the center of the roads to the north, south, east, and west. The monument that he found in 1912 had been dug out during construction.

On August 11, 2017, Bueltel-Moseng Land Surveying found a large bridge spike in the center of the intersection. We removed the spike and set a 5/8" iron with seal #43844 in its place. We did not dig, there is a culvert directly under the center of the intersection.

Corners to be Indexed

N1/4 SEC. 20-115-45
NE SEC. 20-115-45
E1/4 SEC. 20-115-45
SW SEC. 20-115-45 (NE 30-115-45)

Doc# 280448 Fee: \$0.00 2 Pages
Property & Public Services
Property Records Division
Yellow Medicine County, Minnesota
I hereby certify that the within instrument
was filed on July 3, 2023 at 9:00 AM

I hereby certify that this document and the data
contained herein was prepared by me or under
my direct supervision

[Signature]

6/30/2023
Date

Daniel L. Bueltel
License No. 43844

Janel Timm, Yellow Medicine County Recorder

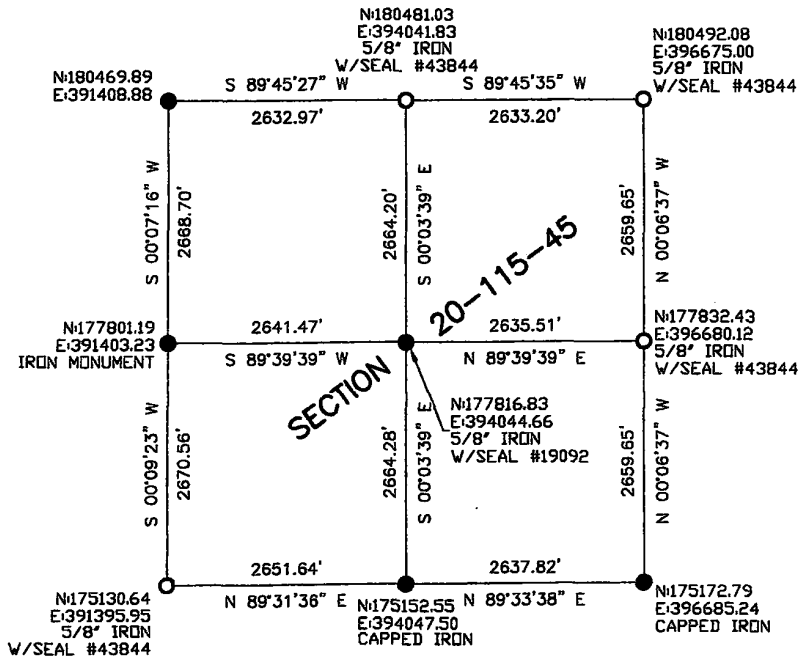
By Marit Nordang Deputy

CERTIFICATE OF LOCATION OF GOVERNMENT CORNER

Land survey monuments situated in Section 20, Township 115, Range 45, 5TH P.M.
STATE OF MINNESOTA, County of YELLOW MEDICINE



- FOUND MONUMENT
- SET MONUMENT



Yellow Medicine County Coordinate System (1996 Adj.)

Statement of Evidence

N1/4 20-115-45

In 1858, W.J. Neely layed out the township lines.

In June of 1871, Lewis Harrington subdivided the township.

On June 14, 2023 Bueltel-Moseng Land Surveying searched and found a bent $\frac{5}{8}$ " iron. We removed the iron and searched below and found nothing. We accepted the position of the iron and set a $\frac{5}{8}$ " iron with seal #43844, corner lined up with occupation lines to the north and south.

NE COR. 20-115-45

In 1858, W.J. Neely layed out the township lines.

In June of 1871, Lewis Harrington subdivided the township.

In 1945, Yellow Medicine County highway records show ties to the corner.

On June 14, 2023, Bueltel-Moseng Land Surveying found a large spike, removed the spike and found nothing beneath, and all ties from the county records were gone. We accepted the position of the spike and set a $\frac{5}{8}$ " iron with seal #43844, corner fell in the center of the intersection.

E1/4 20-115-45

In 1858, W.J. Neely layed out the township lines.

In June of 1871, Lewis Harrington subdivided the township.

On June 14, 2023, Bueltel-Moseng Land Surveying searched and found nothing at the corner. Set a $\frac{5}{8}$ " iron with seal #43844 midway and on line between the section corners, the corner fell in line with occupation line to the west.

SW 20-115-45 (NE 30-115-45)

In 1858, W.J. Neely layed out the township lines.

In June of 1871, Lewis Harrington subdivided the township.

in April of 1969, Yellow Medicine County highway records show ties to the corner and the monument being 2 feet deep.

On June 14, 2023 Bueltel-Moseng Land Surveying searched and found nothing at the corner. We set a $\frac{5}{8}$ " iron with seal #43844 using the existing ties from the county highway records.

CERTIFICATE OF LOCATION OF GOVERNMENT CORNER

Northeast Corner of Section 21, Township 115N, Range 45W, 5th P.M.

STATE OF MINNESOTA, County of Yellow Medicine

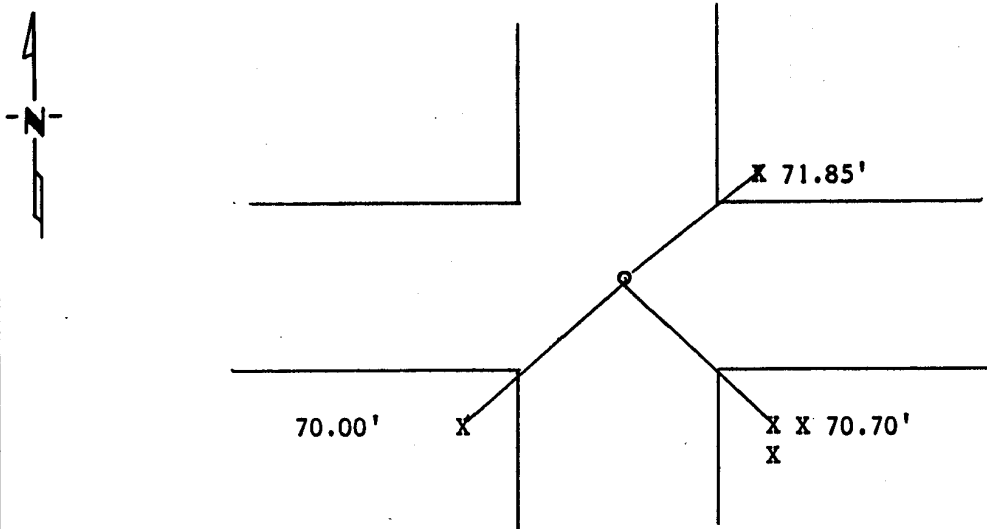
At the corner location shown on the sketch:

On 4/11/88 found a Found a 1 1/2" iron pipe 3' feet below asphalt, no stone.
DATE

left monument as found, lowered monument, removed monument (explain)

On 4/11/88 placed a Set a 5/8" rerod with seal at road surface.
DATE

SKETCH OF REFERENCE TIES



Nail and Seal in Post NE 71.85'
 Nail and Seal in Post SE 70.70'
 Nail and Seal in Post SW 70.00'

Statement of evidence relative to this corner location is on back of page.

I hereby certify that this document and the data contained herein was prepared by me or under my direct supervision.

Lyle E. Mooney 2/22/1989
SIGNATURE DATE

Registration No. 11943
 Land Surveyor, Professional Engineer
 County Surveyor, County Engineer

OFFICE OF THE COUNTY RECORDER
County of Yellow Medicine

I hereby certify that this document was filed in the Co. Recorders office at 10:55 A.M. on the 8 day of November A.D., 19 89

County Recorder Normand Godwin
By _____, Deputy

DOCUMENT NO. 196216

Statement of Evidence:

Corners to be Indexed

NE 22-115-45
N1/4 22-115-45
E1/4 21-115-45
E1/4 22-115-45

Doc# 270373 Fee: \$0.00 2 Pages
Property & Public Services
Property Records Division
Yellow Medicine County, Minnesota
I hereby certify that the within instrument
was filed on March 11, 2019 at 10:25 AM

I hereby certify that this document and the data
contained herein was prepared by me or under
my direct supervision.

[Signature]

2/1/2019
Date

Daniel L. Bueltel
License No. 43844

Janel Timm, Yellow Medicine County Recorder

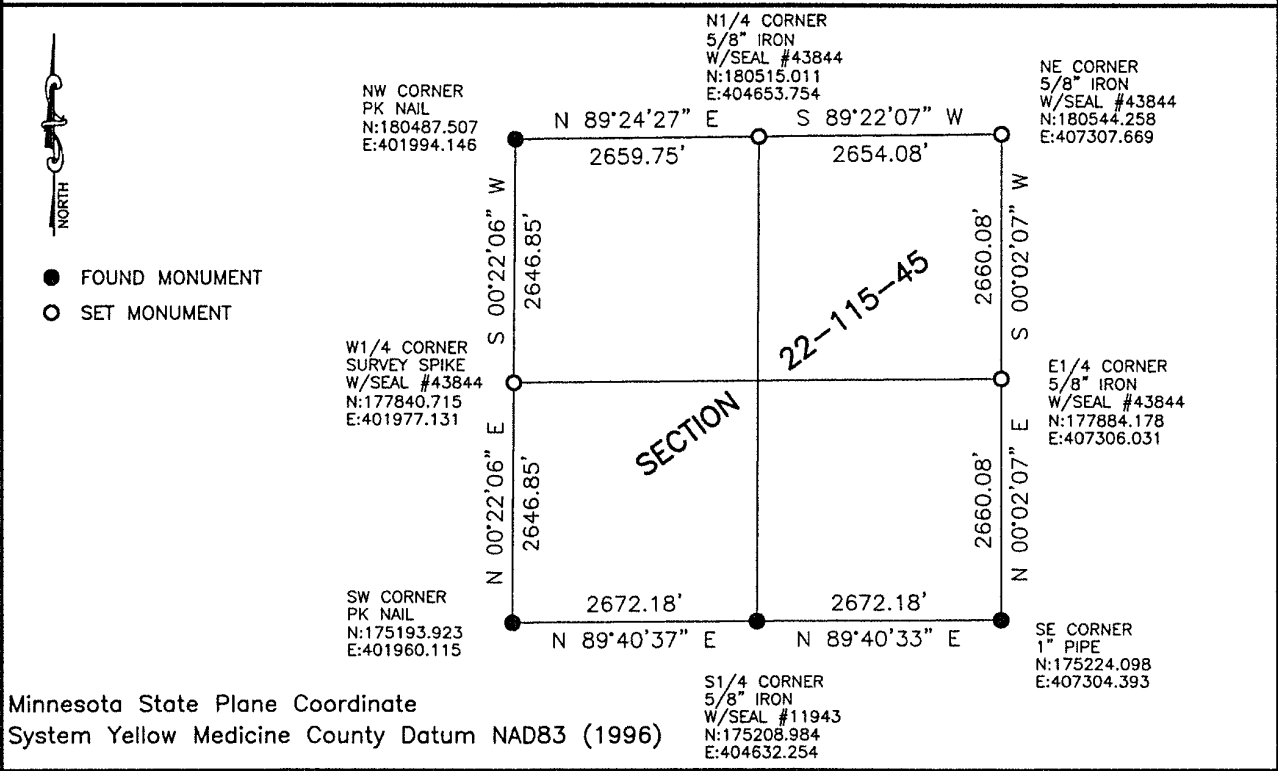
By *[Signature]* Deputy

CERTIFICATE OF LOCATION OF GOVERNMENT CORNER

Land survey monuments situated in Section 22, Township 115, Range 45, 5TH P.M.
STATE OF MINNESOTA, County of YELLOW MEDICINE

STATEMENT OF EVIDENCE:

- 1871 - Original government survey.
- 1904 - John Norgaard set the W1/4 corner.
- 1988 - Moseng Land Surveying dug and found N1/4 corner and NE corner.



Statement of Evidence

NE 22-115-45

In 1871, Lewis Harrington did the original subdivision of the township.

On April 11, 1988, Moseng Land Surveying found a 3/4" iron. We dug with a backhoe and found a field stone. Set a 5/8" iron with seal #11943 over it.

On April 11, 2018, Bueltel-Moseng Land Surveying searched for the corner. We found nothing. The county highway department had done a total grading project on the road. We set a 5/8" iron with seal #43844 using the highway departments coordinates.

N1/4 22-115-45

In 1871, Lewis Harrington did the original subdivision of the township.

On April 11, 1988, Moseng Land Surveying dug with a backhoe and found a large field stone. The set a 5/8" iron with seal #11943 over it.

On April 11, 2018, Bueltel-Moseng Land Surveying searched for the corner. We found nothing. The county highway department had done a total grading project on the road. We set a 5/8" iron with seal using information from the 1988 survey. It is 2'± south of the center of the road.

E1/4 21-115-45 (W1/4 22-115-45)

In 1871, Lewis Harrington did the original subdivision of the township.

On March 31, 1904, John Norgaard set corner midway and on line between the section corners.

On April 11, 2018, Bueltel-Moseng Land Surveying set a 3" suvey spike with seal #43844 midway and on line between the section corners.

E1/4 22-115-45

In 1871, Lewis Harrington did the original subdision of the township.

On April 11, 2018, Bueltel-Moseng Land Surveying set a 5/8" iron with seal #43844 midway and on line between the section corners.

CERTIFICATE OF LOCATION OF GOVERNMENT CORNER

Northeast Corner of Section 22, Township 115N, Range 45W, 5th P.M.

STATE OF MINNESOTA, County of Yellow Medicine

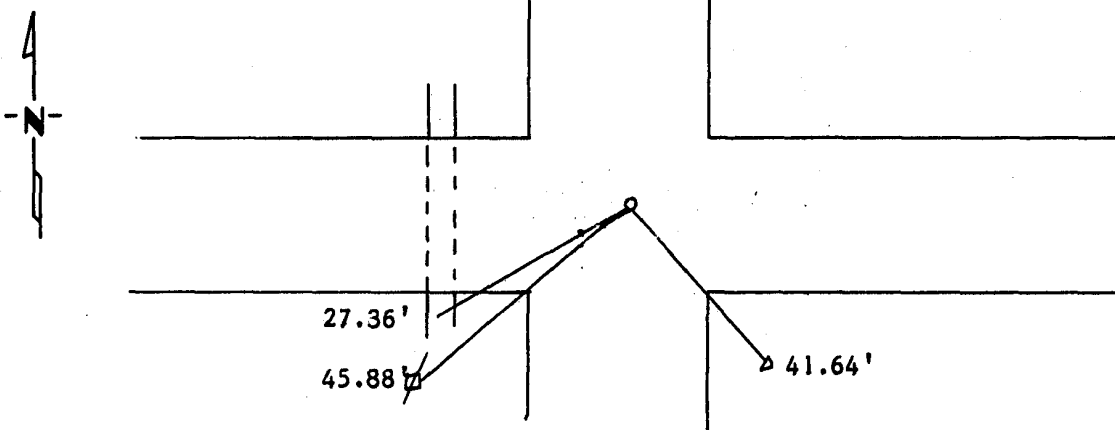
At the corner location shown on the sketch:

On 4/08/88 found a Found a 3/4" iron rod with flagging on it. Dug with
DATE
backhoe found feild stone, 4/11/88

left monument as found, lowered monument, removed monument (explain)

On 4/11/88 placed a 5/8" rerod at road surface.
DATE

SKETCH OF REFERENCE TIES



Nail and Seal in Power Pole	45.88'
Nail and Seal in Telephone Post	41.64'
PK Nail in CMP	27.36'

Statement of evidence relative to this corner location is on back of page.

I hereby certify that this document and the data contained herein was prepared by me or under my direct supervision.

Lyle E. Mooney 2/22/1989
SIGNATURE DATE

Registration No. 21943

- Land Surveyor, Professional Engineer
- County Surveyor, County Engineer

OFFICE OF THE COUNTY RECORDER
County of Yellow Medicine

I hereby certify that this document was filed in the Co. Recorders office at 11:05 A.M. on the 8 day of November A.D., 19 89

County Recorder Norman J. Quade

By _____, Deputy

DOCUMENT NO. 196218

Statement of Evidence:

CERTIFICATE OF LOCATION OF GOVERNMENT CORNER

North Quarter _____ Corner of Section 22, Township 115N, Range 45W, 5th P.M.

STATE OF MINNESOTA, County of Yellow Medicine

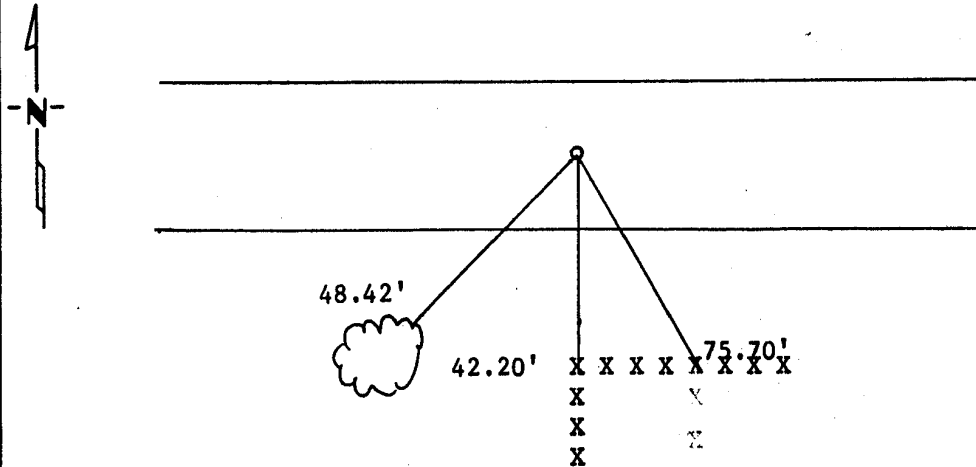
At the corner location shown on the sketch: -

On 4/11/88 found a Found a large 18" X 18" X 10" field stone.
DATE

left monument as found, lowered monument, removed monument (explain)

On 4/11/88 placed a I placed a 5/8" rerod with seal.
DATE

SKETCH OF REFERENCE TIES



Nail and Seal in Fence Post	75.70'
Nail and Seal in Fence Post	42.20'
Nail and Seal in 18" Poplar	48.42'

Statement of evidence relative to this corner location is on back of page.

I hereby certify that this document and the data contained herein was prepared by me or under my direct supervision.

Lyle C. Moring 2/22/1989
SIGNATURE DATE

Registration No. 11943
 Land Surveyor, Professional Engineer
 County Surveyor, County Engineer

OFFICE OF THE COUNTY RECORDER
County of Yellow Medicine

I hereby certify that this document was filed in the Co. Recorders office at 11:00 A.M. on the 8 day of November A.D., 19 89

County Recorder Norman Goddard

By _____, Deputy

DOCUMENT NO. 196217

Statement of Evidence:

CERTIFICATE OF LOCATION OF GOVERNMENT CORNER

Northeast _____ Corner of Section 26 _____, Township 115N _____, Range 45W _____, 5th P.M.

STATE OF MINNESOTA, County of Yellow Medicine

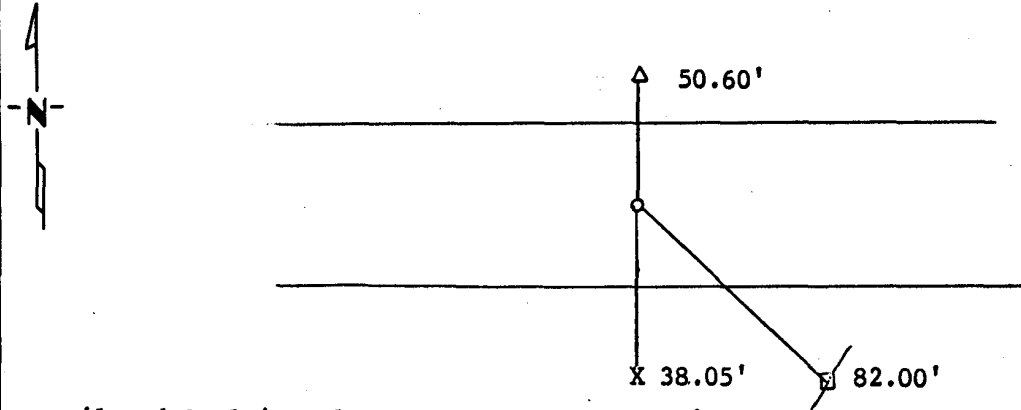
At the corner location shown on the sketch:

On 4/04/88 found a Granite stone. Dug with back hoe.
DATE

left monument as found, lowered monument, removed monument (explain)

On 4/04/88 placed a 1 set a 1 1/4" pipe with seal on top of it.
DATE

SKETCH OF REFERENCE TIES



Nail and Seal in Telephone Pedastal N 50.60'
 Nail and Seal in Power Pole SE 82.00'
 Nail and Seal in Fence Post S 38.05'

Statement of evidence relative to this corner location is on back of page.

I hereby certify that this document and the data contained herein was prepared by me or under my direct supervision.

Lyle E. Mooring 2/22/1989
SIGNATURE DATE
Registration No. 11943

Land Surveyor, Professional Engineer
 County Surveyor, County Engineer

OFFICE OF THE COUNTY RECORDER

County of Yellow Medicine

I hereby certify that this document was filed in the Co. Recorders office at 11:15 A.M. on the 8 day of November A.D., 19 89

County Recorder Norman G. Groll

By _____, Deputy

DOCUMENT NO. 196220

Statement of Evidence:

23-74

Index No. _____

CERTIFICATE OF LOCATION OF GOVERNMENT CORNER

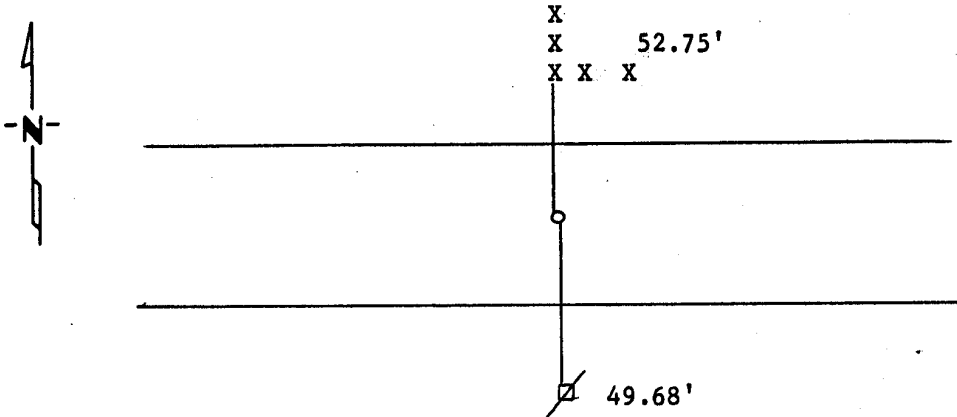
North Quarter _____ Corner of Section 26, Township 115N, Range 45W, 5th P.M.

STATE OF MINNESOTA, County of Yellow Medicine

At the corner location shown on the sketch:

- On _____ found a _____
DATE
- left monument as found, lowered monument, removed monument (explain)
- On 3/31/88 placed a 1 set 5/8" rebar with seal midway and on line
DATE between section corners. I did not dig.

SKETCH OF REFERENCE TIES



Nail and Seal in Power Pole N 52.75'
Nail and Seal in Corner Fence Post S 49.68'

Statement of evidence relative to this corner location is on back of page.

I hereby certify that this document and the data contained herein was prepared by me or under my direct supervision.

Lyle E. Moring 2/22/1989
SIGNATURE DATE

Registration No. 11943

- Land Surveyor, Professional Engineer
- County Surveyor, County Engineer

OFFICE OF THE COUNTY RECORDER
County of Yellow Medicine

I hereby certify that this document was filed in the Co. Recorders office at 11:10 A.M. on the 8 day of November A.D., 19 89

County Recorder Norman J. Opdahl

By _____, Deputy

DOCUMENT NO. 196219

Statement of Evidence:

[Empty box for Statement of Evidence]

2025 RELEASE UNDER E.O. 14176

2025 RELEASE UNDER E.O. 14176

CERTIFICATE OF LOCATION OF GOVERNMENT CORNER

Northeast Corner of Section 27, Township 115N, Range 45W, 5th P.M.

STATE OF MINNESOTA, County of Yellow Medicine

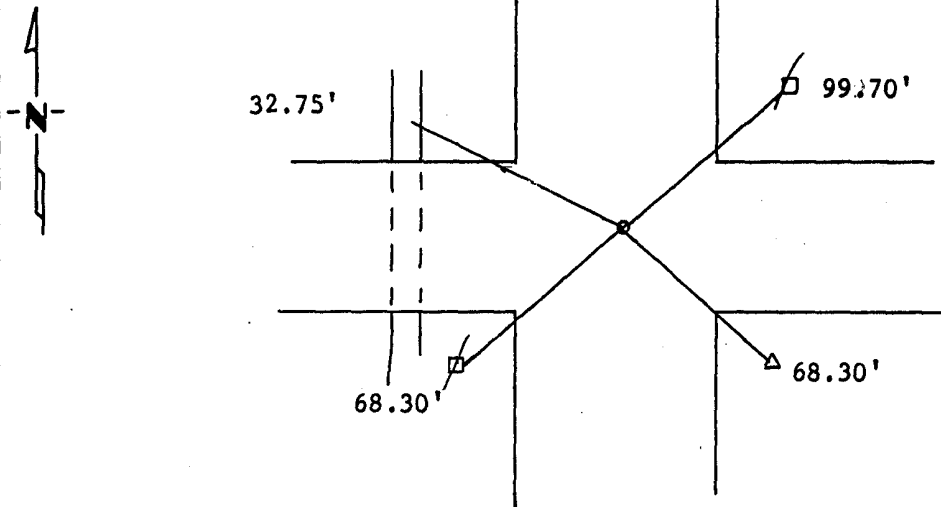
At the corner location shown on the sketch:

On 4/04/88 found a Granite stone with feild stone on top of it.
DATE

left monument as found, lowered monument, removed monument (explain)

On 4/04/88 placed a 1 1/4" pipe with seal on top of it.
DATE

SKETCH OF REFERENCE TIES



PK Nail in CMP NW 32.75'
 Nail and Seal in Power Pole NE 99.70'
 Nail and Seal in Power Pole SW 68.30'
 Nail and Seal in Telephone Pedastal SE 68.30'

Statement of evidence relative to this corner location is on back of page.

I hereby certify that this document and the data contained herein was prepared by me or under my direct supervision.

Leif E. Mooney 2/22/1989
SIGNATURE DATE
Registration No. 11943

Land Surveyor, Professional Engineer
 County Surveyor, County Engineer

OFFICE OF THE COUNTY RECORDER
County of Yellow Medicine

I hereby certify that this document was filed in the Co. Recorders office at 11:25 A.M. on the 8 day of November A.D., 1988

County Recorder Norman Spadell

By _____, Deputy

DOCUMENT NO. 196222

Statement of Evidence:

1. [Illegible text]

2. [Illegible text]

CERTIFICATE OF LOCATION OF GOVERNMENT CORNER

East Quarter Corner of Section 27, Township 115N, Range 45W, 5th P.M.

STATE OF MINNESOTA, County of Yellow Medicine

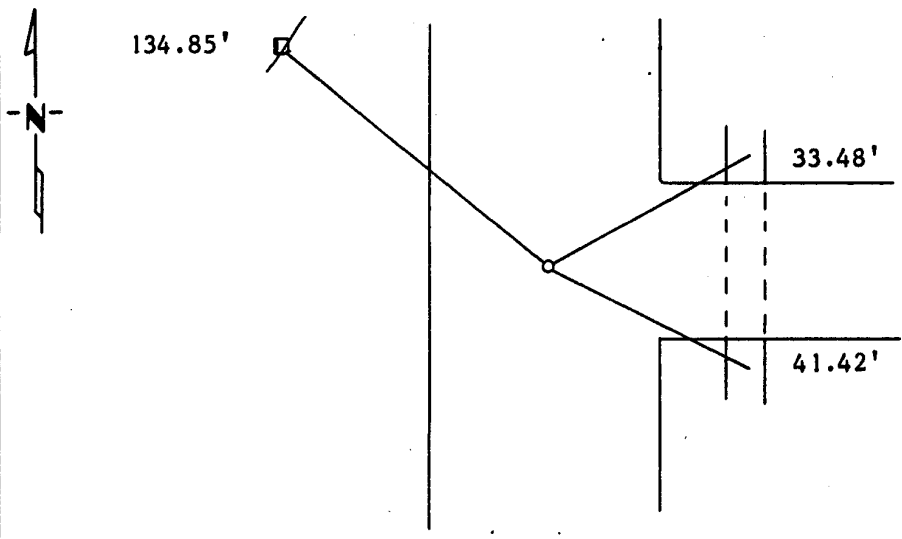
At the corner location shown on the sketch:

On _____ found a _____
DATE

left monument as found, lowered monument, removed monument (explain)

On 3/31/88 placed a I set a 5/8" rerod with seal midway and on line
DATE
between section corners. I did not dig.

SKETCH OF REFERENCE TIES



Nail and Seal in Power Pole NW	134.85'
PK Nail in 30" CMP NE	33.48'
PK Nail in 30" CMP SE	41.42'

Statement of evidence relative to this corner location is on back of page.

I hereby certify that this document and the data contained herein was prepared by me or under my direct supervision.

Lyle E. Mosing SIGNATURE 2/22/1989 DATE

Registration No. 11943
 Land Surveyor, Professional Engineer
 County Surveyor, County Engineer

OFFICE OF THE COUNTY RECORDER
County of Yellow Medicine

I hereby certify that this document was filed in the Co. Recorders office at 11:20 A.M. on the 8 day of November A.D., 19 89

County Recorder Norm J. Gude
By _____, Deputy

DOCUMENT NO. 196221

Statement of Evidence:

CERTIFICATE OF LOCATION OF GOVERNMENT CORNER

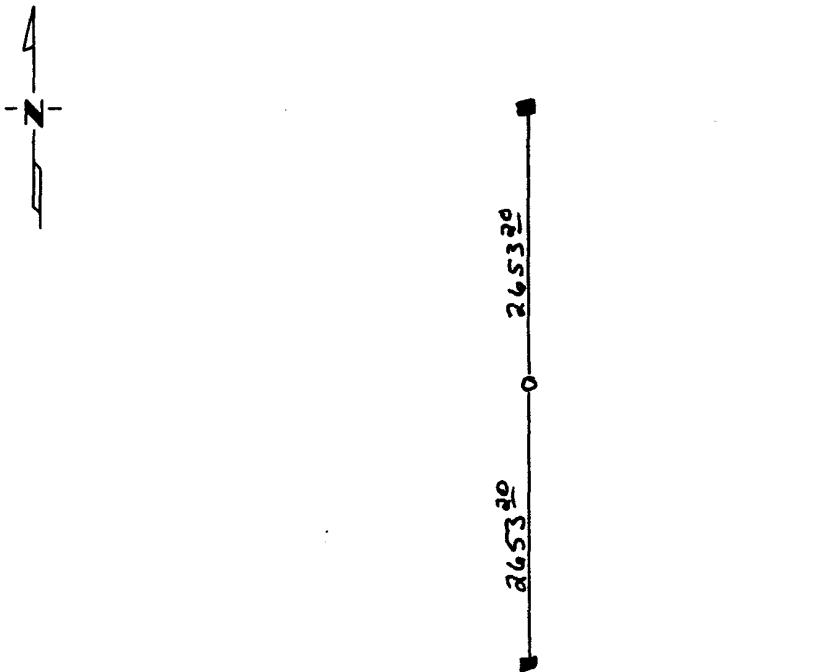
East Quarter _____ Corner of Section 28, Township 115, Range 45, 5th P.M.

STATE OF MINNESOTA, County of Yellow Medicine

At the corner location shown on the sketch:

- On _____ found a _____
DATE
- left monument as found, lowered monument, removed monument (explain)
- On Dec. 27, 1994 placed a 5/8" iron stake w/seal #11943 midway and on line.
DATE

SKETCH OF REFERENCE TIES



Statement of evidence relative to this corner location is on back of page.

I hereby certify that this document and the data contained herein was prepared by me or under my direct supervision.

Lyle C Mosing 4-10-95
SIGNATURE DATE

Registration No. 11943
 Land Surveyor, Professional Engineer
 County Surveyor, County Engineer

OFFICE OF THE COUNTY RECORDER
County of Yellow Medicine

I hereby certify that this document was filed in the Co. Recorders office at 10:05 A.M. on the 30 day of June A.D., 19 95

County Recorder Dorothy Goodale
By _____, Deputy

DOCUMENT NO. 209408

Statement of Evidence:

John Norgaard (County Surveyor who resurveyed Yellow Medicine County in the early 1900s) always established the quarter corners midway and on line between the section corners.

This was a blacktop road with no record of a corner, I did not dig but set the corner midway and on line, the corner is in line with a quarter line fence to the east.

The corner is along the east side of the road, because the road curves around a building site.

CERTIFICATE OF LOCATION OF GOVERNMENT CORNER

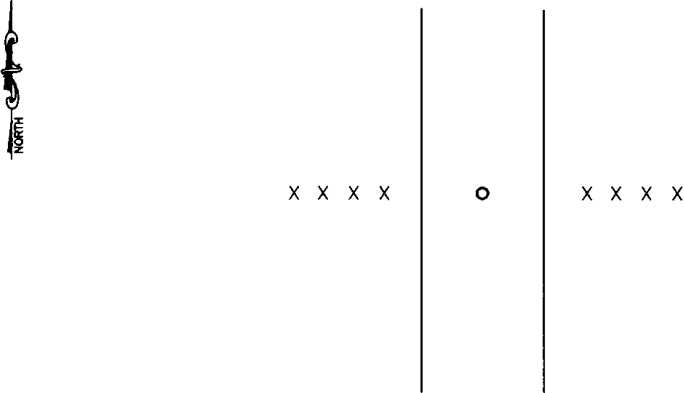
EAST QUARTER Corner of Section 29, Township 115, Range 45, 5TH P.M.

STATE OF MINNESOTA, County of YELLOW MEDICINE

At the corner location shown on the sketch:

- On _____ found a _____
DATE
- left monument as found, lowered monument, removed monument (explain)
- On MAY 22, 2007 placed a 5/8" REROD WITH SEAL #43844
DATE

SKETCH OF REFERENCE TIES



Minnesota State Plane Coordinate
 System Yellow Medicine County Datum
 NAD83 (1996)
 N: 172513.480
 E: 396682.931

Statement of evidence relative to this corner location is on back of page.

I hereby certify that this document and the data contained herein was prepared by me or under my direct supervision.

[Signature] 7/13/07
 SIGNATURE DATE

Registration No. 43844
 Land Surveyor, Professional Engineer
 County Surveyor, County Engineer

OFFICE OF THE COUNTY RECORDER
County of _____

I hereby certify that this document was filed in the Co. Recorders office at _____ .M on the _____ day of _____ A.D. 20 _____

County Recorder _____
 By _____, Deputy
 DOCUMENT NO. _____

Statement of Evidence

Nothing previously recorded.

On May 22, 2007 Bueltel Moseng Land Surveying dug with a backhoe and found nothing. We set a $\frac{3}{8}$ " rerod with seal #43844 midway and in the center of the road.

Doc# 244529 Fee: \$0.00 2 Pages

Office of County Recorder
Yellow Medicine County, Minnesota
I hereby certify that the within instrument
was filed on December 7, 2007 at 02:15 PM

Kay Zempel, Yellow Medicine County Recorder

BY Delva Blood Deputy

N/C
Bueltel-Moseng Land Surveying
P.O. Box 32
Marshall, MN 56258

CERTIFICATE OF LOCATION OF GOVERNMENT CORNER

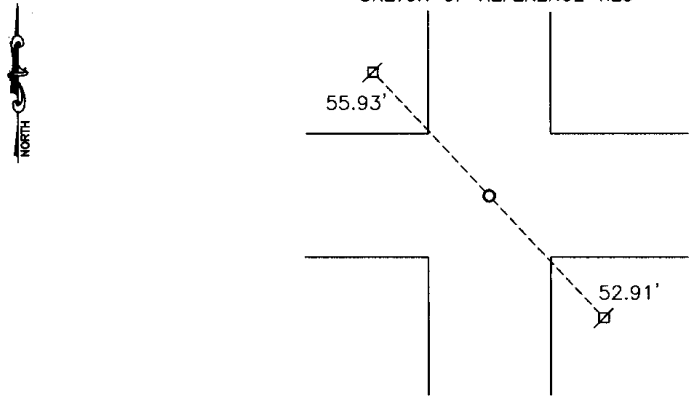
NORTHEAST Corner of Section 29, Township 115, Range 45, 5TH P.M.

STATE OF MINNESOTA, County of YELLOW MEDICINE

At the corner location shown on the sketch:

- On MAY 22, 2007 found a 5/8" REROD WITH SEAL
DATE
- left monument as found, lowered monument, removed monument (explain)
- On _____ placed a _____
DATE

SKETCH OF REFERENCE TIES



Minnesota State Plane Coordinate
 System Yellow Medicine County Datum
 NAD83 (1996)
 N: 175172.787
 E: 396685.242

NAIL AND SEAL IN POWER POLE NORTHWEST 55.93'
 NAIL AND SEAL IN POWER POLE SOUTHEAST 52.91'

Statement of evidence relative to this corner location is on back of page.

I hereby certify that this document and the data contained herein was prepared by me or under my direct supervision.

[Signature] 7/13/07
 SIGNATURE DATE

Registration No. 43844

- Land Surveyor, Professional Engineer
- County Surveyor, County Engineer

OFFICE OF THE COUNTY RECORDER
County of _____

I hereby certify that this document was filed in the Co. Recorders office at _____ .M on the _____ day of _____ A.D. 20 _____

County Recorder _____

By _____, Deputy

DOCUMENT NO. _____

Statement of Evidence

In 1945 a stone marker was placed.

On May 22, 2007 Bueltel Moseng Land Surveying found Mark Herd rerod with seal in the center of the road at the surface. We pulled the rerod and dug with a backhoe (Galen Hegg) and found nothing. We replaced the rerod and seal to its original found location.

Doc# 244528 Fee: \$0.00 2 Pages

Office of County Recorder
Yellow Medicine County, Minnesota
I hereby certify that the within instrument
was filed on December 7, 2007 at 02:10 PM

Kay Zempel, Yellow Medicine County Recorder

BY Debra Blood Deputy

N/C
Bueltel-Moseng Land Surveying
P.O. Box 32
Marshall, MN 56258

CERTIFICATE OF LOCATION OF GOVERNMENT CORNER

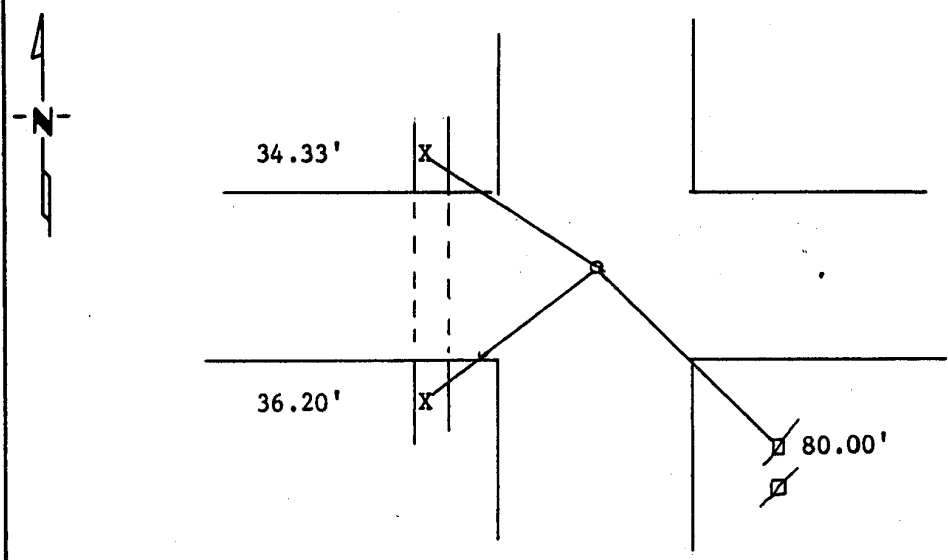
Northeast Corner of Section 34, Township 115N, Range 45W, 5th P.M.

STATE OF MINNESOTA, County of Yellow Medicine

At the corner location shown on the sketch:

- On 3/28/88 found a 6"X 6" Granite stone.
DATE
- left monument as found, lowered monument, removed monument (explain)
- On 4/16/88 placed a 1 1/4" pipe with seal on top of it.
DATE

SKETCH OF REFERENCE TIES



X in Concrete Culvert NW 34.33'
 X in Concrete Culvert SW 36.20'
 Nail and Seal in Power Pole SE 80.00'

Statement of evidence relative to this corner location is on back of page.

I hereby certify that this document and the data contained herein was prepared by me or under my direct supervision.

Leif E. Mooney 2/22/1989
SIGNATURE DATE

Registration No. 11943

Land Surveyor, Professional Engineer

County Surveyor, County Engineer

OFFICE OF THE COUNTY RECORDER
County of Yellow Medicine

I hereby certify that this document was filed in the Co. Recorders office at 11:30 A.M. on the 8 day of November A.D., 19 88

County Recorder Thomas G. Gode

By _____, Deputy

DOCUMENT NO. 196223

Statement of Evidence:

23-75

Index No. _____

CERTIFICATE OF LOCATION OF GOVERNMENT CORNER

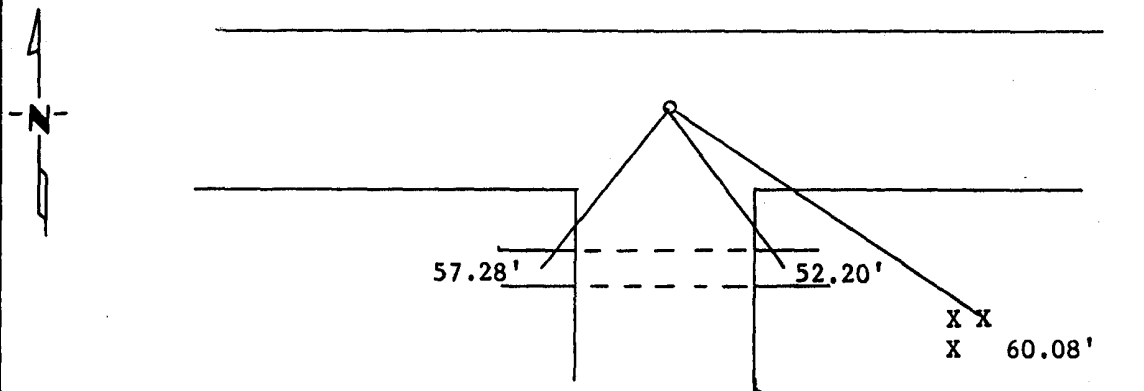
Northeast Corner of Section 35, Township 115N, Range 45W, 5th P.M.

STATE OF MINNESOTA, County of Yellow Medicine

At the corner location shown on the sketch:

- On 4/04/88 found a 6"X 6" square Granite stone with two feild stones on top of it. the Granite stone is 2' below road.
DATE
- left monument as found, lowered monument, removed monument (explain)
- On 4/04/88 placed a I could not put the feild stones on top and get a pipe in so I removed them and put 1 1/4" pipe with seal on top of it. Granite Stone
DATE

SKETCH OF REFERENCE TIES



PK Nail in 18" CMP SW 57.28'
 PK Nail in 18" CMP SE 52.20'
 Nail and Seal in Fence Post SE 60.08'

Statement of evidence relative to this corner location is on back of page.

I hereby certify that this document and the data contained herein was prepared by me or under my direct supervision.

Lytle E. Mooring 2/22/1989
SIGNATURE DATE

Registration No. 11943

- Land Surveyor, Professional Engineer
- County Surveyor, County Engineer

OFFICE OF THE COUNTY RECORDER
County of Yellow Medicine

I hereby certify that this document was filed in the Co. Recorders office at 11:40 A.M. on the 8 day of November A.D., 19 89

County Recorder Norm O'Fallon

By _____, Deputy

DOCUMENT NO. 196225

Statement of Evidence:

[Empty box for statement of evidence]

C

10

CERTIFICATE OF LOCATION OF GOVERNMENT CORNER

North Quarter _____ Corner of Section 35, Township 115N, Range 45W, 5th P.M.

STATE OF MINNESOTA, County of Yellow Medicine

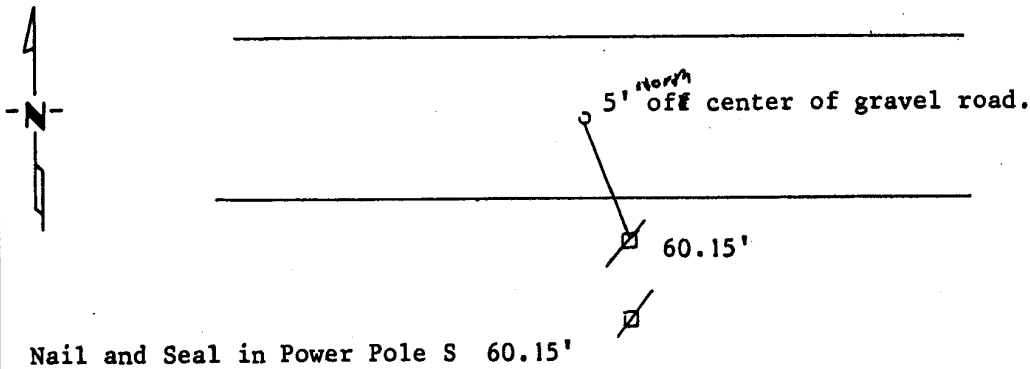
At the corner location shown on the sketch:

On _____ found a _____
DATE

left monument as found, lowered monument, removed monument (explain)

On 4/06/88 placed a I set a 5/8" rerod with seal midway and on line
DATE between section corners. I did not dig.

SKETCH OF REFERENCE TIES



Statement of evidence relative to this corner location is on back of page.

I hereby certify that this document and the data contained herein was prepared by me or under my direct supervision.

Lyle E. Mosenz 2/22/1989
SIGNATURE DATE

Registration No. 11943

Land Surveyor, Professional Engineer

County Surveyor, County Engineer

OFFICE OF THE COUNTY RECORDER

County of Yellow Medicine

I hereby certify that this document was filed in the Co. Recorders office at 11:35 A.M. on the 8 day of November A.D., 19 89

County Recorder Norman Odore

By _____, Deputy

DOCUMENT NO. 196224

Statement of Evidence:

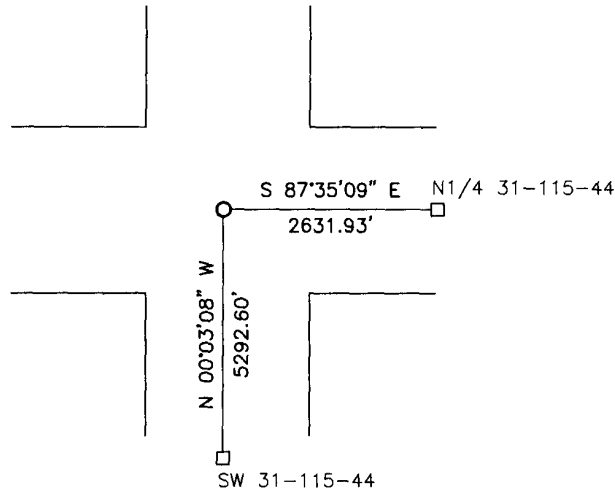
CERTIFICATE OF LOCATION OF GOVERNMENT CORNER

NORTHEAST Corner of Section 36, Township 115, Range 45, 5TH P.M.
 STATE OF MINNESOTA, County of YELLOW MEDICINE

At the corner location shown on the sketch:

- On 6/5/13 found a 6"X6"X18" granite monument
DATE
- left monument as found, lowered monument, removed monument (explain)
- On 6/5/13 placed a 5/8" iron w/seal 43844
DATE

SKETCH OF REFERENCE TIES



Minnesota State Plane Coordinate
 System Yellow Medicine County Datum
 NAD83 (1996)
 N: 169903.240
 E: 417893.119

Statement of evidence relative to this corner location is on back of page.

I hereby certify that this document and the data contained herein was prepared by me or under my direct supervision.

James H. Burk
SIGNATURE

2/4/14
DATE

Registration No. 43844

- Land Surveyor, Professional Engineer
- County Surveyor, County Engineer

OFFICE OF THE COUNTY RECORDER

County of _____

I hereby certify that this document was filed in the Co. Recorders office at _____ .M on the _____ day of _____ A.D. 20 _____

County Recorder _____

By _____, Deputy

DOCUMENT NO. _____

Statement of Evidence

In 1858, W.J. Neely did the original survey of the west line of the township.

On June 5, 2013, Bueltel-Moseng Land Surveying dug with backhoe and found a 12" field stone. We removed the field stone, continued digging, and found a 6"x6"x18" granite monument below. We placed an iron on the south side of granite monument and placed a 5/8" iron with seal #43844 at the surface of the road.

Doc# 259454 Fee: \$0.00 2 Pages

Property & Public Services
Property Records Division
Yellow Medicine County, Minnesota
I hereby certify that the within instrument
was filed on February 6, 2014 at 10:30 AM

Janel Timm, Yellow Medicine County Recorder

By Janel Rohlik Deputy